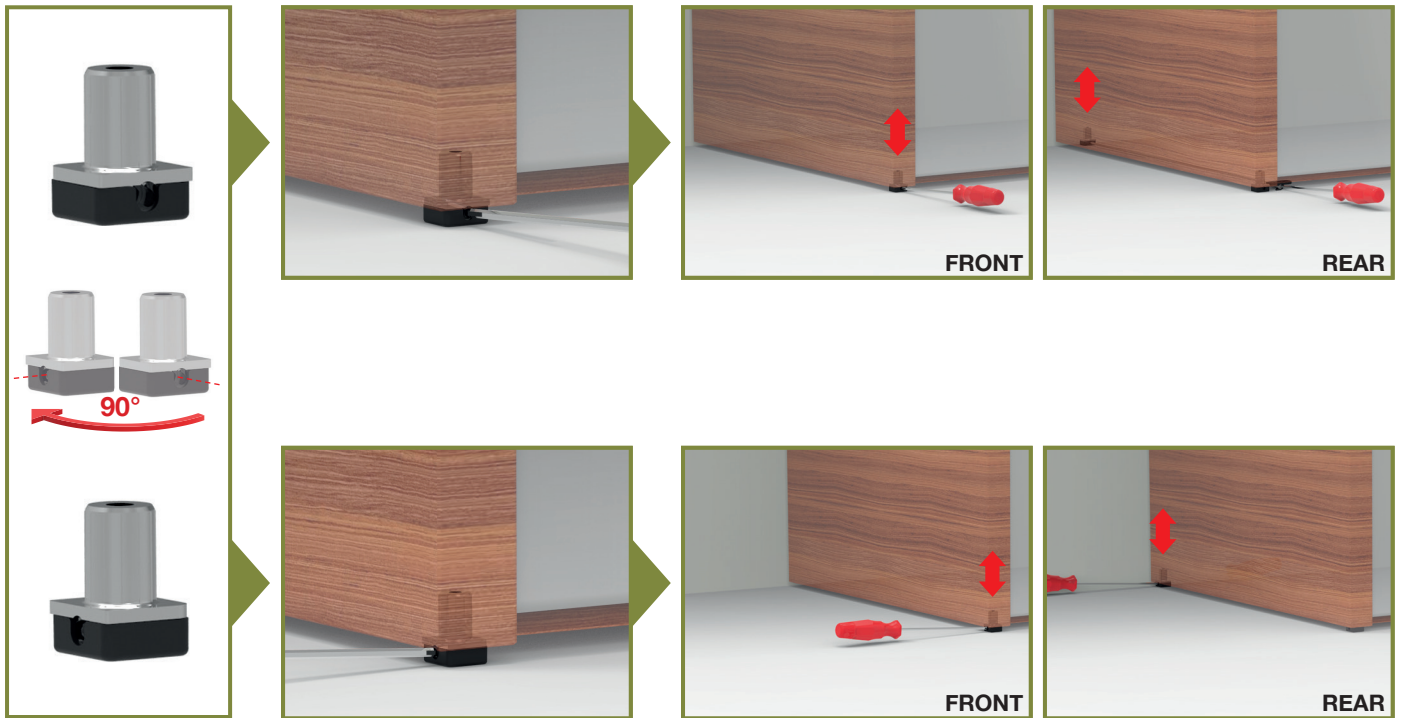


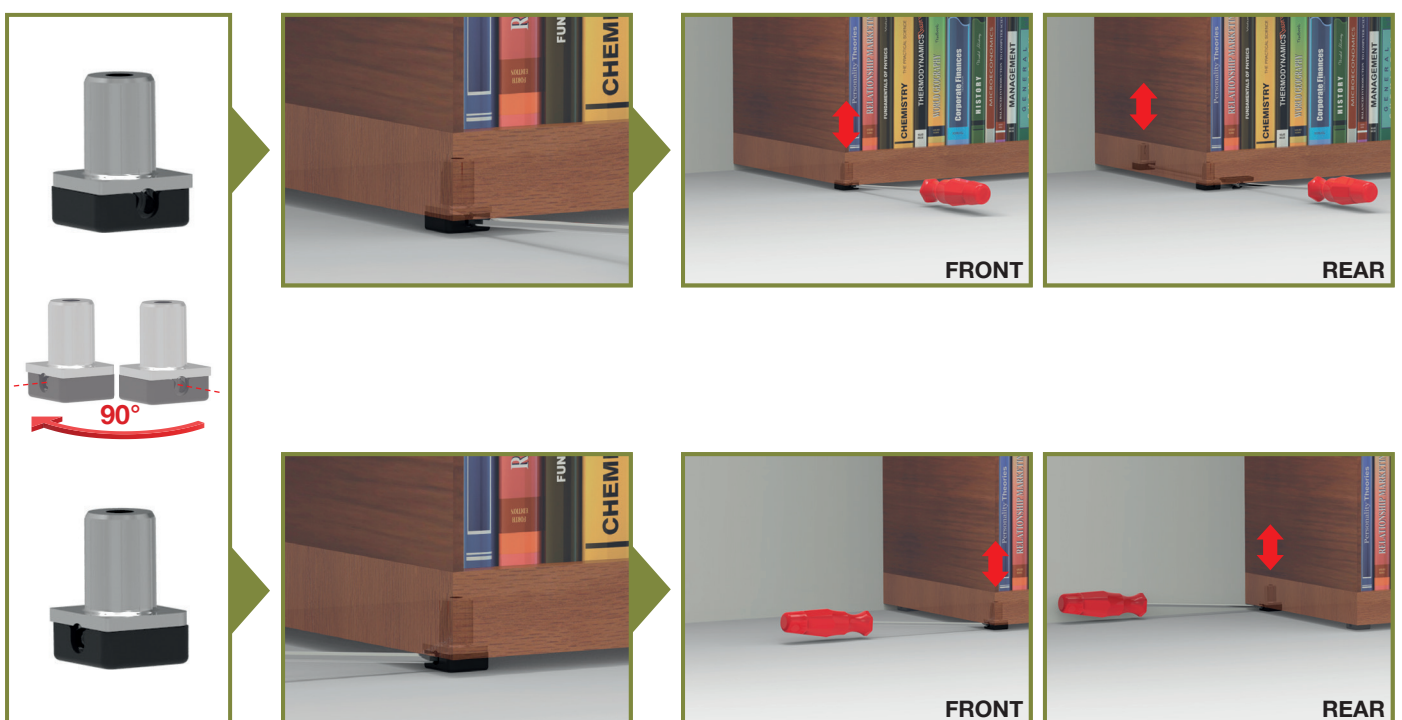
# LEVELLER

ART. 316

## SIDE PANEL



## BOTTOM PANEL



# 316 16 18 12 R3

**New**

Ø16mm

+8mm  
0mm

4

Fe

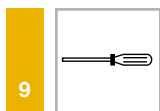
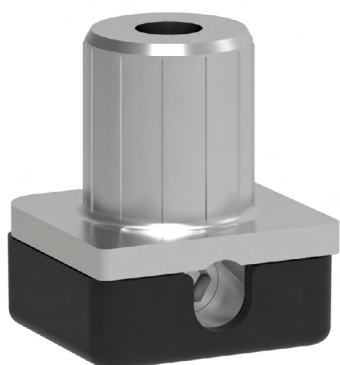
PP

ZAMAK

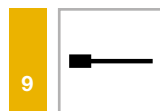
 100

 4800

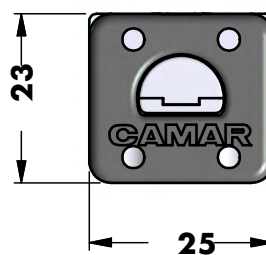
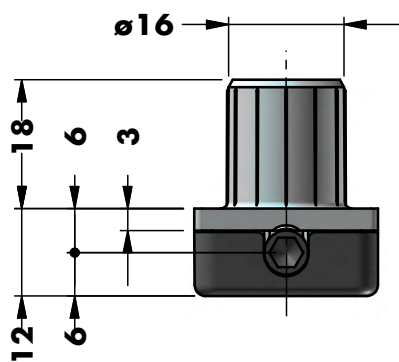
 400



809 20 C1 04 00  640

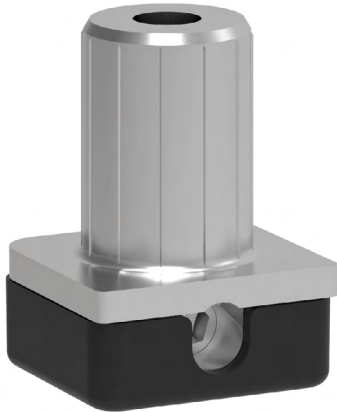


809  Z1 M8 00  638



# 316 16 23 12 R3

New



Ø16mm	+13mm 0mm	4
Fe	PP	ZAMAK



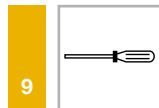
100




4800



400



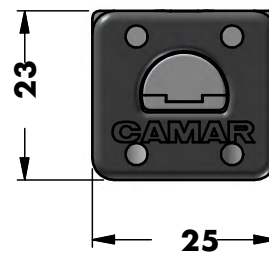
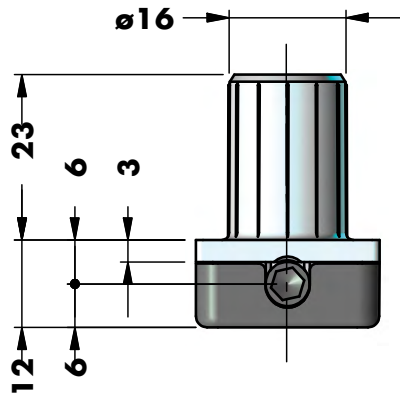
9

809 20 C1 04 00  640



9

809  Z1 M8 00  638



# 316 16 35 12 R1

**New**



Ø16mm	+15mm 0mm	4
-------	--------------	---

Fe	PP	ZAMAK
----	----	-------

100

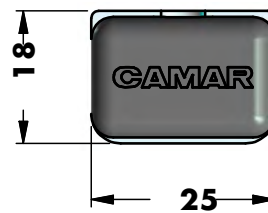
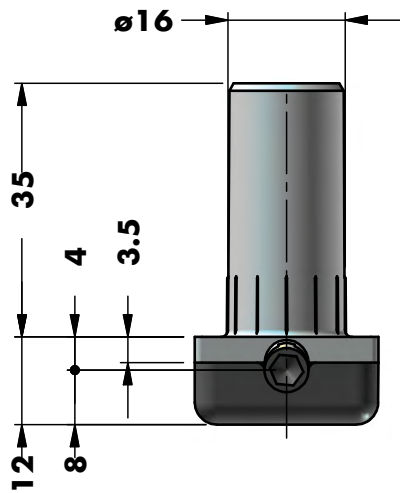
7200

400



9		809 20 C1 04 00  640
---	--	----------------------

9		809  Z1 M8 00  638
---	--	--------------------



# 809 □ Z1 M8 00

Lcm

**New**



30



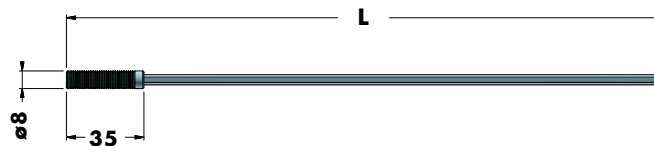
1800



60



599 00 P2 MR 02  618



**CAMAR**

4.1.1 | 638

# 599 00 P2 MR 02

**New**



PA6

 400

 14400

 400

