



LEDBELYSNING

BELYSNINGSSYSTEM MED PLUG AND PLAY

THEOFILS

The publication, in particular reproduction, reprint and filing on electronic media, including extracts, requires explicit permission from L&S Germany.

Dimensions specified and technical drawings in this catalog are non-binding. Errors and changes in the construction are reserved.

All dimensions are in MM, unless otherwise specified.

Please note our sale, shipping, and payment terms, more details on www.ls-light.de.

PUBLISHER:

L&S Deutschland GmbH
Daimlerring 34
D-32289 Rödinghausen

Phone: +49 5223 / 8790-0
E-Mail: info@ls-light.de
Web: www.ls-light.de
www.ls-light.com

1. Edition February 2024
© by L&S Deutschland GmbH
All rights reserved.

LED Strips

Page 18

Profiles

Page 60

Linear Lights

Page 74

Mirrors & Shelves

Page 102

Spot Lights

Page 112

Special Lights

Page 162

Controls

Page 174

Accessories

Page 234

Index.

Intro 6

L&S the company 6
Portfolio 8

One source,
multiple services 10
Lighting Technology 12

Emotion Technology 14
Certifications 16

LED strips 18

Tudo HE 24 V 20
Tudo 12 V 34
COB 24 V 44
COB 12 V 46

Octopus 24 V 47
Octopus 12 V 51
Wave M 53
Wave C 54

Strip Flex 55
Strip RGB 56
RGB Flex 57
COB RGB/RGBW 58

Octopus RGB 59

Profiles 60

Mec Porto Mini 2 62
Mec Porto 2 62
Mec Manila 62

Mec Manila IV 63
Mec Malindi 63
Mec London 63

Mec Paris 64
Mec Prag 64
Mec Venice Mini 64

Mec Manila Plus R 65
Mec Groove 65

Mec Basic 66
Mec Porto Mini 1 66
Mec Porto 1 66
Mec Bali 67
Mec Quattro Mini 67
Mec Basel 67

Mec WTU 68
Mec ICE 68
Mec Quattro 68
Mec Porto Mini 6 69
Mec Vedua 69
Mec Derby II 69

Mec Porto 3 70
Mec Porto 5 70
Mec Kel 70
Mec Lagos I 71
Meg Lagos II 71
Meg Lagos III 71

Mec Glass 72
Mec Fly 72
Mec Venice A 72
Mec Rack 73
Mec Octopus 73

Linear 74

Malindi 76
Manila IV 78
Mini Noor 2 80
Kel 82

Mini Tubular IC 2 84
Nubio 86
Kiton EDC 88
Derby II 90

Quattro Plus 92
Bali 94
Mec Rack 96
ICE Pendant Light 98

Snite LED 100

Mirrors, Mirror lights & Wall shelves 102

Mono 104
Duo 105

Quattro 106
Round Q 107

Lilium 108
Pavo 110

Spots 112

Chip HE 114	Nova Plus 130	Moonlight HV 144	Planar L 156
Moonlight 118	Superlight 132	Tavos Q 146	Planar S 158
Cora 120	Chip L 134	Tavos R 148	Glasspoint / Woodpoint 160
Panlight 122	Flex Spot 138	Plinthy 150	
Chip 124	Superspot 140	Base 152	
Chip 2 128	Superspot S 142	Matrix 154	

Controls 174

Overview 176	LED converters 210/212	Switching color single color 218	HV switching technology 230
Mec Driver 182	Cables/Distributors 211/213	Dimmable converters 226	
Frankfurt series 196	Emotion switching technology 214	Dali Dimmer 228	

Accessories 234

Toki 236	USB sockets 240	Cable ducts 242
Sockets 230 V 236	Wireless Charger 241	Feeder 243

Info 244

Profile matrix 244	Symbols 245	Info 246	Installation notes 247
Index 248			

L&S DEUTSCHLAND GMBH
RÖDINGHAUSEN, GERMANY
SINCE 2002

L&S ITALIA S.P.A.
BRUGNERA, ITALY
SINCE 1977

FORMA E FUNZIONE S.R.L.
VARESE, ITALY
SINCE 1960

L&S LIGHTING CORPORATION
ATLANTA, USA
SINCE 2011

5

PRODUCTION SITES AND
COMMERCIAL SITES

45+

YEARS OF EXPERIENCE

4

SPECIALIST R&D DEPARTMENTS

100+

NEW PRODUCTS PER YEAR

50+

COUNTRIES SERVED

500+

EMPLOYEES

1.800

SQM OF SHOWROOM

30.000

SQM OF PRODUCTION AREA

One international Group, serving the global market.

●
L&S LIGHTING EQUIPMENT
SHANGHAI, CHINA
SINCE 2006

L&S Lighting was founded in Italy in 1977 to meet the needs of the furniture industry and soon became a leading international player.

Thanks to the high quality of our production activities and constant investment in technological research, we have progressively expanded our presence in foreign markets. We have had sales offices,

R&D departments and production facilities in Germany since 2002, in China since 2006 and in the USA since 2011. Today, the Group employs more than 500 people and operates in more than 50 countries. In 2022, we generated a global turnover of €130 million, of which over €65 million was generated in Germany.

For us, everything revolves around light. We offer efficient and modern lighting solutions for manufactures in the kitchen, bathroom and home furniture industries as well as for shopfitting and retail. We specialise in individual projects and can deliver flexibly, quickly and just-in-time from batch size 1 to large quantities.



RESIDENTIAL



RETAIL



MUSEUM



INDUSTRIAL



HOSPITALITY



DISTRIBUTION

Versatile solutions for various application areas.

Residential

Solutions dedicated to domestic environments, from the kitchen to the living area, from the bedroom to the bathroom. Light is discreetly integrated into the furniture. Illuminated mirrors and modular structures contribute to elegant and functional furnishings. Optical research ensures perfect illumination of the work surface.

Retail

A complete range of lighting solutions that enhance the products on display and enlighten the shopping experience. A combination of spotlights, downlight and panels integrated into shelving units create the perfect ambience for the products.

Museum

Dedicated solutions designed for museums and galleries. The light is artfully integrated into the installation, delivering a unique experience for the visitor. The effect highlights the works with a perfectly homogeneous light that enhances their chromatic aspects while complying with the strictest parameters of conservation.

Industrial

Customized integrated lighting for projects of manufacturers of lifts, escalators, cooling systems, extractor hoods, blinds and pergolas.

Hospitality

Lighting systems for the hotel industry and for the interiors of cruise liners and shipping vessels, promoting the wellbeing and comfort of guests and passengers.

Distribution

An all-round service and catalog dedicated to distributors who are looking for ease of installation, certified safety, fast delivery and sales support.

global, industrial und logistics platforms

FOR EXCELLENT SERVICE

design und prototyping

FOR A CUSTOMIZED SOLUTION

project consulting

FOR EFFICIENT LIGHTING AND AN AESTHETIC RESULT

international certifications

ARE OUR STANDARD

continuous professional development

WITH A FOCUS ON TRAINING AND THE CREATION
OF INFORMATION MATERIAL TO SUPPORT OUR
SALES

Your provider for innovative solutions.

We plan and supply all the elements that are necessary for the correct lighting of an ambience in order to emphasise an exhibited product with the right light.

L&S offers a fully programme of lighting concept that is integrated into the furnishing elements. It matches the architectural lighting and thus improves our perception of the environment in which we live. We are the point of contact for all your interior lighting needs.

Customized service.

We offer a customised service that is tailored to the wishes and needs of our customers.

Our aim is to find the best solution for every project.

Innovation is our strength. That's why we co-operate with established architecture and design firms.

In co-operation with various universities, we support education and research in the fields of design, media and technology.

LEDs in 12V & 24V.

Lighting technology
in perfection.

L&S luminaires are labelled with symbols indicating the available low-voltage range - including our high-efficiency 24V LED strips.



Lighting technology for all applications.



LED lighting technology

Standard plug connectors offer the possibility of producing electrical cables in the high-voltage range at 210 - 230 volts, LED strips work with DC voltage for applications in the low-voltage range.

12V & 24V.

For indirect lighting or larger lighting installations, 24V LED strips are often used directly. At higher voltages, the current flow within the components decreases. This means that only half as much current needs to flow at 24V as at 12V.

Usually 24V LED strips can be installed twice as long and only need to be fed in half as often. However, the pitch distances are greater with a 24V LED strip. For some applications, it is therefore advisable to use a 12V LED strip.

New Light.

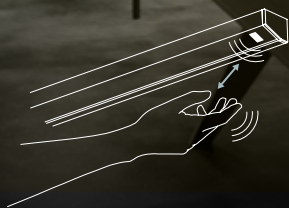
24V high-efficiency LED strips are now available at L&S.

They emit more light with less energy.

It enables a significant reduction in the number of converters. As a result, we can install luminaires up to 7 metres in length for work areas and even up to 14 metres for ambient lighting. The cutting intervals are also significantly smaller.

EDC

LIGHT WITH
INFRARED SWITCH



The light can be switched on and off with a simple hand movement in front of the sensor. The color temperature changes when the sensor is touched 4 times in quick succession.

Emotion/EDC

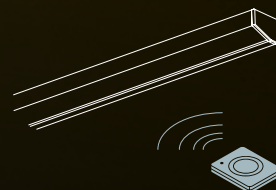
LIGHT WITHOUT
INFRARED SWITCH



The color temperature changes to warm or cold/natural light through the Emotion adapter cable.

Emotion/EDC

LIGHT WITH
EXTERNAL CONTROL



With the remote controls from L&S ist is possible to switch the light on and off, dim the lighting and change the colour temperature in stages.

EDC- Technology: Emotion Dual Color.

CHANGING COLORS HAS NEVER BEEN SO EASY.



The lights with EDC technology are equipped with an infrared switch that can be used to set the colour temperature to 3000 K or 4000 K in only 5 seconds with a simple hand motion over the switch.

Versions without integrated control are supplied with an Emotion adapter cable to change the color temperature without installing a second lighting device.

Emotion is the innovative system developed by L&S to

control the gradual change in color temperature from warm white (2700 K) to cold white (6500 K) on a single luminaire with a simple gesture.

An easy-to-integrate system.

Emotion Dual Color can be integrated into most products. Emotion and EDC are also compatible with the various control systems from L&S, which can be used to change the color temperature in stages.

We plan for the world: certifications for all markets.

The products from L&S are designed to fulfil the most important requirements set out in the various legal standards. This keeps us ahead of future requirements.

Recent investments in our own certification centres enable us to obtain the necessary requirements and test marks more quickly.

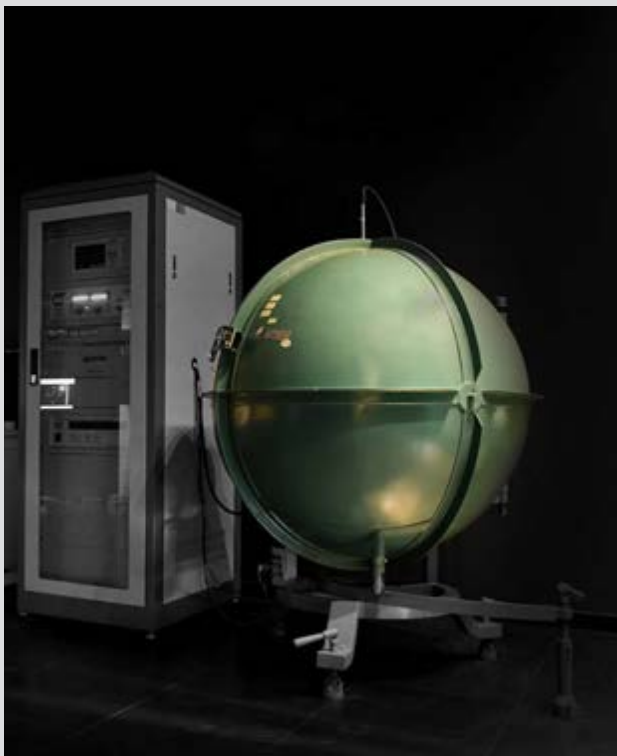
In this way, we support exports for our partners in real time, even when regulations are updated.

Test laboratory for certifications.

The internal laboratory carries out tests on each product to ensure its safety and reliability. All the documentation required to obtain any type of certification according to specific international standards is provided.



Gonio-spectrometer



Ulbricht-Sphere



LED Strips.





20
TUDO HE 24 V



34
TUDO 12 V



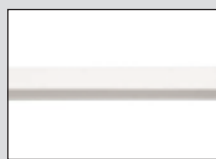
44
COB 24 V



46
COB 12 V



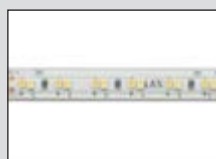
47
OCTOPUS 24 V



51
OCTOPUS 12 V



53
WAVE M



54
WAVE C



55
STRIP FLEX



56
STRIP RGB



57
RGB FLEX



58
COB RGB/RGBW








59
OCTOPUS RGB

TUDO HE

**The new generation of LED strips.
Powerful and highly efficient.**



Overview of the TUDO HE strips

Model	Tudo HE 2.8 24 V	Tudo HE 4.3 24 V	Tudo HE 6.3 24 V	Tudo HE 8.6 24 V	Tudo HE 11.5 24 V	Tudo HE Emotion 4.0 24 V	Tudo HE Emotion 9.8 24 V	Tudo HE EDC 4.0 24 V	Tudo HE EDC 9.8 24 V
Application	Ambient	Universal		Bright		Ambient	Bright	Ambient	Bright
Illuminance at 50 cm	451-490 lx	705-702 lx	953-982 lx	1364-1373 lx	1588-1895 lx	641-684 lx	1422-1515 lx	631-654 lx	1414-1532 lx
Power /m	2.8 W	4.3 W	6.3 W	8.6 W	11.5 W	4.0 W	9.8 W	4.0 W	9.8 W
Luminous flux /m	489 lm	750 lm	1.100 lm	1.500 lm	2000 lm	658-672 lm	1650-1711 lm	748-797 lm	1670-1711 lm
Efficiency of light source	171.4 lm/W	174.4 lm/W	174.6 lm/W	174.4 lm/W	173.9 lm/W	164.5-168 lm/W	167.1- 169.9 lm/W	155.8- 166.0 lm/W	167.1- 169.9 lm/W
CCT	 2700 K / 3000 K / 4000 K					 2700-6500 K		 2700 K - 4000 K	
Energy efficiency class	 * 2700 K								
CRI	> 80								
Length	300 mm / 5.000 mm / 50.000 mm		321 mm / 5.000 mm / 50.000 mm	300 mm / 5.000 mm / 50.000 mm		321 mm / 5.000 mm / 50.000 mm			
Max. opt. length*	17.000 mm	11.000 mm	7.500 mm	5.500 mm	4.000 mm	12.000 mm	5.000 mm	12.000 mm	5.000 mm
LEDs /m	80		112	160	200	112+112			
Separation	50 mm		35.7 mm	25 mm	20 mm	35.7			
Cooling necessary	No	No	No	Yes	Yes	No	Yes	No	Yes
Width / Height	8 / 1.5								
IP protec- tion class	IP 20								
Can replace following LED strips	Tudo 4.8 / 12 V	Tudo 7.2 / 12 V Tudo 7.2 / 24 V	Tudo 9.6 / 12 V Tudo 9.6 / 24 V	Tudo 14.4 / 24 V	-	Tudo Emotion 7.2 / 12 V Tudo Emotion 7.8 / 12 V Tudo Emotion 7.8 / 24 V	Tudo Emotion 15.5 / 12 V Tudo Emotion 15.5 / 24 V Tudo Emotion 24 / 24 V	-	-

* Luminous flux drop ≤ 20%, therefore not perceptible to the human eye

Old vs. New Comparison

The new Tudo HE tapes are more efficient and emit more light with significantly lower energy consumption. That is why we now offer the new generation Tudo HE. The 24 V tapes replace both the old 12 V variants and the 24 V tapes. More light - less energy.

Comparison Chart Tudo Strips

Old LED strip	LEDs / m	Lumen	Cut points	New LED strip	LEDs / m	Lumen	Cut points
Tudo 4.8 / 12 V	60	430	3/50 mm	Tudo HE 2.8 / 24 V	80	480	4/50 mm
Tudo 7.2 / 12 V	90	650	3/33 mm	Tudo HE 4.3 / 24 V	80	750	
Tudo 9.6 / 12 V	120	840	3/25 mm	Tudo HE 6.3 / 24 V	112	1100	4/35.7 mm
Tudo Emotion 7.2 / 12 V	120+120	650	3+3/25 mm	Tudo Emotion HE 4.0 / 24 V	112+112	700	4+4/ 35.7 mm
Tudo Emotion 7.8 / 12 V	60+60	650	3+3/50 mm				
Tudo Emotion 15.5 / 12 V	120+120	1400	3+3/25 mm	Tudo Emotion HE 9.8 / 24 V	112+112	1700	
Tudo 7.2 / 24 V	120	650	6/50 mm	Tudo HE 4.3 / 24 V	80	750	4/50 mm
Tudo 7.2 / 24 V	240	650	6/25 mm				4/35.7 mm
Tudo 9.6 / 24 V	120	840	6/50 mm	Tudo HE 6.3 / 24 V	112	1100	
Tudo 14.4 / 24 V	120	1200	6/50 mm	Tudo HE 8.6 / 24 V	160	1500	4/25 mm
Tudo Emotion 7.8 / 24 V	60+60	650	6+6/100 mm	Tudo Emotion HE 4.0 / 24 V	112+112	700	4+4/ 35.7 mm
Tudo Emotion 15.5 / 24 V	120+120	1400	6+6/50 mm	Tudo Emotion HE 9.8 / 24 V	112+112	1700	
Tudo Emotion 24 / 24 V	120+120	1700					



LED strip Tudo HE 2.8 24 V

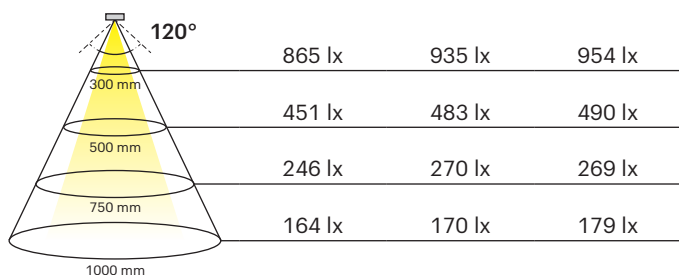
- High efficiency LED strip
- Suitable for decorative light applications
- Compatible with the Tudo modular system



Operating voltage:	DC 24 V
Dimensions:	8x1.5 mm
Power:	2.8 W/m
Color temperature:	Extra warm white (EEC D) Warm White (EEC C) Natural white (EEC C)
Color rendering index (CRI):	> 80
Luminous flux:	480 lm/m
Luminous efficacy:	171.43 lm/W
LED lifespan:	30.000 h
Number of LEDs:	80/m
Separation:	4/50 mm
Beam angle:	120°
IP protection rating:	IP20
Color:	White
Cable length:	2x2.000 mm

LED strip Tudo HE 2.8 24 V

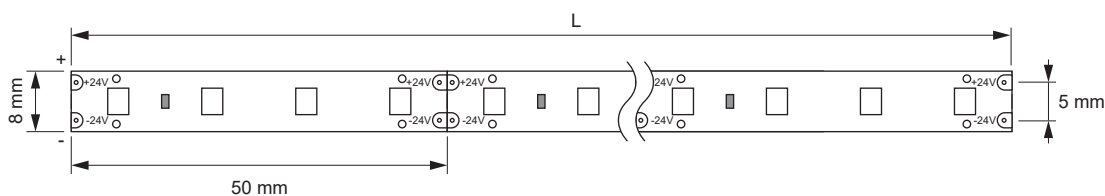
CRI > 80 L= 1000 mm 2700 K 3000 K 4000 K



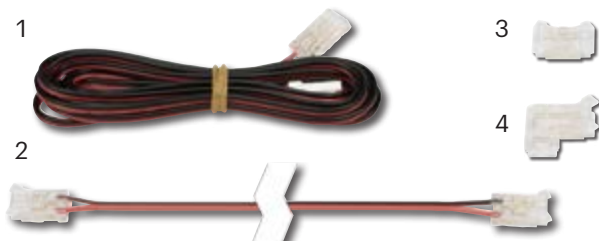
! Maximum allowed strip length: 25700 mm, optical max. 17000 mm, 50 m reel without connection cables

LED strip Tudo HE 2.8 24 V	Length (mm)	Power (W/m)	Color temperature (K)	Ref.
Tudo HE 2.8	5000	2.8	2700	2001001

Dimensions



Connectors COB/SMD 8 mm, 24 V



LED converters 24 V



Connector COB/SMD	Length	Ref.
1 Plug cable 24 V	1800	2000983
	50	2000979
	400	2000980
	700	2000981
2 Connection cable		2000977
3 Connector (PU 10 pcs.)		2000977
4 Corner connector (PU 10 pcs.)		2000978

LED converter 24 V	Ref.
15 W	2000423
30 W	2000424
60 W	2000425

For additional switches and controllers, see page 174 chapter „Controls“

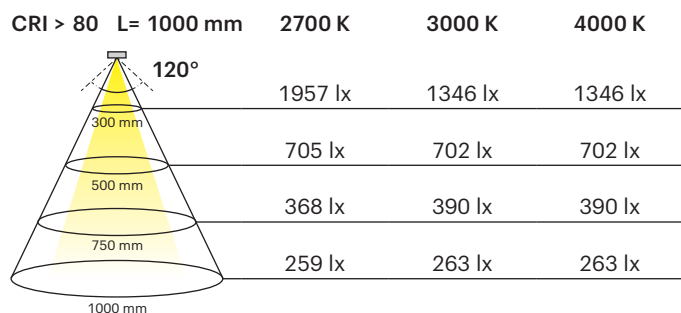


LED strip Tudo HE 4.3 24 V

- High efficiency LED strip
- Suitable for universal light applications
- Compatible with the Tudo modular system



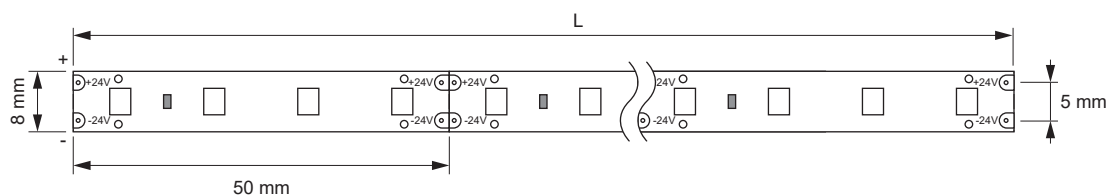
Operating voltage:	DC 24 V
Dimensions:	8x1.5 mm
Power:	4.3 W/m
Color temperature:	Extra warm white (EEC D) Warm White (EEC D) Natural white (EEC C)
Color rendering index (CRI):	> 80
Luminous flux:	750 lm/m
Luminous efficacy:	174.42 lm/W
LED lifespan:	30.000 h
Number of LEDs:	80/m
Separation:	4/50 mm
Beam angle:	120°
IP protection rating:	IP20
Color:	White
Cable length:	2x2.000 mm



! Maximum allowed strip length: 16950 mm, optical max. 11000 mm, 50 m reel without connection cables

LED strip Tudo HE 4.3 24 V	Length (mm)	Power (W/m)	Color temperature (K)	Ref.
Tudo HE 4.3	5000	4.3	2700	2001006
			3000	2001007
			4000	2001008
Tudo HE 4.3 Eco	50000	4.3	2700	2001036
			3000	2001037
			4000	2001038

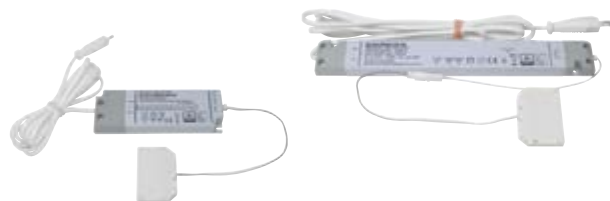
Dimensions



Connectors COB/SMD 8 mm, 24 V



LED converters 24 V



Connector COB/SMD	Length	Ref.
1 Plug cable 24 V	1800	2000983
2 Connection cable	50	2000979
	400	2000980
	700	2000981
3 Connector (PU 10 pcs.)		2000977
4 Corner connector (PU 10 pcs.)		2000978

LED converter 24 V	Ref.
15 W	2000423
30 W	2000424
60 W	2000425

For additional switches and controllers, see page 174 chapter „Controls“



LED strip Tudo HE 6.3 24 V

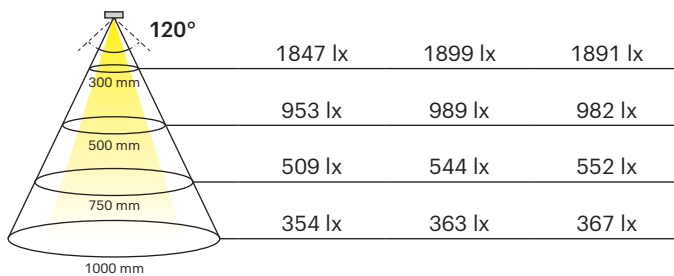
- High efficiency LED strip
- Suitable for direct, even light applications
- Compatible with the Tudo modular system



Operating voltage:	DC 24 V
Dimensions:	8x1.5 mm
Power:	6.3 W/m
Color temperature:	Extra warm white (EEC D) Warm White (EEC D) Natural white (EEC C)
Color rendering index (CRI):	> 80
Luminous flux:	1100 lm/m
Luminous efficacy:	174.60 lm/W
LED lifespan:	30.000 h
Number of LEDs:	112/m
Separation:	4/35.7 mm
Beam angle:	120°
IP protection rating:	IP20
Color:	White
Cable length:	2x2.000 mm

LED strip Tudo HE 6.3 24 V

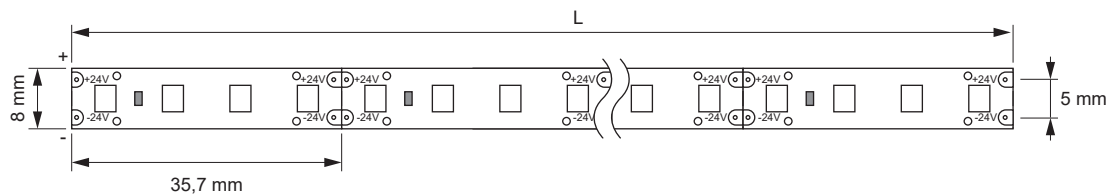
CRI > 80 L= 1000 mm 2700 K 3000 K 4000 K



! Maximum allowed strip length: 11400 mm optical max. 7500 mm, 50 m reel without connection cables

LED strip Tudo HE 6.3 24 V	Length (mm)	Power (W/m)	Color temperature (K)	Ref.
Tudo HE 6.3	5000	6.3	2700	2001011
			3000	2001012
			4000	2001013
Tudo HE 6.3 Eco	5000	6.3	2700	2001041
			3000	2001042
			4000	2001043

Dimensions



Connectors COB/SMD 8 mm, 24 V



LED converters 24 V



Connector COB/SMD	Length	Ref.
1 Plug cable 24 V	1800	2000983
2 Connection cable	50	2000979
	400	2000980
	700	2000981
3 Connector (PU 10 pcs.)		2000977
4 Corner connector (PU 10 pcs.)		2000978

LED converter 24 V	Ref.
15 W	2000423
30 W	2000424
60 W	2000425

For additional switches and controllers, see page 174 chapter „Controls“



LED strip Tudo HE 8.6 24 V

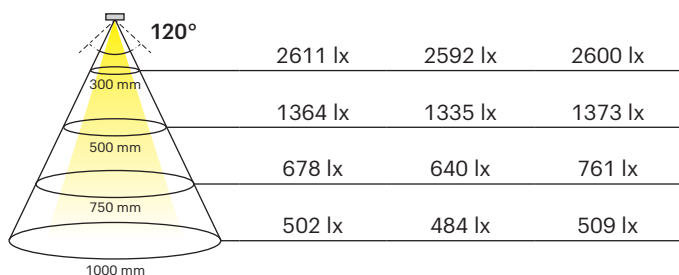
- High efficiency LED strip
- Suitable for direct, even and high illuminance light applications
- Compatible with the Tudo modular system



Operating voltage:	DC 24 V
Dimensions:	8x1.5 mm
Power:	8.6 W/m
Color temperature:	Extra warm white (EEC D) Warm White (EEC D) Natural white (EEC C)
Color rendering index (CRI):	> 80
Luminous flux:	1500 lm/m
Luminous efficacy:	174.42 lm/W
LED lifespan:	30.000 h
Number of LEDs:	160/m
Separation:	4/25 mm
Beam angle:	120°
IP protection rating:	IP20
Color:	White
Cable length:	2x2.000 mm

LED strip Tudo HE 8.6 24 V XWW

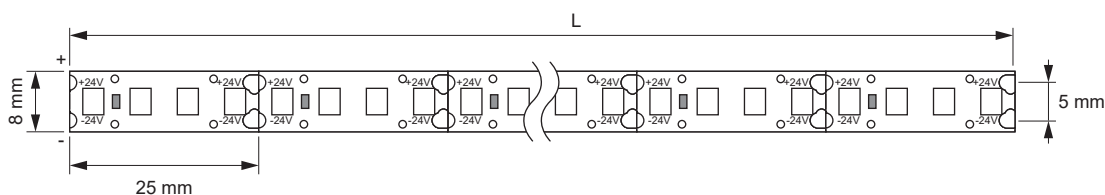
CRI > 80 L= 1000 mm 2700 K 3000 K 4000 K



! Maximum allowed strip length: 8350 mm, optical max. 5500 mm, 50 m reel without connection cables

LED strip Tudo HE 8.6 24 V Eco	Length (mm)	Power (W/m)	Color temperature (K)	Ref.
Tudo HE 8.6	5000	8.6	2700	2001016
			3000	2001017
			4000	2001018
Tudo HE 8.6 Eco	5000	8.6	2700	2001046
			3000	2001047
			4000	2001048

Dimensions



Connectors COB/SMD 8 mm, 24 V



LED converters 24 V



Connector COB/SMD	Length	Ref.
1 Plug cable 24 V	1800	2000983
	50	2000979
	400	2000980
	700	2000981
2 Connection cable		2000977
3 Connector (PU 10 pcs.)		2000978
4 Corner connector (PU 10 pcs.)		

LED converter 24 V	Ref.
15 W	2000423
30 W	2000424
60 W	2000425

For additional switches and controllers, see page 174 chapter „Controls“



LED strip Tudo HE 11.5 24 V

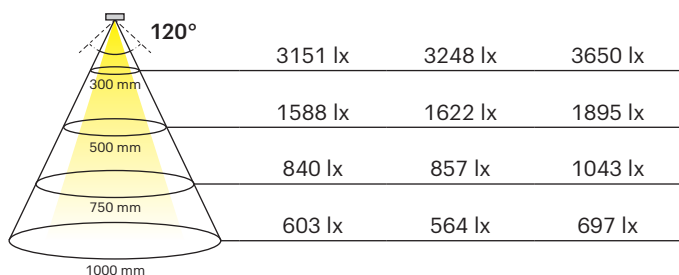
- High efficiency LED strip
- Suitable for high illuminance light applications
- Compatible with the Tudo modular system



Operating voltage:	DC 24 V
Dimensions:	8x1.5 mm
Power:	11.5 W/m
Color temperature:	Extra warm white (EEC D) Warm White (EEC D) Natural white (EEC C)
Color rendering index (CRI):	> 80
Luminous flux:	2.000 lm/m
Luminous efficacy:	173.9 lm/W
LED lifespan:	30.000 h
Number of LEDs:	200/m
Separation:	4/20 mm
Beam angle:	120°
IP protection rating:	IP20
Color:	White
Cable length:	2x2.000 mm

LED strip Tudo HE11.5 24 V

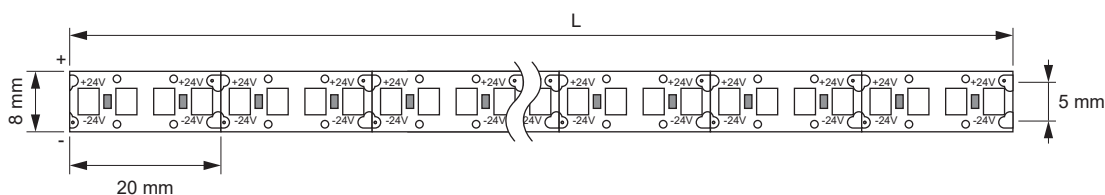
CRI > 80 L= 1000 mm 2700 K 3000 K 4000 K



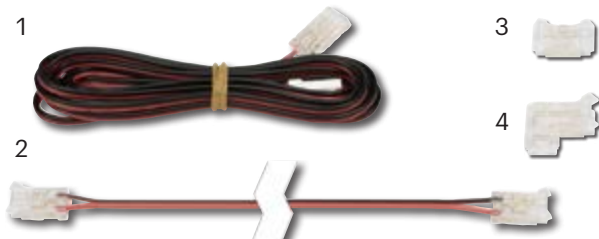
! Maximum allowed strip length: 6250 mm, optical max. 4000 mm, 50 m reel without connection cables

LED strip Tudo HE 11.5 24 V	Length (mm)	Power (W/m)	Color temperature (K)	Ref.
Tudo HE 11.5	5000	11.5	2700	2001021
			3000	2001022
			4000	2001023
Tudo HE 11.5 Eco	5000	11.5	2700	2001051
			3000	2001052
			4000	2001053

Dimensions



Connectors COB/SMD 8 mm, 24 V



LED converters 24 V



Connector COB/SMD	Length	Ref.
1 Plug cable 24 V	1800	2000983
2 Connection cable	50	2000979
	400	2000980
	700	2000981
3 Connector (PU 10 pcs.)		2000977
4 Corner connector (PU 10 pcs.)		2000978

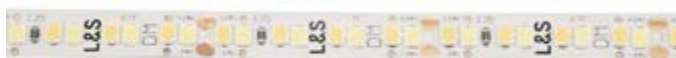
LED converter 24 V	Ref.
15 W	2000423
30 W	2000424
60 W	2000425

For additional switches and controllers, see page 174 chapter „Controls“



LED strip Tudo HE Emotion 4.0 24 V

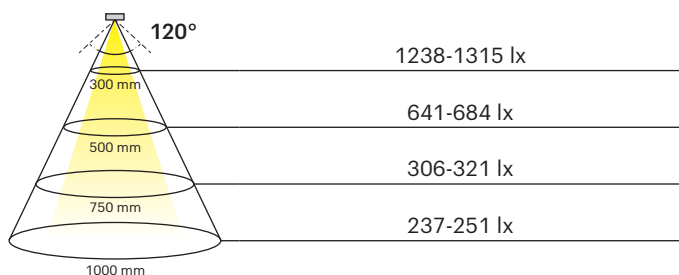
- High efficiency LED strip
- Suitable for universal light applications
- Compatible with the Tudo modular system



Operating voltage:	DC 24 V
Dimensions:	8x1.5 mm
Power:	4.0 W
Color temperature:	Emotion
Color rendering index (CRI):	> 80
Luminous flux:	658 (CW)-672(WW) lm/m
Luminous efficacy:	164.5-168 lm/W
LED lifespan:	30.000 h
Number of LEDs:	112+112/m
Separation:	4+4/35.7 mm
Beam angle:	120°
IP protection rating:	IP20
Color:	White
Cable length:	2x2.000 mm

LED strip Tudo HE Emotion 4.0 24 V

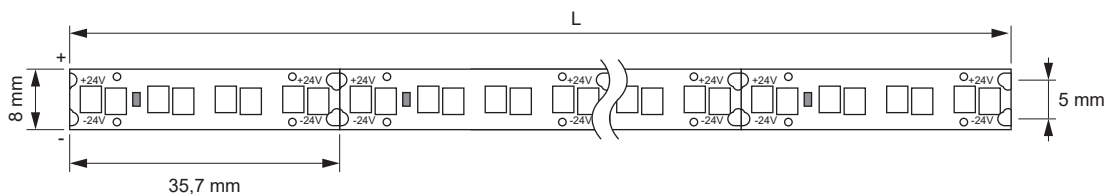
CRI > 80 L= 1000 mm 2700-6500 K



! Maximum allowed strip length: 18000 mm, optical max. 12000 mm, 50 m reel without connection cables

LED Strip Tudo HE Emotion 4.0 24 V	Length (mm)	Power (W/m)	Color temperature (K)	Ref.
Tudo HE Emotion 4.0	5000	4.0	2700-6500	2001026
Tudo HE Emotion 4.0 Eco	50000			2001056

Dimensions



Connectors COB/SMD 8 mm, 24 V



Emotion control systems



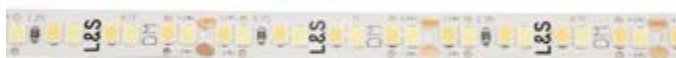
Connector COB/SMD	Length	Ref.
1 Plug cable 24 V	1800	2000983
2 Connection cable	50	2000979
	400	2000980
	700	2000981
3 Connector (PU 10 pcs.)		2000977
4 Corner connector (PU 10 pcs.)		2000978

see page 174 chapter „Controls“



LED strip Tudo HE Emotion 9.8 24 V

- High efficiency LED strip
- Suitable for direct, even and high illuminance light applications
- Compatible with the Tudo modular system

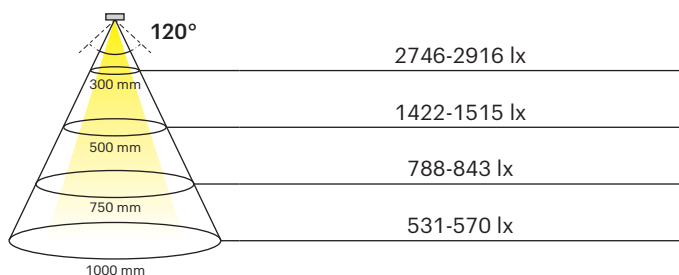


Operating voltage:	DC 24 V
Dimensions:	8x1.5 mm
Power:	9.8 W/m
Color temperature:	Emotion
Color rendering index (CRI):	> 80
Luminous flux:	1650 (CW)/1711 (WW) lm/m
Luminous efficacy:	167.14-169.91 lm/W
LED lifespan:	30.000 h
Number of LEDs:	112+112
Separation:	4+4/35.7 mm
Beam angle:	120°
IP protection rating:	IP20
Color:	White
Cable length:	2x2.000 mm

LED strip Tudo HE Emotion 9.8 24 V

CRI > 80 L= 1000 mm

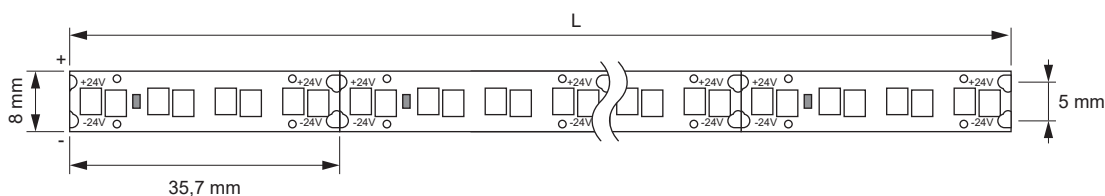
2700-6500 K



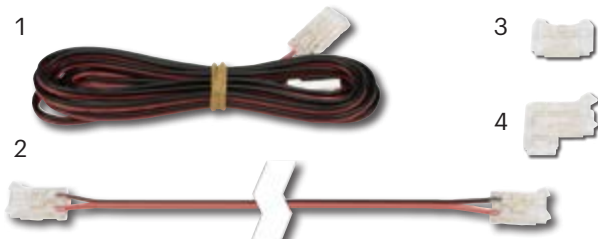
! Maximum allowed strip length: 7300 mm, optical max. 5000 mm, 50 m reel without connection cables

LED strip Tudo HE Emotion 9.8 24 V	Length (mm)	Power (W/m)	Color temperature (K)	Ref.
Tudo HE Emotion 9.8	5000	9.8	2700-6500	2001027
Tudo HE Emotion 9.8 Eco	50000			2001058

Dimensions



Connectors COB/SMD 8 mm, 24 V



Emotion control systems



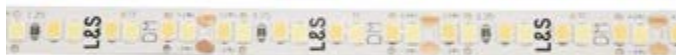
Connector COB/SMD	Length	Ref.
1 Plug cable 24 V	1800	2000983
2 Connection cable	50	2000979
	400	2000980
	700	2000981
3 Connector (PU 10 pcs.)		2000977
4 Corner connector (PU 10 pcs.)		2000978

see page 174 chapter „Controls“



LED strip Tudo HE EDC 4.0 24 V

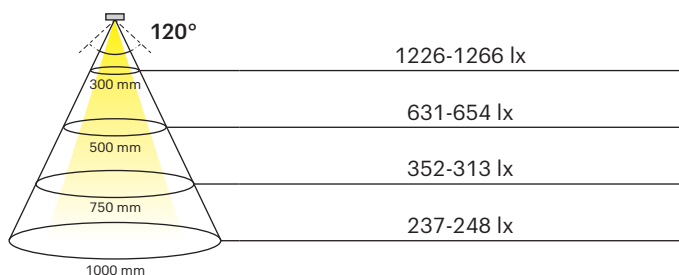
- High efficiency LED strip
- Suitable for universal light applications
- Compatible with the Tudo modular system



Operating voltage:	DC 24 V
Dimensions:	8x1.5 mm
Power:	4.0 W/m
Color temperature:	Emotion Dual Color
Color rendering index (CRI):	> 80
Luminous flux:	797 (WW) / 748 (NW) lm/m
Luminous efficacy:	155.83-166.04 lm/W
LED lifespan:	30.000 h
Number of LEDs:	112+112/m
Separation:	4+4/35.7 mm
Beam angle:	120°
IP protection rating:	IP20
Color:	White
Cable length:	2x2.000 mm

LED strip Tudo HE EDC 4.0 24 V

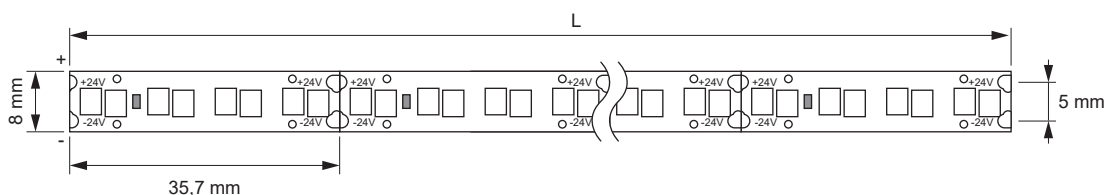
CRI > 80 L= 1000 mm 2700-4000 K



! Maximum allowed strip length: 18000 mm, optical max. 12000 mm, 50 m reel without connection cables

LED strip Tudo HE EDC 4.0 24 V	Length (mm)	Power (W/m)	Color temperature (K)	Ref.
Tudo HE EDC 4.0	5000	4.0	2700-4000	2001028
Tudo HE EDC 4.0 Eco	50000			2001057
Emotion adapter cable				2000437

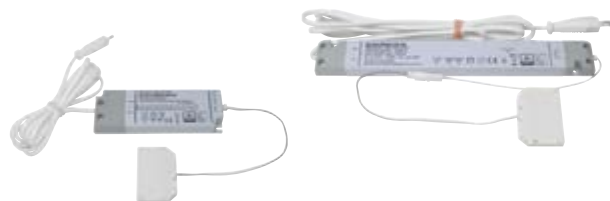
Dimensions



Connectors COB/SMD 8 mm, 24 V



LED converters 24 V



Connector COB/SMD	Length	Ref.
1 Plug cable 24 V	1800	2000983
2 Connection cable	50	2000979
	400	2000980
	700	2000981
3 Connector (PU 10 pcs.)		2000977
4 Corner connector (PU 10 pcs.)		2000978

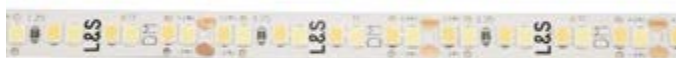
LED converter 24 V	Ref.
15 W	2000423
30 W	2000424
60 W	2000425

For additional switches and controllers, see page 174 chapter „Controls“



LED strip Tudo HE EDC 9.8 24 V

- High efficiency LED strip
- Suitable for direct, even and high illuminance light applications
- Compatible with the Tudo modular system

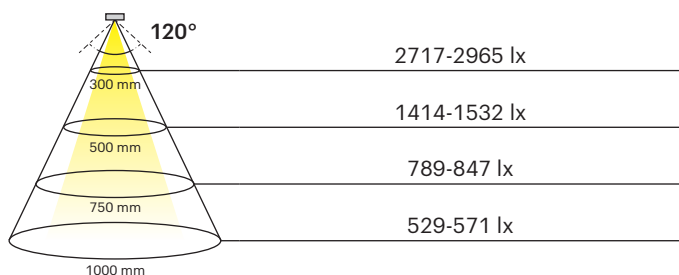


Operating voltage:	DC 24 V
Dimensions:	8x1.5 mm
Power:	9,8 W/m
Color temperature:	Emotion Dual Color
Color rendering index (CRI):	> 80
Luminous flux:	1670 (CW) -1711 (WW) lm/m
Luminous efficacy:	167.14-169.93 lm/W
LED lifespan:	30.000 h
Number of LEDs:	112+112/m
Separation:	4+4/35.7 mm
Beam angle:	120°
IP protection rating:	IP20
Color:	White
Cable length:	2x2.000 mm

LED strip Tudo HE EDC 9.8 24 V

CRI > 80 L= 1000 mm

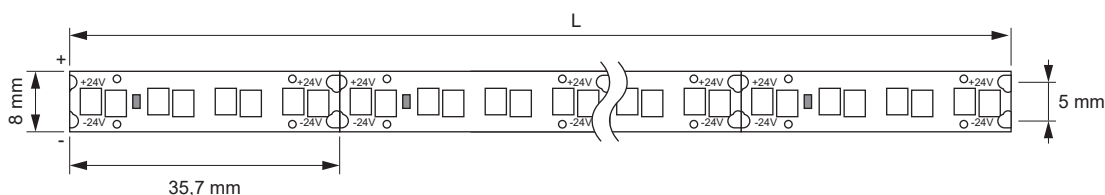
2700-4000 K



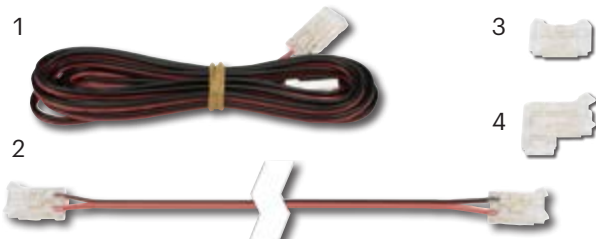
! Maximum allowed strip length: 7300 mm, optical max. 5000 mm, 50 m reel without connection cables

LED strip Tudo HE EDC 9.8 24 V	Length (mm)	Power (W/m)	Color temperature (K)	Ref.
Tudo HE EDC 9.8	5000	9.8	2700/4000	2001029
Tudo HE EDC 9.8 Eco	5000			2001059
Emotion adapter cable				2000437

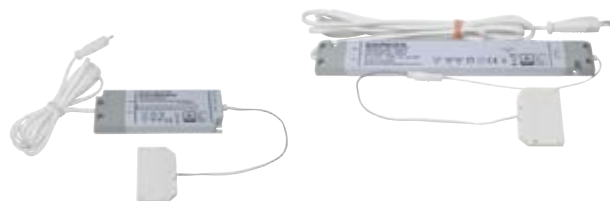
Dimensions



Connectors COB/SMD 8 mm, 24 V



LED converters 24 V



Connector COB/SMD	Length	Ref.
1 Plug cable 24 V	1800	2000983
2 Connection cable	50	2000979
	400	2000980
	700	2000981
3 Connector (PU 10 pcs.)		2000977
4 Corner connector (PU 10 pcs.)		2000978

LED converter 24 V	Ref.
15 W	2000423
30 W	2000424
60 W	2000425

For additional switches and controllers, see page 174 chapter „Controls“

Samples



- All new 24 V Tudo HE strips
- Samples with 30 resp. 32.1 cm length
- Including connection cable

LED strip Tudo HE sample	Length (mm)	Power (W/m)	Color temperature	Ref.
Tudo HE 2.8	300	2.8	Extra warm white	2001200
			Warm white	2001201
			Natural white	2001202
Tudo HE 4.3		4.3	Extra warm white	2001203
			Warm white	2001204
			Natural white	2001205
Tudo HE 6.3	321	6.3	Extra warm white	2001206
			Warm white	2001207
			Natural white	2001208
Tudo HE 8.6	300	8.6	Extra warm white	2001209
			Warm white	2001210
			Natural white	2001211
Tudo HE 11.5		11.5	Extra warm white	2001212
			Warm white	2001213
			Natural white	2001214
Tudo HE Emotion	321	4.0	Emotion	2001215
		9.8		2001216
Tudo HE EDC		4.0	Emotion Dual Color	2001217
		9.8		2001218

TUDO 12 V

The well-known system for 12 V applications.



Overview of the Tudo 12 V strips

Model	Tudo Side View 12 V	Tudo 4.8 12 V	Tudo 7.2 12 V	Tudo 9.6 12 V	Tudo Emotion 7.2 12 V	Tudo Emotion 7.8 12 V	Tudo Emotion 15.5 12 V
							
Application	Ambient		Universal	Bright	Ambient		Bright
Illuminance at 50 cm	419-506 lx	270-287 lx	357-377 lx	522-553 lx	394-463 lx	360-440 lx	681-817
Power /m	4.8 W	4.8 W	7.2 W	9.6 W	7.2 W	7.8 W	15.5 W
Luminous flux /m	530 lm	430 lm	650 lm	840 lm	720 lm	684 lm	1272 lm
Efficiency of light source	103 lm/W	90 lm/W	90 lm/W	88 lm/W	100 lm/W	88 lm/W	82 lm/W
CCT	 3000 K 4000 K	 2700 K / 3000 K / 4000 K / 6200 K			 2700-6500 K		
Energy efficiency class							
CRI	> 90						
Length	5000 mm	5000 mm 15000 mm	5000 mm	5000 mm 15000 mm	5000 mm	5000 mm	5000 mm
Max. opt. length*	7500 mm	7500 mm	5000 mm	3750 mm	5000 mm	4600 mm	2300 mm
LEDs /m	90	60	90	120	120+120	60+60	120+120
Separation	50 mm	50 mm	33 mm	25	25	50	25
Cooling necessary	No	No	No	Yes	No	No	Yes
Width / Height	8 / 2 mm	8 / 1,2 mm					
IP protection class	IP 20						



LED Strip Tудо Side View



- Side emitting LEDs
- Suitable for decorative applications
- Compatible with the Tудо modular system



Operating voltage:	DC 12 V
Dimensions:	8x mm
Power:	4.8 W/m
Color temperature:	Warm white (3000 K) Natural white (4000 K)
Color rendering index (CRI):	>90
Luminous flux:	530 lm/m
Luminous efficacy:	103 lm/W
LED lifespan:	30000 h
Number of LEDs:	60/m
Separation:	3/50 mm
Beam angle:	120°
IP protection rating:	IP20
Color:	White
Cable length:	1800 mm

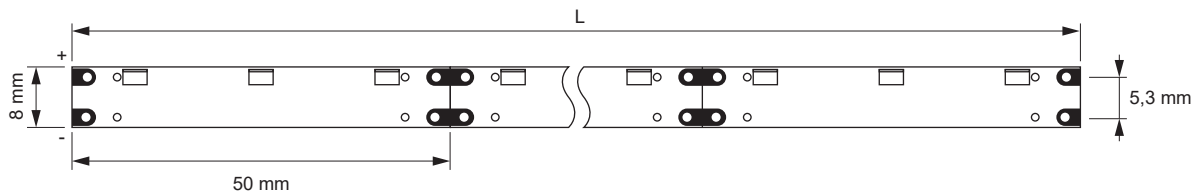
Photometrics

CRI	L= 5000 mm	3000 K	4000 K
		782 lx	958 lx
		419 lx	506 lx
		239 lx	286 lx
		162 lx	192 lx

! Maximum allowed strip length: 7500 mm

LED Strip Tудо Side View	Length (mm)	Power (W/m)	Color Temperature (K)	Ref.
Tудо Side View	5000	4.8	3000	2000498
			4000	2000499

Dimensions



Connectors COB/SMD 8 mm, 12 V



LED converters 12 V



Connectors COB/SMD	Length (mm)	Ref.
1 Power cord 12 V	1800	2000982
2 Connection cable	50	2000979
	400	2000980
	700	2000981
3 Connector (PU 10 pcs.)		2000977
4 Corner connector (PU 10 pcs.)		2000978

LED converter 12 V	Ref.
15 W	2000420
30 W	2000421
60 W	2000422

For additional switches and controllers, see page 174 chapter „Controls“



LED Strip Tudo 4.8 12 V



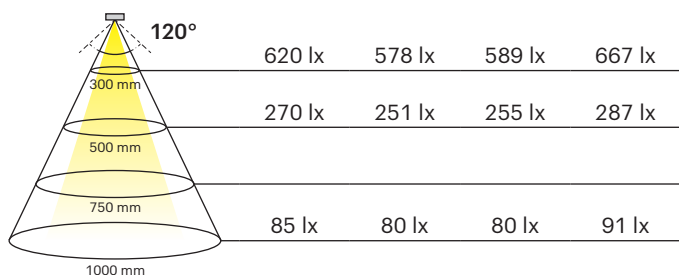
- Suitable for decorative applications
- Compatible with the Tudo modular system



Operating voltage:	DC 12 V
Dimensions:	8x1.2 mm
Power:	4.8 W/m
Color temperature:	Extra Warm white (2700 K) Warm white (3000 K) Natural white (4000 K) Cool white (6200 K)
Color rendering index (CRI):	>90
Luminous flux:	430 lm/m
Luminous efficacy:	90 lm/W
LED lifespan:	30000 h
Number of LEDs	60/m
Separation:	3 / 50 mm
Beam angle:	120°
IP protection rating:	IP20
Color:	White
Cable length:	1800 mm

Photometrics

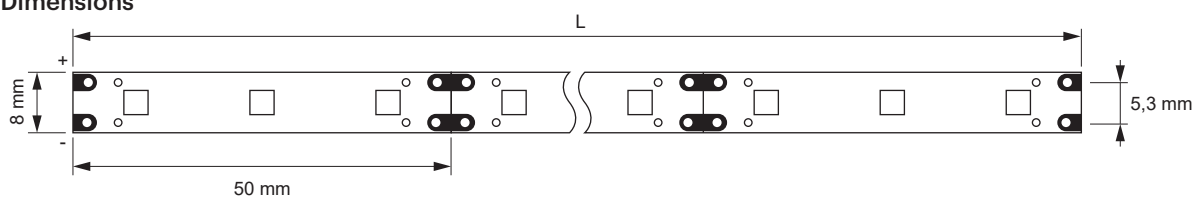
CRI >90 L = 500 mm 2700 K 3000 K 4000 K 6200 K



! Maximum allowed strip length: 7500 mm

LED Strip Tudo 4.8 12 V	Length (mm)	Power (W/m)	Color Temperature (K)	Ref.
Tudo Eco	15000	4.8	2700	2000234
			3000	2000235
	4000		2000236	
	3000		2000877	
LED Strip Tudo	50000		4000	2000875
			2700	2000238
	5000		3000	2000239
			4000	2000240
		6200	2000241	

Dimensions



Connectors COB/SMD 8 mm, 12 V



LED converters 12 V



Connectors COB/SMD	Length (mm)	Ref.
1 Power cord 12 V	1800	2000982
2 Connection cable	50	2000979
	400	2000980
	700	2000981
3 Connector (PU 10 pcs.)		2000977
4 Corner connector (PU 10 pcs.)		2000978

LED converter 12 V	Ref.
15 W	2000420
30 W	2000421
60 W	2000422

For additional switches and controllers, see page 174 chapter „Controls“



LED Strip Tudo 7.2 12 V



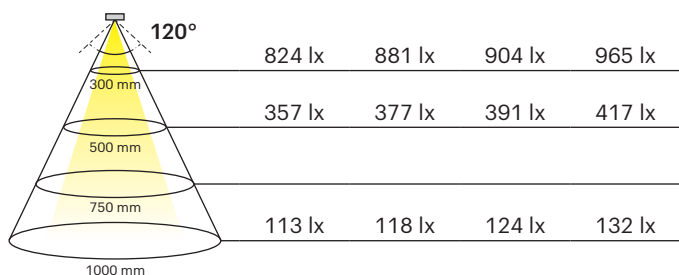
- Suitable for universal applications
- Compatible with the Tudo modular system



Operating voltage:	DC 12 V
Dimensions:	8x1.2 mm
Power:	7.2 W/m
Color temperature:	Extra Warm white (2700 K) Warm white (3000 K) Natural white (4000 K) Cool white (6200 K)
Color rendering index (CRI):	>90
Luminous flux:	650 lm/m
Luminous efficacy:	90 lm/W
LED lifespan:	30000 h
Number of LEDs:	90/m
Separation:	3 / 33 mm
Beam angle:	120°
IP protection rating:	IP20
Color:	White
Cable length:	1800 mm

Photometrics

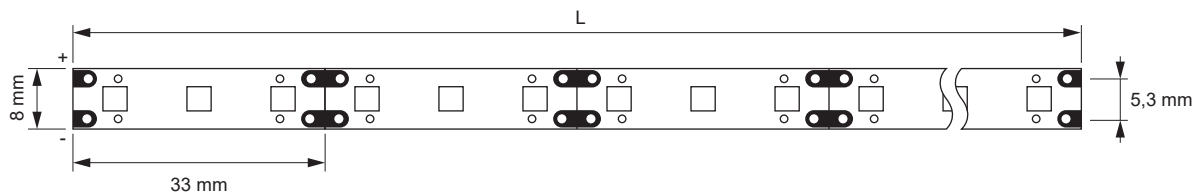
CRI >90 L = 500 mm 2700 K 3000 K 4000 K 6200 K



! Maximum allowed strip length: 5000 mm

LED Strip Tudo 7.2 12 V	Length (mm)	Power (W/m)	Color Temperature (K)	Ref.
LED Strip Tudo	5000	7.2	2700	2000242
			3000	2000243
			4000	2000244
			6200	2000245

Dimensions



Connectors COB/SMD 8 mm, 12 V



LED converters 12 V



Connector COB/SMD	Length (mm)	Ref.
1 Plug cable 12 V	1800	2000982
2 Connection cable	50	2000979
	400	2000980
	700	2000981
3 Connector (PU 10 pcs.)		2000977
4 Corner connector (PU 10 pcs.)		2000978

LED converter 12 V	Ref.
15 W	2000420
30 W	2000421
60 W	2000422

For additional switches and controllers, see page 174 chapter „Controls“



LED Strip Tудо 9.6 12 V



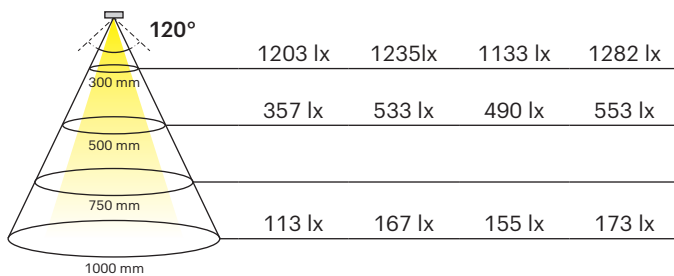
- Suitable for direct, even light application
- Compatible with the Tудо modular system



Operating voltage:	DC 12 V
Dimensions:	8x1.2 mm
Power:	9.6 W/m
Color temperature:	Extra Warm white (2700 K) Warm white (3000 K) Natural white (4000 K) Cool white (6200 K)
Color rendering index (CRI):	>90
Luminous flux:	840 lm/m
Luminous efficacy:	88 lm/W
LED lifespan:	30000 h
Number of LEDs:	120/m
Separation:	3 / 25 mm
Beam angle:	120°
IP protection rating:	IP20
Color:	White
Cable length:	1800 mm

Photometrics

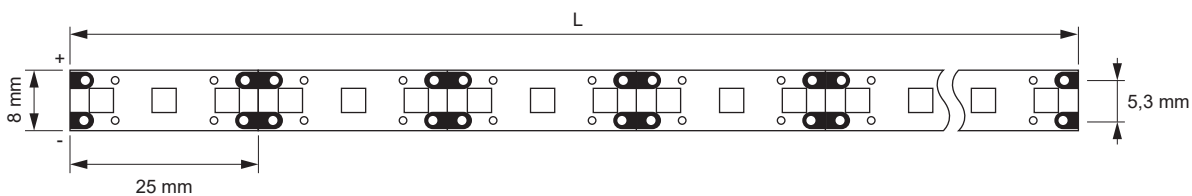
CRI >90 L = 500 mm 2700 K 3000 K 4000 K 6200 K



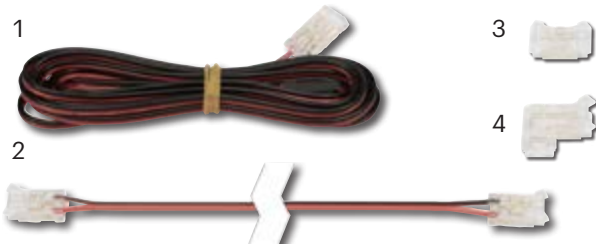
! Maximum allowed strip length: 3750 mm
Must be operated in an aluminum profile or on a cooling strip!

LED Strip Tудо 9.6 12 V	Length (mm)	Power (W/m)	Color Temperature (K)	Ref.
Tудо Eco	15000	9.6	2700	2000246
			3000	2000247
	4000		2000248	
	3000		2000878	
Tудо	50000		4000	2000876
			2700	2000250
	5000		3000	2000251
			4000	2000252
		6200	2000253	

Dimensions



Connectors COB/SMD 8 mm, 12 V



LED converters 12 V



Connectors COB/SMD	Length (mm)	Ref.
1 Power cord 12 V	1800	2000982
2 Connection cable	50	2000979
	400	2000980
	700	2000981
3 Connector (PU 10 pcs.)		2000977
4 Corner connector (PU 10 pcs.)		2000978

LED converter 12 V	Ref.
15 W	2000420
30 W	2000421
60 W	2000422

For additional switches and controllers, see page 174 chapter „Controls“



LED Strip TUDO Emotion 7.2 12 V

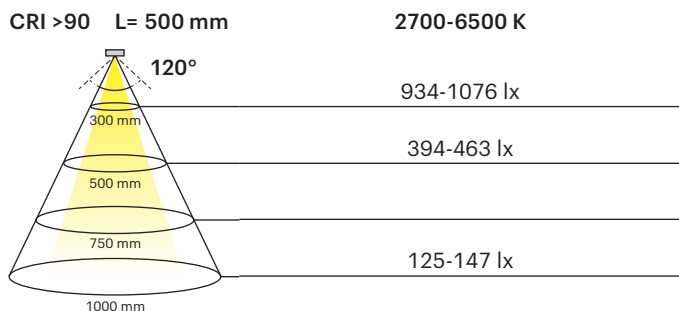


- Suitable for universal applications
- Compatible with the TUDO modular system



Operating voltage:	DC 12 V
Dimensions:	8x1.2 mm
Power:	7.2 W/m
Color temperature:	Emotion (2700-6500 K)
Color rendering index (CRI):	>90
Luminous flux:	720 lm/m
Luminous efficacy:	100 lm/W
LED lifespan:	30000 h
Number of LEDs:	120+120/m
Separation:	3+3 / 25 mm
Beam angle:	120°
IP protection rating:	IP20
Color:	White
Cable length:	1800 mm

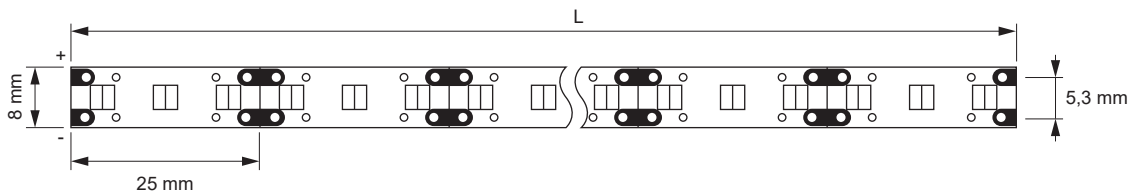
Photometrics



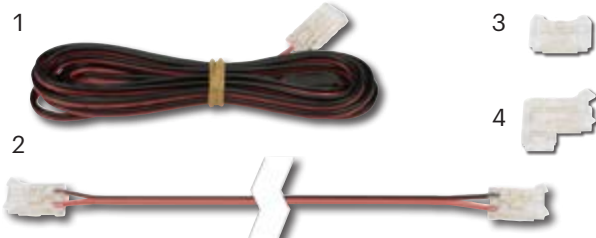
! Maximum allowed strip length: 5000 mm

LED Strip TUDO Emotion 7.2 12 V	Length (mm)	Power (W/m)	Color Temperature (K)	Ref.
LED Strip TUDO Emotion	5000	7.2	2700-6500	2000255

Dimensions



Connectors COB/SMD 8 mm, 12 V



Emotion control systems



Connector COB/SMD	Length (mm)	Ref.
1 Plug cable 12 V	1800	2000982
2 Connection cable	50	2000979
	400	2000980
	700	2000981
3 Connector (PU 10 pcs.)		2000977
4 Corner connector (PU 10 pcs.)		2000978

see page 174 chapter „Controls“



LED Strip Tудо Emotion 7.8 12 V

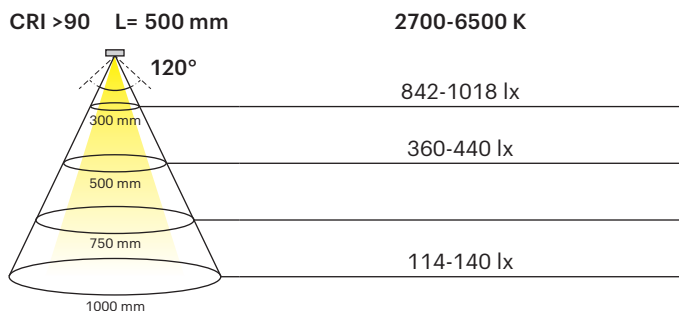


- Suitable for decorative applications
- Compatible with the Tудо modular system



Operating voltage:	DC 12 V
Dimensions:	8x1.2 mm
Power:	7.8 W/m
Color temperature:	Emotion (2700-6500 K)
Color rendering index (CRI):	>90
Luminous flux:	684 lm/m
Luminous efficacy:	88 lm/W
LED lifespan:	30000 h
Number of LEDs:	60+60/m
Separation:	3+3 / 50 mm
Beam angle:	120°
IP protection rating:	IP20
Color:	White
Cable length:	1800 mm

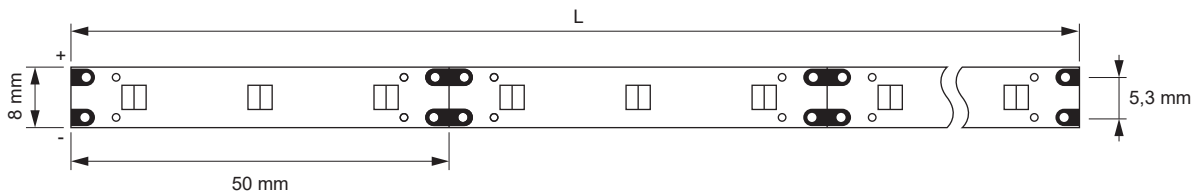
Photometrics



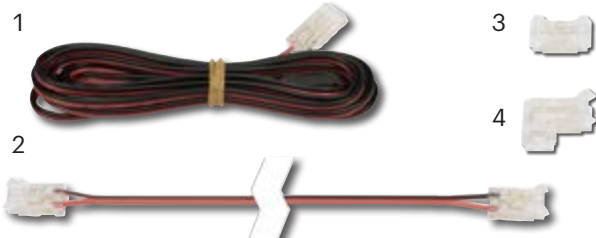
! Maximum allowed strip length: 4600 mm

LED Strip Tудо Emotion 7.8 12 V	Length (mm)	Power (W/m)	Color Temperature (K)	Ref.
LED Strip Tудо Emotion	5000	7.8	2700-6500	2000256

Dimensions



Connectors COB/SMD 8 mm, 12 V



Emotion control systems



Connector COB/SMD	Length (mm)	Ref.
1 Plug cable 12 V	1800	2000982
2 Connection cable	50	2000979
	400	2000980
	700	2000981
3 Connector (PU 10 pcs.)		2000977
4 Corner connector (PU 10 pcs.)		2000978

see page 174 chapter „Controls“



LED Strip Tудо Emotion 15.5 12 V



- Suitable for direct, even light application
- Compatible with the Tудо modular system

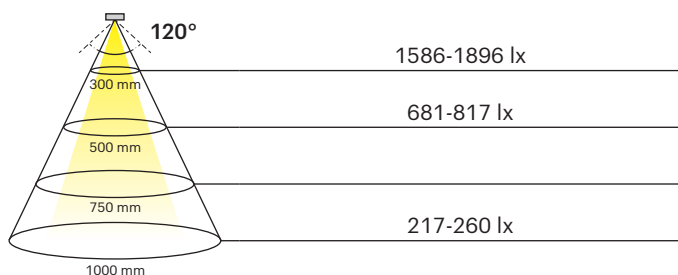


Operating voltage:	12 V
Dimensions:	8x1.2 mm
Power:	15.5 W/m
Color temperature:	Emotion (2700-6500 K)
Color rendering index (CRI):	>90
Luminous flux:	1272 lm/m
Luminous efficacy:	82 lm/W
LED lifespan:	30000 h
Number of LEDs:	120+120/m
Separation:	6+6 / 50 mm
Beam angle:	120°
IP protection rating:	IP20
Color:	White
Cable length:	1800 mm

Photometrics

CRI >90 L = 500 mm

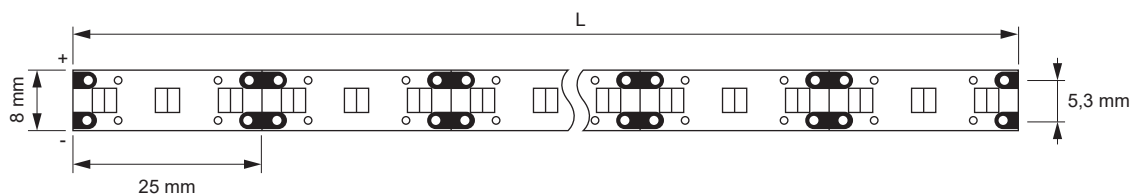
2700-6500 K



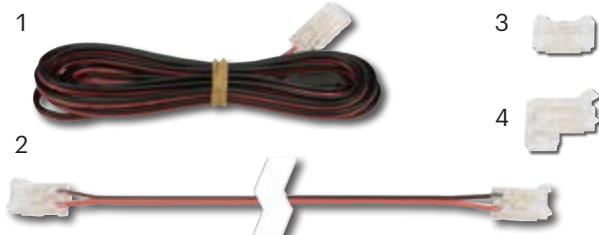
! Maximum allowed strip length: 2300 mm
Must be operated in an aluminum profile or on a cooling strip!

LED Strip Tудо Emotion 15.5 12 V	Length (mm)	Power (W/m)	Color Temperature (K)	Ref.
LED Strip Tудо Emotion	5000	15.5	2700-6500	2000254

Dimensions



Connectors COB/SMD 8 mm, 12 V



Emotion control systems



Connector COB/SMD	Length (mm)	Ref.
1 Plug cable 12 V	1800	2000982
2 Connection cable	50	2000979
	400	2000980
	700	2000981
3 Connector (PU 10 pcs.)		2000977
4 Corner connector (PU 10 pcs.)		2000978

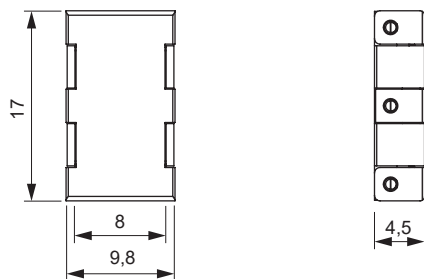
see page 174 chapter „Controls“

Installation of LED strips

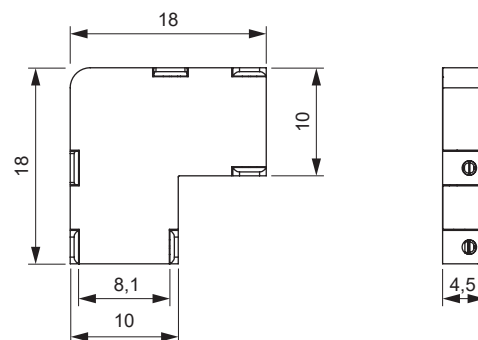
Attention: Follow the installation instructions for LED strips on page 247.

Dimensions

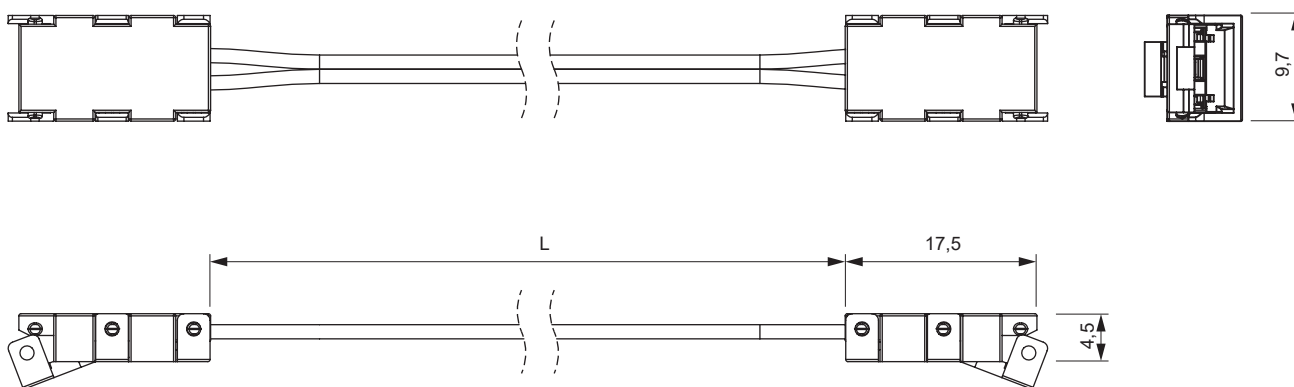
Connector



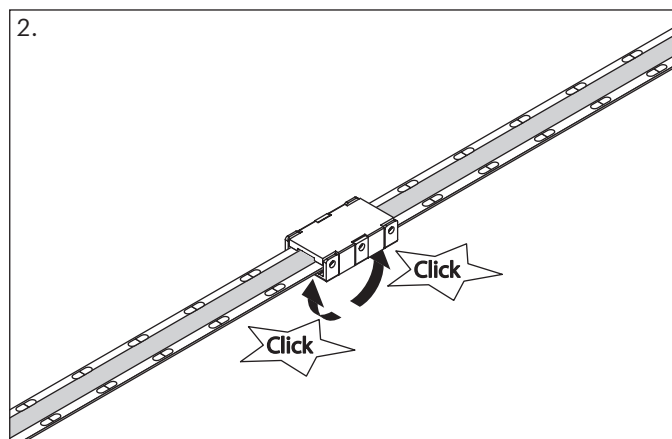
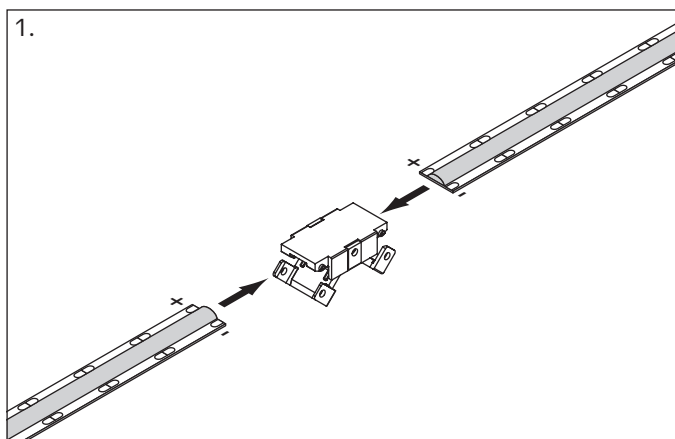
Corner connector



Connection cable



Connecting COB strips



Connecting SMD strips

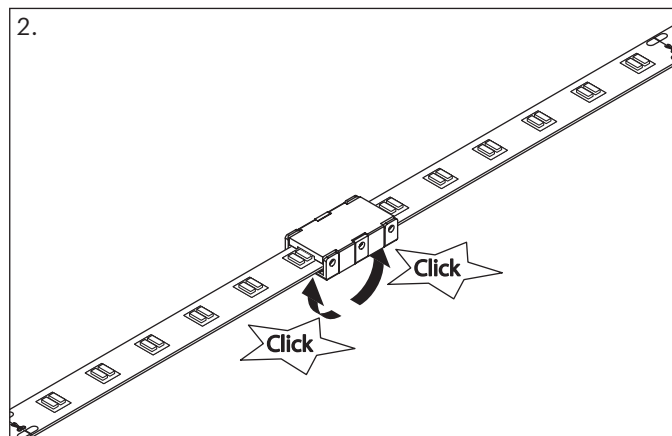
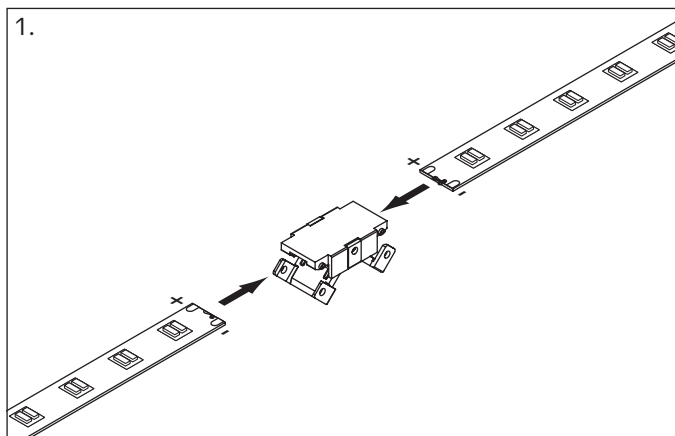
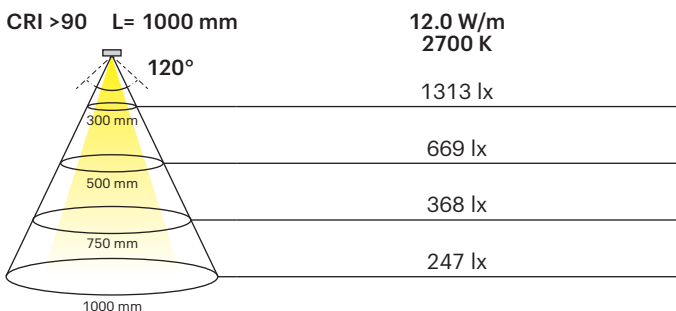




Image similar

Photometrics



LED Strip COB 24 V / 12 V



- Super slim LED strip
- No visible components
- Homogeneous illumination

Operating voltage:	DC 24 V / DC 12 V
Dimensions:	8x1.5 mm
Power:	7.2 W/m 12.0 W/m
Color temperature:	Extra warm white (2700 K)
Color rendering index (CRI):	>90
Luminous flux:	648 lm/m (7.2 W) 1100 lm/m (12.0 W)
Luminous efficacy:	90 lm/W
LED lifespan:	30000 h
Number of LEDs:	320/m
Separation:	8 / 25 mm
Beam angle:	120°
IP protection rating:	IP20
Color:	White
Cable length:	2x2000 mm (5000 mm) - (10000 mm)

! Maximum allowed strip length
 12 V 7.2: 5000 mm / 12.0: 3000 mm
 24 V 7.2: 10000 mm / 12.0: 6000 mm

LED Strip COB 24 V	Length (mm)	Power (W/m)	Color emperature (K)	Ref.
COB	5000	7.2	2700	941900428
	10000			751100808
	5000	12.0		941900431
	10000			751100810

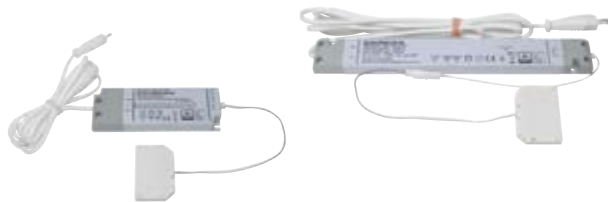
LED Strip COB 12 V	Length (mm)	Power (W/m)	Color emperature (K)	Ref.
COB	5000	7.2	2700	941900426
	10000			751100809
	5000	12.0		941900430
	10000			751100811

Connectors COB/SMD 8 mm, 24 V



Connector COB/SMD	Length	Ref.
1 Plug cable 12 V	1800	2000982
1 Plug cable 24 V	1800	2000983
2 Connection cable	50	2000979
	400	2000980
	700	2000981
3 Connector (PU 10 pcs.)		2000977
4 Corner connector (PU 10 pcs.)		2000978

LED converters 24 V



See page 210 and 212

For additional switches and controllers, see page 174 chapter „Controls“

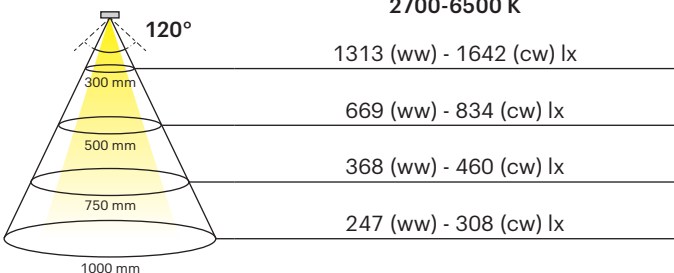


Image similar

Photometrics

CRI >90 L= 1000 mm

12.0 W/m
2700-6500 K



LED Strip COB 24 V



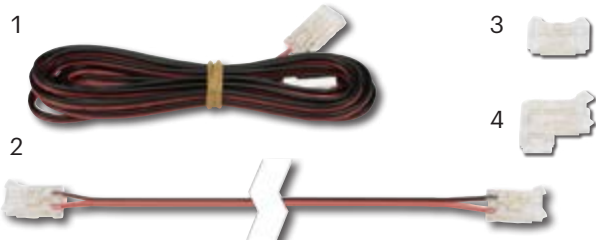
- Super slim LED strip
- No visible components
- Homogeneous illumination

Operating voltage:	DC 24 V
Dimensions:	8x1.5 mm
Power:	7.2 W/m 12.0 W/m
Color temperature:	Emotion (2700-6500 K)
Color rendering index (CRI):	>90
Luminous flux:	1100 lm/m (7.2 W) 1300 lm/m (12.0 W)
Luminous efficacy:	91,67 lm/m (7.2 W) 108,3 lm/W (12.0 W)
LED lifespan:	30000 h
Number of LEDs:	320+320/m
Separation:	8+8 / 25 mm
Beam angle:	120°
IP protection rating:	IP20
Color:	White
Cable length:	-

! Maximum allowed strip length: 6000 mm

LED Strip COB Emotion 24 V	Length (mm)	Power (W/m)	Color Temperature (K)	Ref.
COB Emotion	5000	7.2	2700-6500	941900449
	10000			751100816
	5000	12.0		941900349
	10000			751100780

Connectors COB/SMD 8 mm, 24 V



Emotion control systems



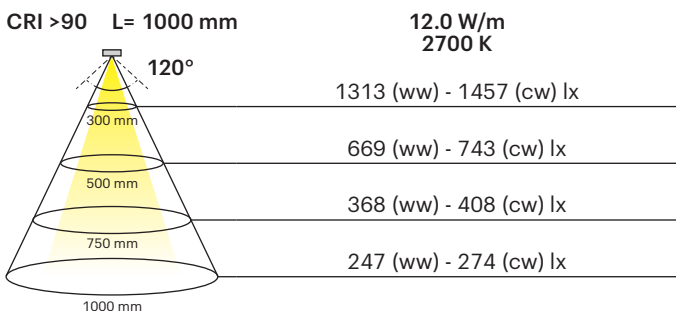
Connector COB/SMD	Length	Ref.
1 Plug cable 24 V	1800	2000983
2 Connection cable	50	2000979
	400	2000980
	700	2000981
3 Connector (PU 10 pcs.)		2000977
4 Corner connector (PU 10 pcs.)		2000978

see page 174 chapter „Controls“



Image similar

Photometrics



LED Strip COB Emotion 12 V



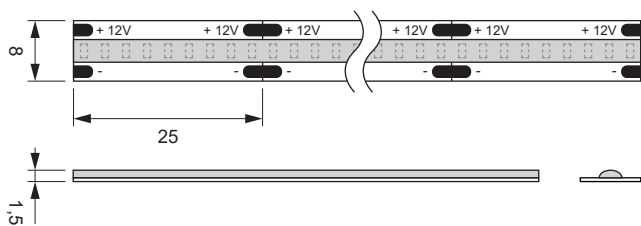
- Super slim LED strip
- No visible components
- Homogeneous illumination

Operating voltage:	DC 12 V
Dimensions:	8x1.5 mm
Power:	7.2 W/m 12.0 W/m
Color temperature:	Emotion (2700-6500 K)
Color rendering index (CRI):	> 90
Luminous flux:	648 lm/m (7.2 W) 1100 lm/m (12.0 W)
Luminous efficacy:	90 lm/W
LED lifespan:	30000 h
Number of LEDs:	320+320/m
Separation:	8+8 / 25 mm
Beam angle:	120°
IP protection rating:	IP20
Color:	White
Cable length:	-

! Maximum allowed strip length:
7.2: 5000 mm / 12.0: 3000 mm

LED Strip COB Emotion 12 V	Length (mm)	Power (W/m)	Color Temperature (K)	Ref.
COB Emotion	5000	7.2	2700-6500	941900450
	10000			751100806
	5000	12.0		941900348
	10000			751100779

Dimensions



Connectors COB/SMD 8 mm, 12 V



Emotion control systems



see page 174 chapter „Controls“

Connector COB/SMD	Length	Ref.
1 Plug cable 12 V	1800	2000982
2 Connection cable	50	2000979
	400	2000980
	700	2000981
3 Connector (PU 10 pcs.)		2000977
4 Corner connector (PU 10 pcs.)		2000978



LED Strip Octopus 24 V

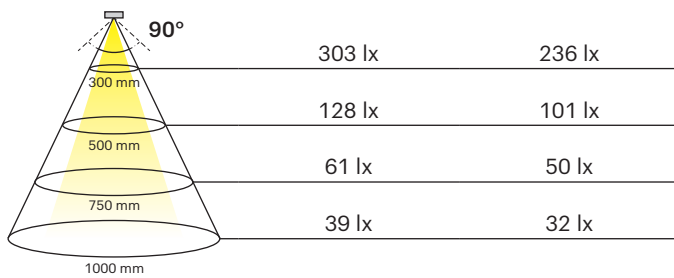


- Flexible sealed LED strip
- Bending direction on the surface
- Homogeneous illumination
- Delivery includes fixing material and end caps with glue

Operating voltage:	24 V
Dimensions:	6x11 mm
Power:	10.0 W/m
Color temperature:	Warm white (3000 K) Natural white (4000 K)
Color rendering index (CRI):	>90
Luminous flux:	500 lm/m
Luminous efficacy:	50 lm/W
LED lifespan:	30000 h
Number of LEDs:	120/m
Separation:	6/50 mm
Beam angle:	90°
IP protection rating:	IP67
Color:	White/Opal
Cable length:	2x 1800 mm

Photometrics

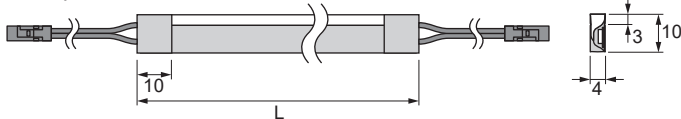
CRI >90 L= 500 mm 3000 K 4000 K



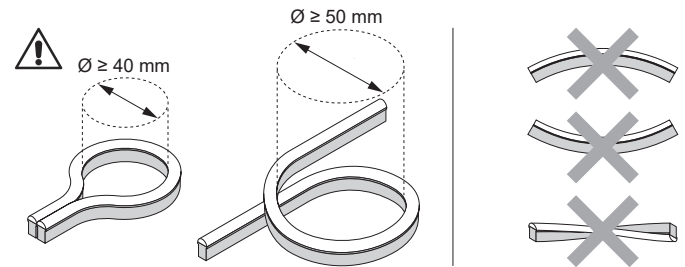
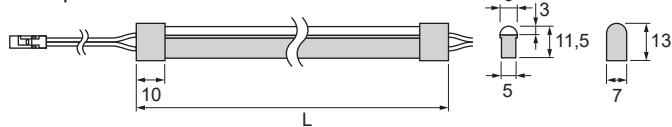
LED Strip Octopus 24 V	Length (mm)	Power (W/m)	Color temperature (K)	Ref.
Octopus 4x10	5000	10.0	3000	2000514
			4000	2000515
Octopus 6x11.5			3000	2000230
			4000	2000231

Dimensions

Octopus 4x10



Octopus 6x11.5



Base profiles

- For use as a base lighting
- Suitable for 4x10 mm Octopus LED strips



Base profiles	Ref.
1 To stick on	2000794
2 To clip on (15 pcs.)	2000793

LED converters 24 V



LED converter 24 V	Ref.
15 W	2000423
30 W	2000424
60 W	2000425

For additional switches and controllers, see page 174 chapter „Controls“



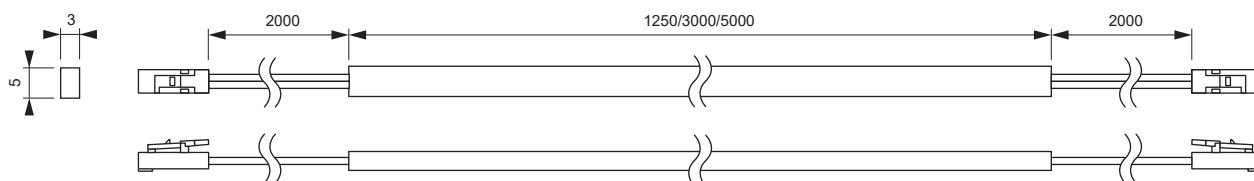
Octopus Slim Line 3x5

- Flexible sealed LED strip
- Low installation depth
- Homogeneous illumination
- Groove dimension 3.2x5 mm. Can be milled into 19 mm cabinet center sides opposite each other
- 2x 2000 mm connection cable

Operating voltage:	DC 24 V
Dimensions:	3x5 mm
Power:	5.0 W/m
Color temperature:	Extra warmwhite (2700 K) Warm white (3000 K) Natural white (4000 K)
Color rendering index (CRI):	> 80
Luminous flux:	140 lm/m
Luminous efficacy:	28 lm/W (WW)
LED lifespan:	20000 h
Number of LEDs:	156/m
Separation:	107,18 mm
IP protection rating:	IP67
Color:	White
Cable length:	2x 2.000 mm

Octopus Slim Line	Length (mm)	Power (W/m)	Color Temperature (K)	Ref.
Octopus 3x5	1250	5.0	2700	941900307
	3000			941900310
	5000			941900313
	1250		3000	941900308
	3000			941900311
	5000			941900314
	1250		4000	941900309
	3000			941900312
	5000			941900315

Dimensions



LED converters 24 V



LED converter 24 V	Ref.
15 W	2000423
30 W	2000424
60 W	2000425

For additional switches and controllers, see page 174 chapter „Controls“



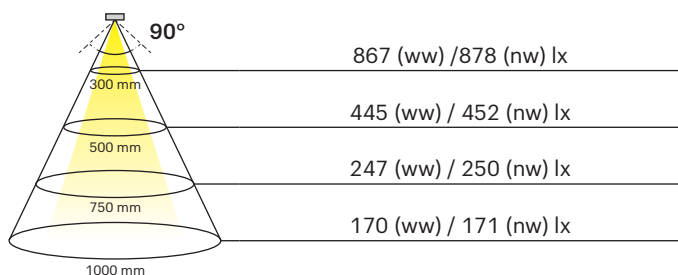
Octopus Slim Line 6x6

- Flexible sealed LED strip
- Low installation depth
- Homogeneous illumination
- Groove dimension 6x6 mm. Can be milled into 19 mm cabinet center sides opposite each other
- Color temperature switchable from 2700 K to 4000 K via adapter cable
- 2x 2000 mm connection cable

Operating voltage:	DC 24 V
Dimensions:	6x6 mm
Power:	7.00 W/m
Color temperature:	Emotion Dual Color
Color rendering index (CRI):	96
Luminous flux:	579 (ww) / 584 (nw) lm/m
Luminous efficacy:	82.7 (ww) / 83.4 (nw) lm/W
LED lifespan:	30000 h
Number of LEDs:	240+240/m
Separation:	33.3 mm
Beam angle:	90 °
IP protection rating:	IP67
Color:	White
Cable length:	2x 2000 mm
Start color:	Warm white (with Emotion adapter cable: Natural white)

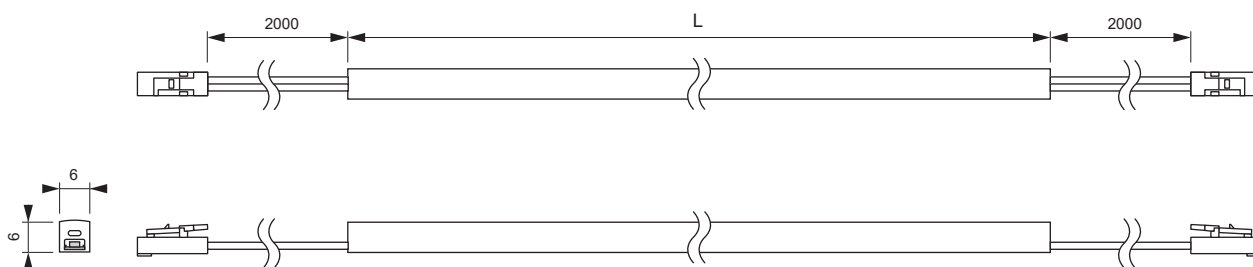
Photometrics

CRI 96 L= 1000 mm 2700-4000 K



Octopus Slim Line	Length (mm)	Power (W/m)	Color Temperature (K)	Ref.
Octopus Slim Line EDC	2000	7.0	2700/4000	941900397
	3000			2001009
	5000			2000971
Emotion adapter cable				2000437

Dimensions



LED converters 24 V



LED converter 24 V	Ref.
15 W	2000423
30 W	2000424
60 W	2000425

Emotion control systems



see page 174 chapter „Controls“

For additional switches and controllers, see page 174 chapter „Controls“

**LED Strip Octopus 10x10 Emotion 24 V**

- Flexible sealed LED strip
- Bending direction on the surface
- Homogeneous illumination

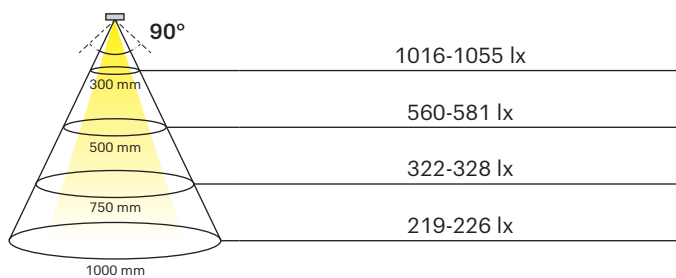


Operating voltage:	DC 24 V
Dimensions:	10x10 mm
Power:	8.0 W/m
Color temperature:	Emotion (2700-6500 K)
Color rendering index (CRI):	>80
Luminous flux:	661 (ww) / 700 (cw) lm/m
Luminous efficacy:	88.68-92.92 lm/W
LED lifespan:	30000 h
Number of LEDs:	140+140/m
Separation:	7+7/50 mm
Beam angle:	90°
IP protection rating:	IP67
Color:	White/Opal
Cable length:	2x2000 mm
Start color:	Warm white (with Emotion adapter cable: Cool white)

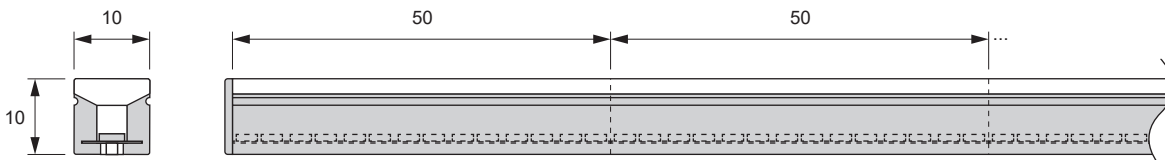
Photometrics

CRI > 80 L= 1000 mm

2700-6500 K



LED Strip Octopus 10x10 Emotion 24 V	Length (mm)	Power (W)	Color Temperature (K)	Ref.
LED Strip Octopus	5000	8.0	2700-6500	2000950
Emotion adapter cable 24 V				2000437

Dimensions**Emotion control systems**

see page 174 chapter „Controls“



LED Strip Mini Octopus 12 V

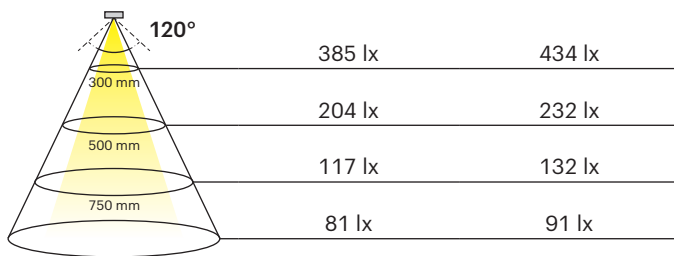


- Flexible sealed LED strip
- Bending direction on the surface
- Homogeneous illumination

Operating voltage:	DC 12 V
Dimensions:	4x10 mm
Power:	8.0 W/m
Color temperature:	Warm white (3000 K) Natural white (4000 K)
Color rendering index (CRI):	>80
Luminous flux:	263 (Ww) / 316 (Nw) lm/m
LED lifespan:	30000 h
Number of LEDs:	166/m
Separation:	3 / 18 mm
Beam angle:	120°
IP protection rating:	IP67
Color:	White/Opal
Cable length:	1800 mm

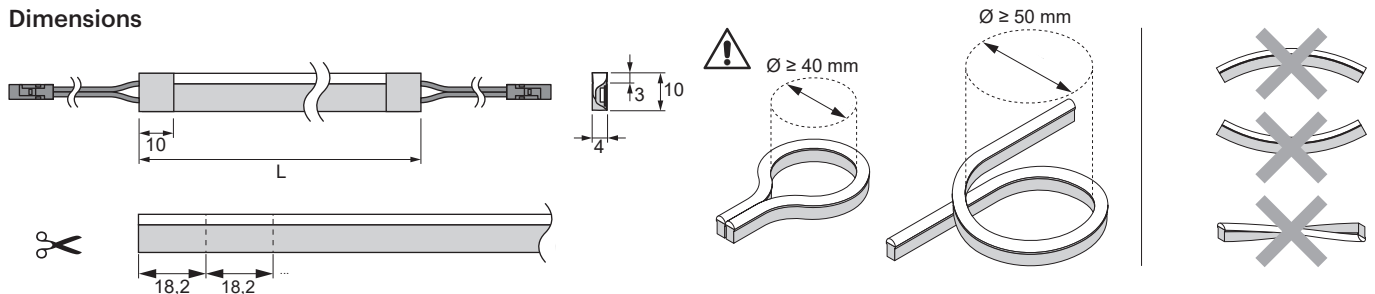
Photometrics

CRI >80 L= 1000 mm 3000 K 4000 K



LED Strip Mini Octopus 12 V	Length (mm)	Power (W/m)	Color Temperature (K)	Ref.
Mini Octopus	1000	8.0	3000	2000757
			4000	2000756
	3000		3000	2000755
			4000	2000754

Dimensions



Base profiles

- For use as a base lighting
- Suitable for 4x10 mm Octopus LED strips



Base profiles	Ref.
1 To stick on	2000794
2 To clip on (15 pcs.)	2000793

LED converters 12 V



LED converter 12 V	Ref.
15 W	2000420
30 W	2000421
60 W	2000422

For additional switches and controllers, see page 174 chapter „Controls“



LED Strip Octopus Emotion 12 V

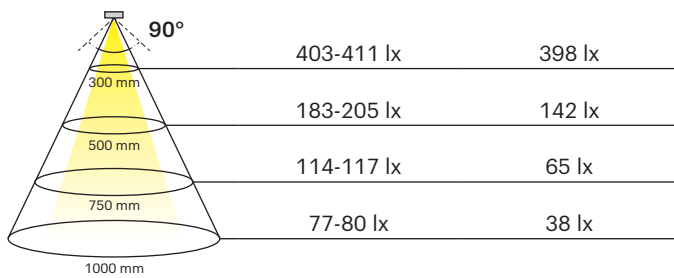


- Flexible sealed LED strip
- Bending direction on the surface
- Homogeneous illumination

Operating voltage:	DC 12 V
Dimensions:	6x13 mm
Power:	10.0 / 7.2 W/m
Color temperature:	Emotion (2700-6500 K) Emotion (3000-6000 K)
Color rendering index (CRI):	>80
Luminous flux:	385-398 lm/m
LED lifespan:	30000 h
Number of LED:	90+90/m
Separation:	3+3/33,3 mm
Beam angle:	90°
IP protection rating:	IP67
Color:	White/Opal
Cable length:	1800 mm

Photometrics

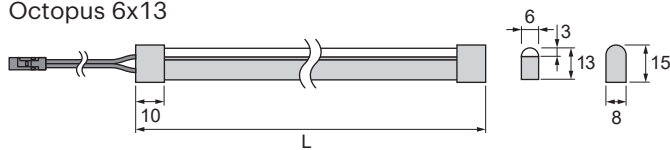
CRI >80 L= 1000 mm 2700-6500 K 3000-6000 K



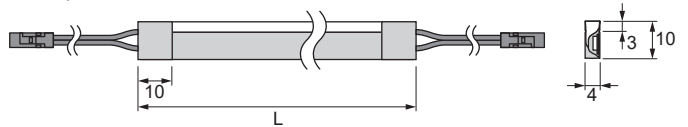
LED Strip Octopus Emotion 12 V	Length (mm)	Power (W/m)	Color Temperature (K)	Ref.
Octopus Emotion 6x13	1600	10.0	2700-6500	2000720
	1800			2000719
	2000			2000717
	2200			2000718
Octopus Emotion 4x10	2200	7.2	3000-6000	2000758
	2600			2000759
	3350			2000760

Dimensions

Octopus 6x13



Octopus 4x10



Base profiles

- For use as a base lighting
- Suitable for 4x10 mm Octopus LED strips



Emotion control systems



see page 174 chapter „Controls“

Base profiles	Ref.
1 To stick on	2000794
2 To clip on (15 pcs.)	2000793



LED Strip Wave M 12 V



- Round sealed LED strip
- No visible components
- Homogeneous illumination
- Includes end caps with glue

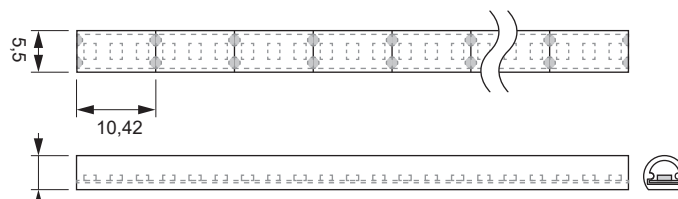
Operating voltage:	DC 12 V
Dimensions:	5.5x4.5 mm
Power:	6.0 W/m
Color temperature:	Warm white (3000 K) Natural white (4000 K)
Color rendering index (CRI):	>90
Luminous flux :	396 lm/m (Warm white) 453 lm/m (Natural white)
Luminous efficacy:	66 lm/W (Warm white) 75.5 lm/W (Natural white)
LED lifespan:	30000 h
Number of LEDs:	288
Separation:	3/10.42 mm
Beam angle:	120°
IP protection rating:	IP66
Color:	White/Opal
Cable length:	2x 2000 mm

Photometrics

CRI >90	L = 5000 mm	3000 K	4000 K
	120°	476 lx	541 lx
	300 mm	250 lx	287 lx
	500 mm	141 lx	162 lx
	750 mm	96 lx	110 lx
	1000 mm		

LED Strip Wave M 12 V	Length (mm)	Power (W/m)	Color Temperature (K)	Ref.
LED strip	5000	6.0	3000	2000741
			4000	2000742

Dimensions



LED converters 12 V



LED converter 12 V	Ref.
15 W	2000420
30 W	2000421
60 W	2000422

For additional switches and controllers, see page 174 chapter „Controls“



LED Strip Wave C Emotion 24 V



- Flexible waterproof LED tape
- Can be shortened
- End caps and silicone for sealing included



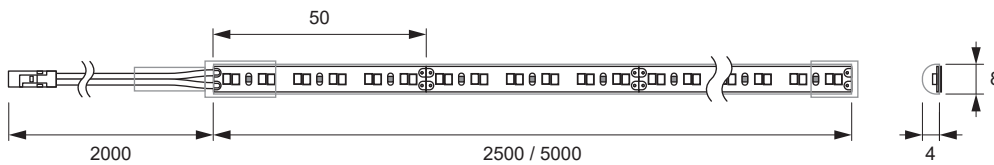
Operating voltage:	DC 24 V
Dimensions:	8x4 mm
Power:	7.2 W/m
Color temperature:	Emotion (2700-6500 K)
Color rendering index (CRI):	>90
Luminous flux / m:	582-627 lm/m
Luminous efficacy:	80.8-87.1 lm/W
LED lifespan:	30000 h
Number of LEDs:	120+120/m
Separation:	6+6/50 mm
Beam angle:	120°
IP protection rating:	IP66
Color:	White
Cable length:	1800 mm

Photometrics

CRI >90	L = 1000 mm	2700-6500 K
		912-958 lx
		489-518 lx
		274-290 lx
		185-197 lx

LED Strip Wave C Emotion 24 V	Length (mm)	Power (W/m)	Color Temperature (K)	Ref.
LED Strip Wave C Emotion	2500	7.2	2700-6500	2000796
	5000			2000795

Dimensions



LED converters 24 V



Emotion control systems



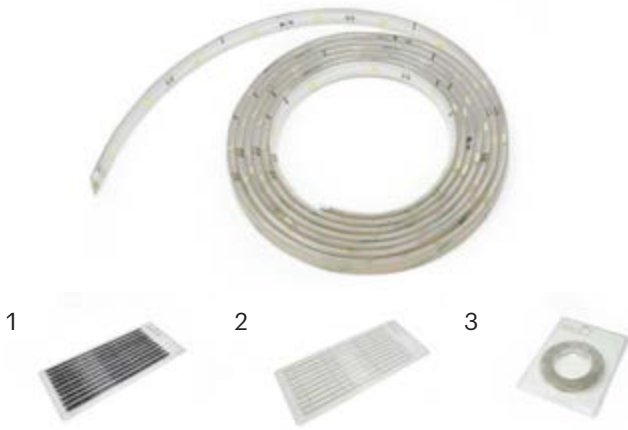
LED converter 24 V	Ref.
15 W	2000423
30 W	2000424
60 W	2000425

see page 174 chapter „Controls“



LED Strip Flex 12 V

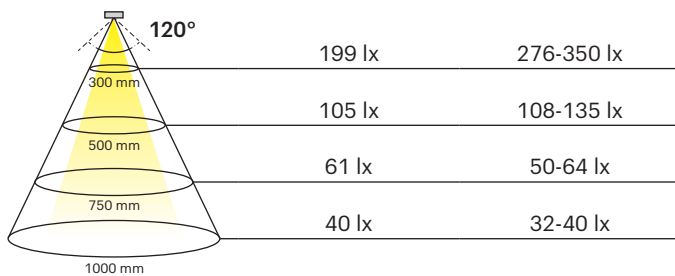
- Self-adhesive flexible LED luminaire strip
- For the simple creation of luminaire strips via plug-in system
- Dimmable with continuously adjustable color temperature using Emotion technology



Operating voltage:	12 V
Dimensions:	8x2,5 mm
Power:	3.4 W/m
Color temperature:	Warm white (3200 K) Emotion (3000-6000 K)
Color rendering index (CRI):	>80
Luminous flux:	33-36 lm/m
Luminous efficacy:	29-32 lm/W
LED lifespan:	30000 h
Number of LEDs:	36/m
Separation:	3/85 mm / 3+3/85 mm
Beam angle:	120°
IP protection rating:	IP20
Color:	Black
Cable length:	-

Photometrics

CRI >80 L= 335 mm 3200 K 3000-6000 K



LED Strip Flex 12 V	Length (mm)	Power (W)	Color temperature (K)	Ref.
Pack of 10	335	0.8	3200	2000223
		1.2	3000-6000	2000224
2m roll	2000	6.8		2000225

Connectors



LED converters 12 V



Accessories	Length (mm)	Ref.
1 Power cable	2000	2000226
2 Connection cable	40	2000227

LED converter 12 V	Ref.
15 W	2000420
30 W	2000421
60 W	2000422

For additional switches and controllers, see page 174 chapter „Controls“



LED Strip RGB 24 V



- Suitable for universal applications
- Setting the color changes with RGB control

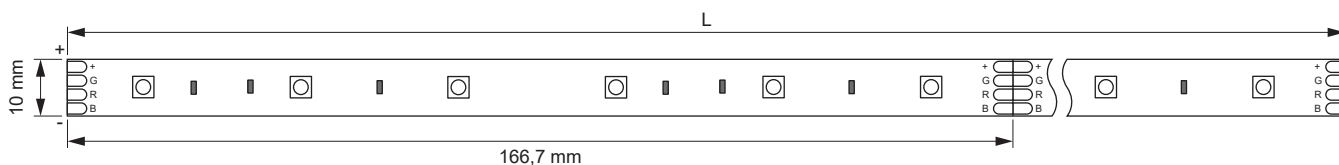
Operating voltage:	DC 24 V
Dimensions:	10x2 mm
Power:	7.2 W/m 14.4 W/m
Color temperature:	RGB
Color rendering index (CRI):	>90
LED lifespan:	30000 h
Number of LEDs:	30/m 60/m
Separation:	3 / 100 mm 6 / 100 mm
Beam angle:	120°
IP protection rating:	IP20
Color:	White
Cable length:	1800 mm

Photometrics

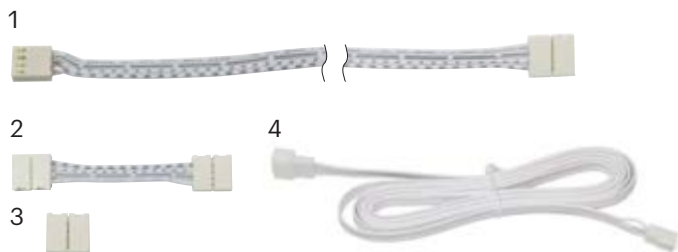
CRI >90	L = 500 mm	RGB 7.2	RGB 14.4
	120°	353 lx	587 lx
	300 mm	151 lx	248 lx
	500 mm		
	750 mm	48 lx	78 lx
	1000 mm		

LED Strip RGB	Separation	Length (mm)	Power (W/m)	Color temperature (K)	Ref.
LED Strip RGB 24 V	3 / 100	5000	7.2	RGB	2000294
	6 / 100				941900332
	3 / 100		14.4		2000295

Dimensions



Connectors



RGB control system Frankfurt series



Cables	Length (mm)	Ref.
1 Power cord	2000	2000296
2 Connection cables	50	2000297
	500	2000298
	1000	2000299
3 Connector		2000300
4 Connection cable plug/socket		2000693

RGB control 24 V	Leistung (W)	Ref.
1 RGB control	15	2000288
	30	2000289
	60	2000290
2 RGB remote control with rotary wheel		2000291
3 RGB 4-channel remote control		2000292



LED Strip RGB Flex 5.4 24 V



- Self-adhesive flexible LED-RGB light strip
- Combination of several strips through plug-in system
- Simple adhesive mounting

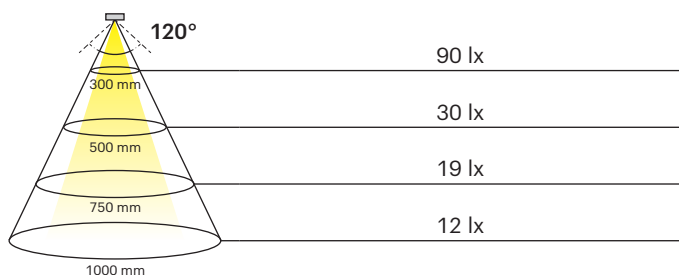


Operating voltage:	24 V
Dimensions:	10x2.5 mm
Power:	5.4 W/m
Color temperature:	RGB
Color rendering index (CRI):	>80
Luminous flux:	1772 /m lm/m
Luminous efficacy:	74 lm/W
LED lifespan:	30000 h
Number of LEDs:	12/m
Separation:	6 / 170 mm
Beam angle:	120°
IP protection rating:	IP20
Color:	White
Cable length:	1800 mm

Photometrics

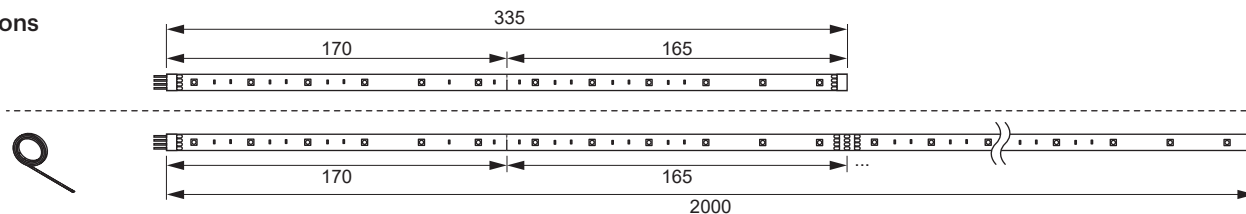
CRI >80 L= 500 mm

RGB



LED Strip RGB Flex 5.4 24 V	Length (mm)	Power (W)	Color Temperature (K)	Ref.
LED Strip RGB Flex	335	1.8	RGB	2000283
	2000	10.8		2000284

Dimensions



Connectors



RGB control system Frankfurt series



Cables	Length (mm)	Ref.
1 Power cord	2000	2000287
2 Connection cables	40	2000285
	500	2000286
	2000	2000693

RGB control 24 V	Leistung (W)	Ref.
1 RGB control	15	2000288
	30	2000289
	60	2000290
2 RGB remote control with rotary wheel		2000291
3 RGB 4-channel remote control		2000292



LED Strip COB RGB / RGBW 24 V



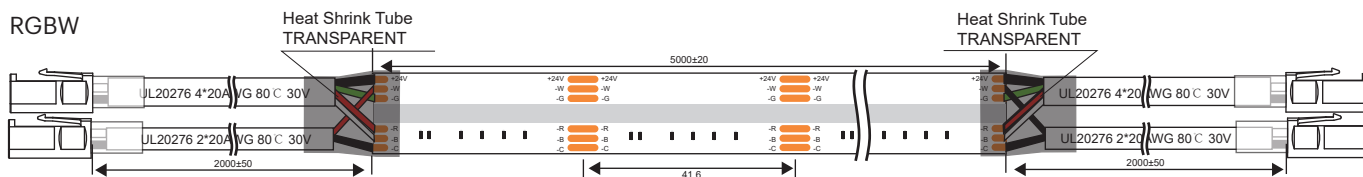
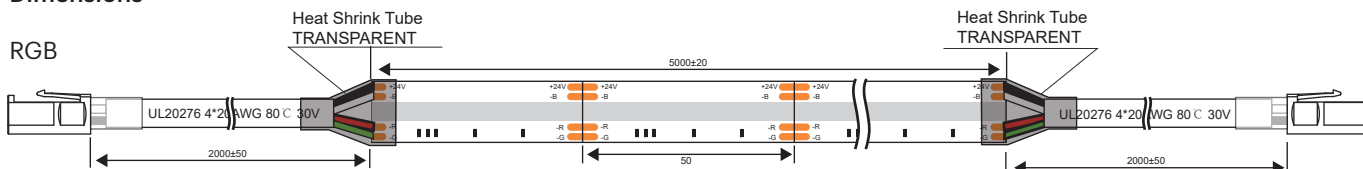
- RGB / RGB and white LEDs
- No visible components
- Homogeneous illumination



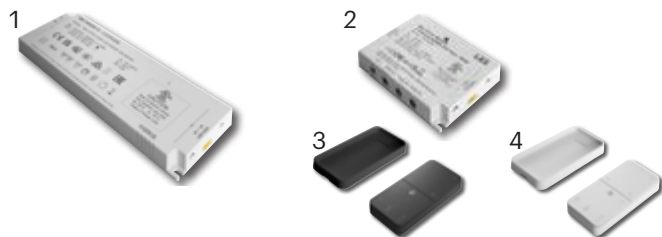
Operating voltage:	DC 24 V
Dimensions:	10 mm (RGB) 12 mm (RGBW)
Power:	15 W/m
Color temperature:	RGB RGB / Weiß (2700/6500 K)
Color rendering index (CRI):	>90
Luminous flux:	R 126 / G 385 / B 58 lm/m R 90 / G 200 / B 45 / WW 224 / CW 240 lm/m
Luminous efficacy:	R 18 G 110 / B 13 lm/W R 20 / G 100 / B 15 / WW 70 / NW 75 lm/W
LED lifespan:	30000 h
Number of LEDs:	840/m
Separation:	50 mm (RGB) 41.6 mm (RGBW)
Beam angle:	120°
IP protection class:	IP20
Color:	White
Cable length:	2x 2000 mm (RGB) 4x 2000 mm (RGBW)

LED Strip COB 24 V	Length (mm)	Power (W/m)	Color Temperature	Ref.
COB RGB	5000	15	RGB	941900438
COB RGBW			RGBW	941900440

Dimensions



Mec Driver RGB control system



Mec Driver RGB control 24 V	Power (W)	Ref.
1 Mec Driver	72	2000604
	90	2000605
	120	2000872
2 RGB module		756200029
3 RGB remote control, black		756200038
4 RGB remote control, white		756200039
- Connection cable RGB, 2000 mm, plug&socket		940600482



LED Strip Octopus RGB 24 V

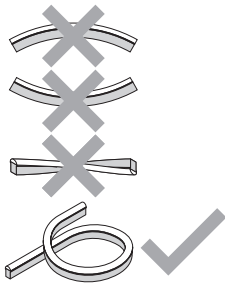


- Flexible sealed LED strip
- Homogeneous illumination

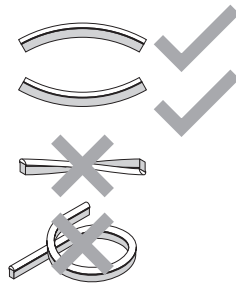
Operating voltage:	DC 24 V
Dimensions:	6x12 mm 10x10 mm
Power:	12 W/m (6x12) R 3,69/G 3,10/B 3,28 W/m (10x10)
Color temperature:	RGB
Color rendering index (CRI):	> 80
Luminous flux:	R 127.5/G 256/B 61 lm/w (6x12) R 78.2/R 202.6/B 46.4lm/m (10x10)
Luminous efficacy:	R 4.51/G 10.82/B 2.41 lm/W (6x12) R 21.16/G 65.31/B14.14 lm/W (10x10)
LED lifespan:	30000 h
IP protection rating:	IP67
Color:	White/Opal
Cable length:	1x 200 / 1x 2000 mm (6x12) 1x 2000 mm (10x10)



Octopus 6x12



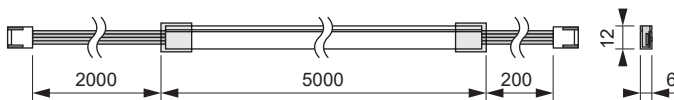
Octopus 10x10



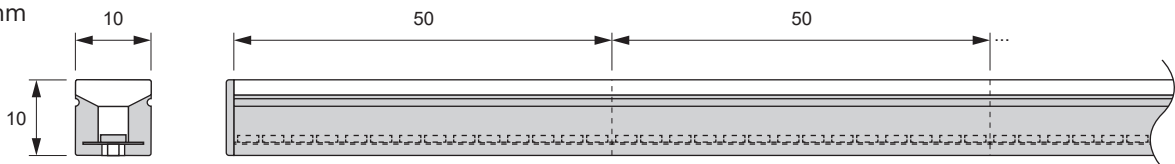
LED Strip Octopus RGB 24 V	Length (mm)	Power (W/m)	Color Temperature	Ref.
Octopus RGB 6x12	5000	12.0	RGB	2000951
Octopus RGB 10x10	4000	3.4		941900413

Dimensions

6x12 mm



10x10 mm



Connectors



RGB control system Frankfurt series



Cables	Length (mm)	Ref.
1 Power cord	2000	2000287
2 Connection cables	40	2000285
	500	2000286
	2000	2000693

RGB control 24 V	Leistung (W)	Ref.
1 RGB control	15	2000288
	30	2000289
	60	2000290
2 RGB remote control with rotary wheel		2000291
3 RGB 4-channel remote control		2000292

Profiles.

PROFILES



**RECESSED
PROFILES**



62
MEC PORTO MINI 2



62
MEC PORTO 2



62
MEC MANILA



63
MEC MANILA IV



63
MEC MALINDI



63
MEC LONDON



64
MEC PARIS



64
MEC PRAG



64
MEC VENICE MINI



65
MEC MANILA
PLUS R



65
MEC GROOVE

**SURFACE-
MOUNTED
PROFILES**



66
MEC BASIC



66
MEC PORTO MINI 1



66
MEC PORTO 1



67
MEC BALI



67
MEC QUATTRO
MINI



67
MEC BASEL



68
MEC WTU



68
MEC ICE



68
MEC QUATTRO



69
MEC PORTO MINI 6



69
MEC VEDUA



69
MEC DERBY II



70
MEC PORTO 3



70
MEC PORTO 5



70
MEC KEL



71
MEC LAGOS I



71
MEC LAGOS II



71
MEC LAGOS III



72
MEC GLASS



72
MEC FLY



72
MEC VENICE A

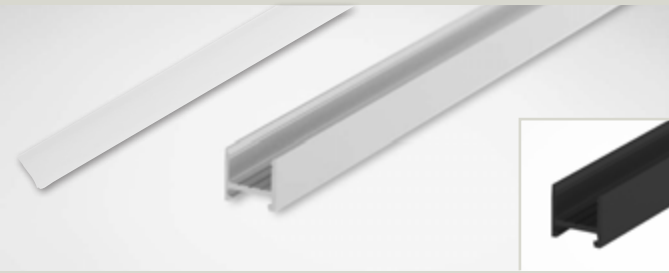


73
MEC RACK



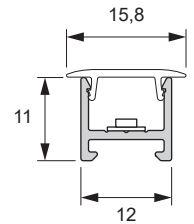
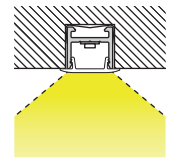
73
MEC OCTOPUS

Mec Porto Mini 2



Product features: Recessed profile
 Material: Aluminum
 Color: Silver finish / Black
 Dimensions: 3000x12x11 mm
 Groove dimensions: 13x12 mm

Usable LED strips and lighting effect on p. 244



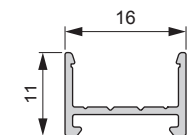
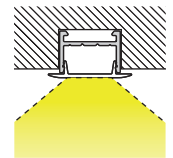
Mec Porto Mini 2	Length (mm)	Color	Ref.
Lighting profile	3000	Silver finish	2000817
Diffuser profile		Black	2000818
		Opal	2000824
Mounting set			2000825

Mec Porto 2



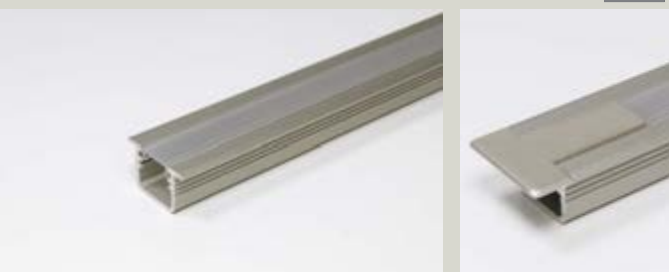
Product features: Recessed profile
 Material: Aluminum EV1
 Color: Silver finish
 Dimensions: 3000x16x11 mm
 Groove dimensions: 17x12 mm

Usable LED strips and lighting effect on p. 244



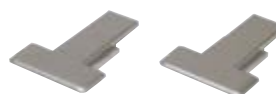
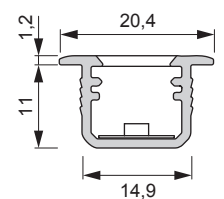
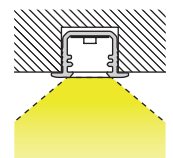
Mec Porto 2	Length (mm)	Color	Ref.
Lighting profile	3000	Silver finish	2000307
Diffuser profile		Opal	2000313
Mounting set			2000318

Mec Manila



Product features: Recessed profile
 Material: Aluminum EV1
 Color: Silver finish
 Dimensions: 2500x20.4x12.2 mm
 Groove dimensions: 15x12 mm

Usable LED strips and lighting effect on p. 244



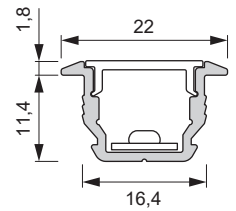
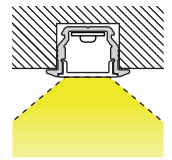
Mec Manila	Length (mm)	Color	Ref.
Lighting profile	2500	Silver finish	2000323
Diffuser profile		Opal	2000324
End cap set		Silver finish	2000325

Mec Manila IV



Product features: Recessed profile
 Material: Aluminum EV1
 Color: Silver finish / Black
 Dimensions: 2500x22x13.2 mm
 Groove dimensions: 17x12 mm

Usable LED strips and lighting effect on p. 244



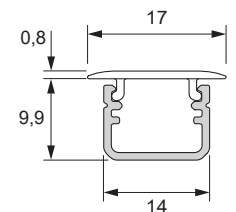
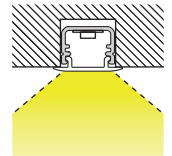
Mec Manila IV	Length (mm)	Color	Ref.
Lighting profile	2500	Silver finish	2000319
		Black	2000506
Diffuser profile		Opal	2000320
		Black	2000507
End cap set		Silver finish	2000321
		Black	2000517
Set of mounting springs			2000322

Mec Malindi



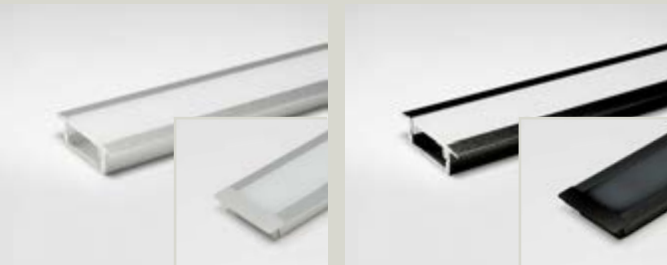
Product features: Recessed profile incl. opal cover
 Material: Aluminum
 Color: Silver finish
 Dimensions: 2500x14x12 mm

Usable LED strips and lighting effect on p. 244



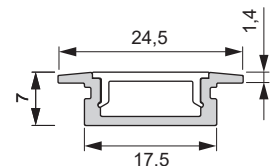
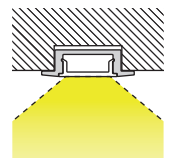
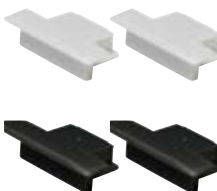
Mec Malindi	Length (mm)	Color	Ref.
Lighting profile	2500	Silver finish	2000724
End cap set		Opal	2000725
Mounting set (10 pcs)			2000726

Mec London



Product features: Recessed profile
 Material: Aluminum EV1
 Color: Silver finish / Black
 Dimensions: 3080x24.5x7 mm
 Groove dimensions: 17.5x7 mm

Usable LED strips and lighting effect on p. 244



Mec London	Length (mm)	Color	Ref.
Lighting profile	3080*	Silver finish	2000335
		Black	2000502
Diffuser profile		Opal	2000478
		Black	2000508
End cap set		Silver finish	2000336
		Black	2000503
Lighting profile Big pack, PU 50 pcs.	2000	Silver finish	2000640
Diffuser profile Big pack, PU 50 pcs.	6000	Opal	2000641

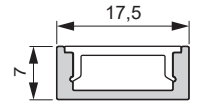
* Length including contact points

Mec Paris



Product features: Recessed profile
 Material: Aluminum EV1
 Color: Silver finish / Black
 Dimensions: 3080x17.5x7 mm

Usable LED strips and lighting effect on p. 244



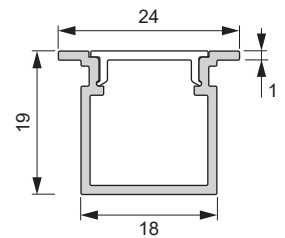
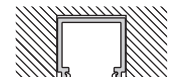
Mec Paris	Length (mm)	Color	Ref.
Lighting profile	3080*	Silver finish	2000338
		Black	2000504
Diffuser profile	3000	Opal	2000478
		Black	2000508
End cap set		Silver finish	2000339
		Black	2000505
Lighting profile Big pack, PU 50 pcs.	2000	Silver finish	2000639
Diffuser profile Big pack, PU 50 pcs.	6000	Opal	2000641

Mec Prag



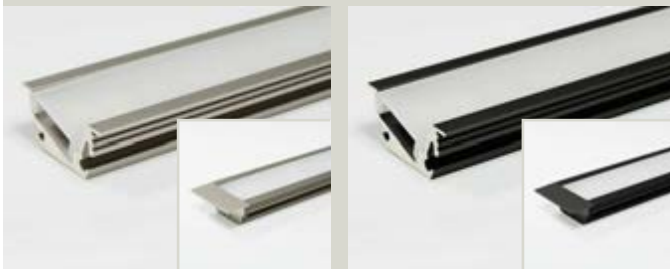
Product features: Recessed profile
 Material: Aluminum EV1
 Color: Silver finish
 Dimensions: 3000x24x19 mm
 Groove dimensions: 18x19 mm

Usable LED strips and lighting effect on p. 244



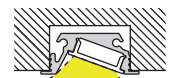
Mec Prag	Length (mm)	Color	Ref.
Lighting profile	3080*	Silver finish	2000341
Diffuser profile	3000	Opal	2000478
End cap set		Silver finish	2000342

Mec Venice Mini



Product features: Recessed profile
 Material: Aluminum
 Color: Stainless steel finish / Black
 Dimensions: 2500x26x11.75 mm
 Groove dimensions: 23x11 mm

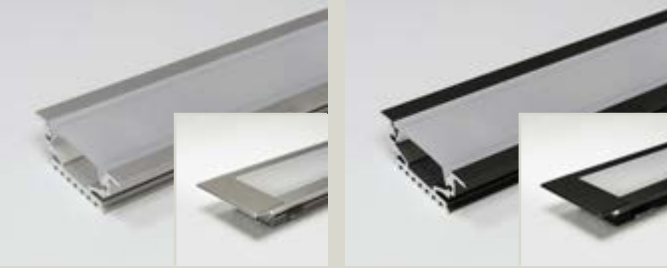
Usable LED strips and lighting effect on p. 244



Mec Venice Mini	Length (mm)	Color	Ref.
Lighting profile	2500	Stainless steel finish	2000326
		Black	2000535
Diffuser profile		Opal	2000320
		Black	2000507
End cap set		Stainless steel finish	2000327
		Black	2000536
Mounting set			2000328

* Length including contact points

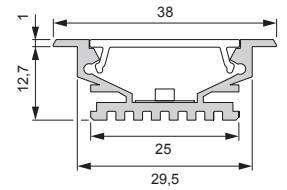
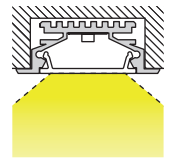
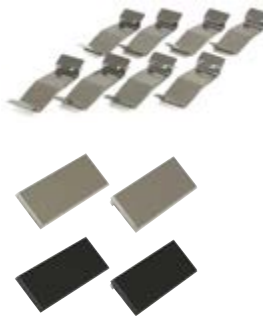
Mec Manila Plus R



Product features: Recessed profile
 Material: Aluminum
 Color: Stainless steel finish / Black
 Dimensions: 2500x38x13.7 mm
 Groove dimensions: 30x13 mm

Usable LED strips and lighting effect on p. 244

Dimensions



Mec Manila Plus R	Length (mm)	Color	Ref.
Lighting profile	2500	Stainless steel finish	2000350
		Black	2000539
Diffuser profile		Opal	2000351
End cap set		Stainless steel finish	2000352
		Black	2000540
Mounting spring set (8 pcs.)			2000353

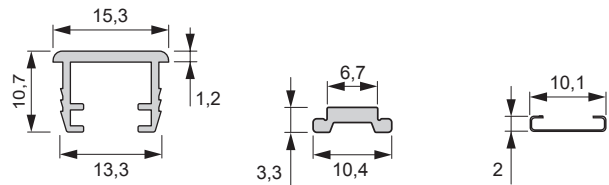
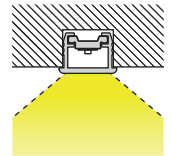
Mec Groove



Product features: Recessed profile
 For 8 mm LED Tudo < 9.6 W with flexi adapter
 For 8 mm LED Tudo ≥ 9.6 W with slide-in profile
 Material: Plastic
 Color: Transparent / Opal
 Dimensions: 15.3x10.7 mm
 Groove dimensions: 13.3x12 mm

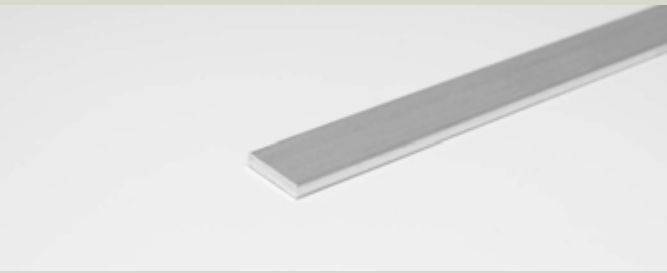
Usable LED strips and lighting effect on p. 244

Dimensions



Mec Groove	Length (mm)	Color	Ref.
Lighting profile	2000	Transparent	2000368
	2350	Opal	2000369
Slide-in profile	2500	Aluminum	2000361
Flexi adapter	2350	Gray	2000367

Mec Basic

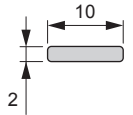


Product features: 10x2 mm
Aluminum bare
To operate as a cooling bar

Material: Aluminum

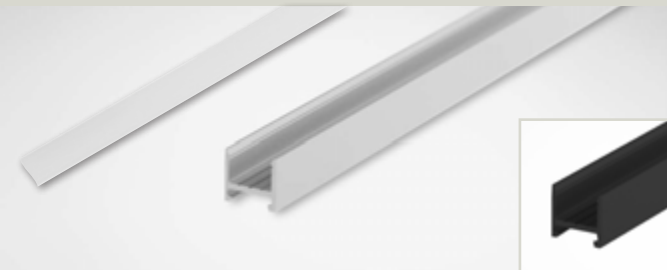
Color: Aluminum

Dimensions: 2500x10x2 mm



Mec Basic	Length (mm)	Color	Ref.
Lighting profile	2500	Aluminum	2000360

Mec Porto Mini 1



Product features: LED mounting profile

Material: Aluminum

Color: Silver finish / Black

Dimensions: 3000x12x11 mm



MecPorto Mini 1	Length (mm)	Color	Ref.
Lighting profile	3000	Silver finish	2000817
		Black	2000818
Diffuser profile		Opal	2000819
End cap set		Silver finish	2000820
		Black	2000821
Mounting set			2000822

Usable LED strips and lighting effect on p. 244

Mec Porto 1

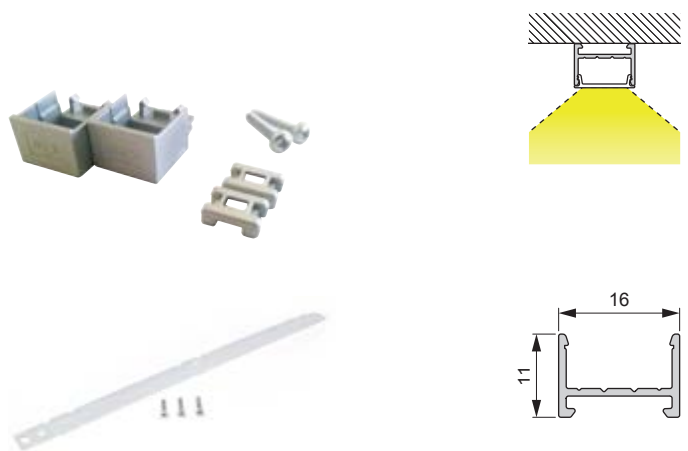


Product features: Surface-mounted profile

Material: Aluminum EV1

Color: Silver finish

Dimensions: 3000x16x11 mm



Mec Porto 1	Length (mm)	Color	Ref.
Lighting profile	3000	Silver finish	2000307
Diffuser profile		Opal	2000312
End cap set		Silver finish	2000314
Mounting set			2000349

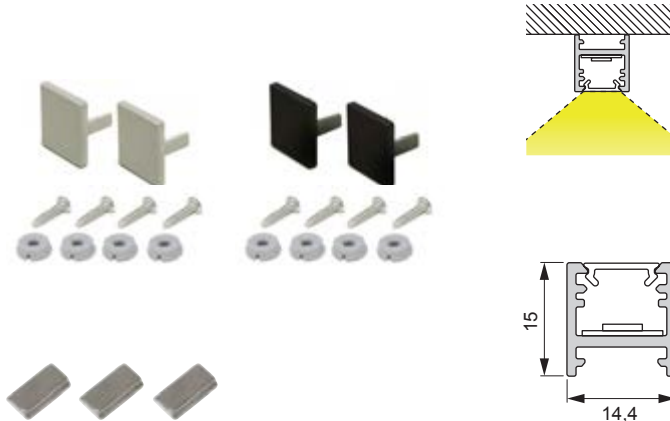
Usable LED strips and lighting effect on p. 244

Mec Bali



Product features: Surface-mounted profile
 Material: Aluminum EV1
 Color: Silver finish / Black
 Dimensions: 2500x15x14.4 mm

Usable LED strips and lighting effect on p. 244



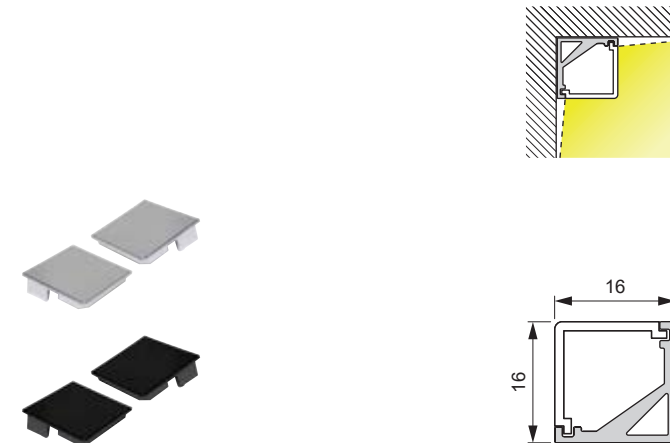
Mec Bali	Length (mm)	Color	Ref.
Lighting profile	2500	Silver finish	2000329
		Black	2000520
Diffuser profile		Opal	2000324
End cap set		Silver finish	2000330
		Black	2000521
Magnetic mounting set			2000331

Mec Quattro Mini



Product features: Surface-mounted profile incl. opal diffuser
 Material: Aluminum EV1
 Color: Silver finish / Black
 Dimensions: 2500x16x16 mm

Usable LED strips and lighting effect on p. 244



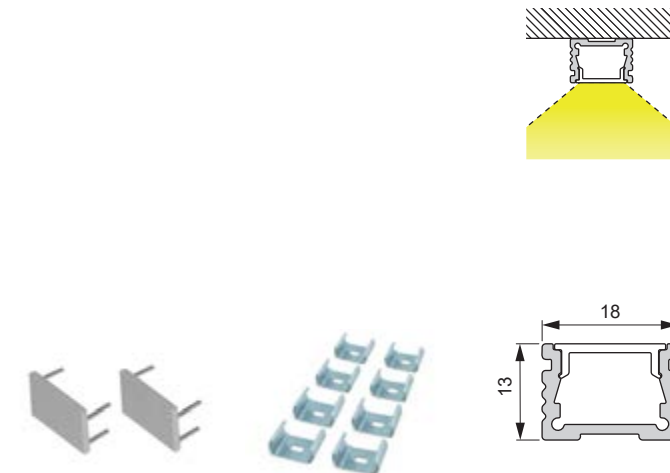
Mec Quattro Mini	Length (mm)	Color	Ref.
Lighting profile	2500	Silver finish	2000343
		Black	2000537
End cap set		Chrome	2000344
		Black	2000538

Mec Basel



Product features: Surface-mounted profile incl. opal diffuser
 Material: Aluminum EV1
 Color: Silver finish / Black
 Dimensions: 2500x16x16 mm

Usable LED strips and lighting effect on p. 244



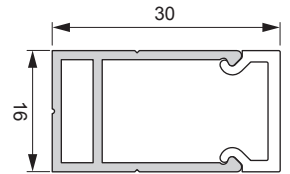
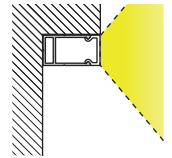
Mec Quattro Mini	Length (mm)	Color	Ref.
Lighting profile	2500	Silver finish	942800552
End cap set			600900081
Set of mounting springs			753000003

Mec WTU



Product features: Surface-mounted profile with diffuser
 Material: Aluminum EV1
 Color: Silver finish
 Dimensions: 2500x16x30 mm

Usable LED strips and lighting effect on p. 244



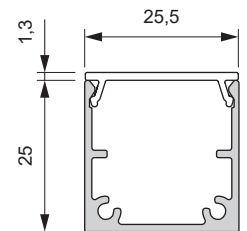
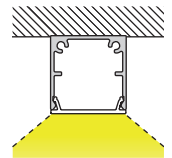
Mec WTU	Length (mm)	Color	Ref.
Lighting profile	2500	Silver finish	2000332
End cap set			2000333

Mec Ice



Product features: Surface-mounted profile
 Incl. Diffuser profile
 Material: Aluminum
 Color: Stainless steel finish / Black
 Dimensions: 2500x25.5x26.3 mm

Usable LED strips and lighting effect on p. 244



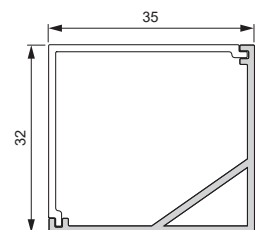
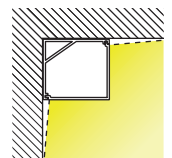
Mec Ice	Length (mm)	Color	Ref.
Lighting profile	2500	Stainless steel finish	2000952
		Black	2000953
End cap set		Stainless steel finish	2000954
		Black	2000955

Mec Quattro



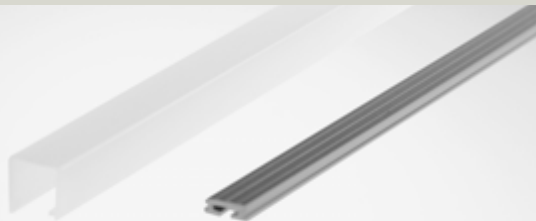
Product features: Surface-mounted profile incl. opal diffuser
 Material: Aluminum EV1
 Color: Silver finish
 Dimensions: 2500x35x32 mm

Usable LED strips and lighting effect on p. 244



Mec Quattro	Length (mm)	Color	Ref.
Lighting profile	2500	Silver finish	2000345
End cap set		Chrome	2000346

Mec Porto Mini 6



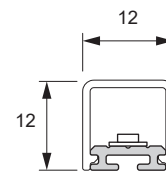
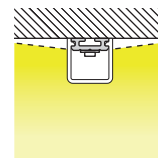
Product features: LED mounting profile
End cap set with 2x adhesive tape and strain relief

Material: Plastic

Color: Silver finish

Dimensions: 3000x12x12 mm

Usable LED strips and lighting effect on p. 244



Mec Porto Mini 6	Length (mm)	Color	Ref.
Lighting profile	3000	Silver finish	2000826
Diffuser profile		Opal	2000827
End cap set / Adhesive tape			2000828

Mec Vedula



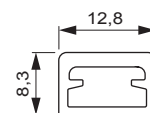
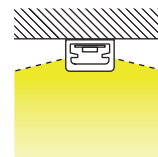
Product features: Surface-mounted profile
Mounting with double-sided adhesive tape

Material: Plastic

Color: Opal

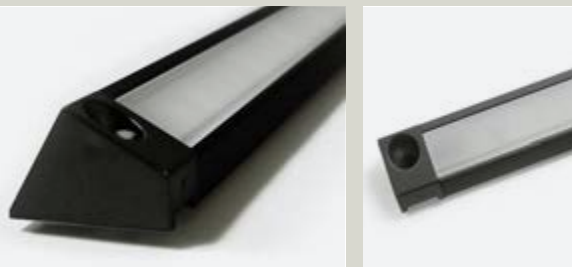
Dimensions: 2500x12.8x8.3 mm

Usable LED strips and lighting effect on p. 244



Mec Vedula	Length (mm)	Color	Ref.
Lighting profile	2500	Opal	2000363
	1800	Transparent	2000364

Mec Derby II



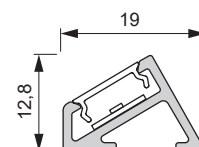
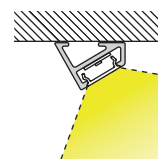
Product features: Surface-mounted profile

Material: Aluminum

Color: Black

Dimensions: 2500x19x12.8 mm

Usable LED strips and lighting effect on p. 244



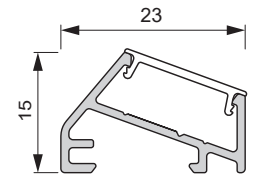
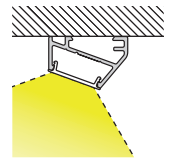
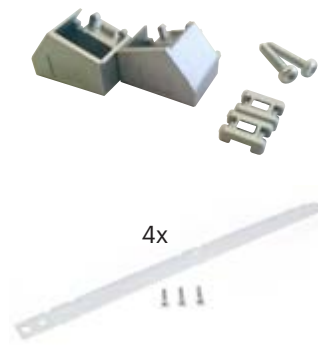
Mec Derby II	Length (mm)	Color	Ref.
Lighting profile	2500	Black	2000533
		Stainl. steel	2000967
Diffuser profile		Opal	2000324
End cap set		Black	2000534
		Stainl. steel	2000968
Magnetic mounting set (Set of 3)			2000541

Mec Porto 3



Product features: Surface-mounted profile
 Material: Aluminum EV1
 Color: Silver finish
 Dimensions: 3000x23x15 mm

Usable LED strips and lighting effect on p. 244



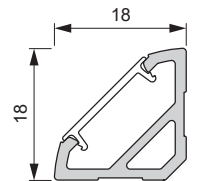
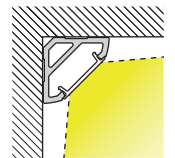
Mec Porto 3	Length (mm)	Color	Ref.
Porto 3 Lighting profile	3000	Silver finish	2000309
Diffuser profile		Opal	2000312
End cap set		Silver finish	2000315
Mounting set			2000349

Mec Porto 5



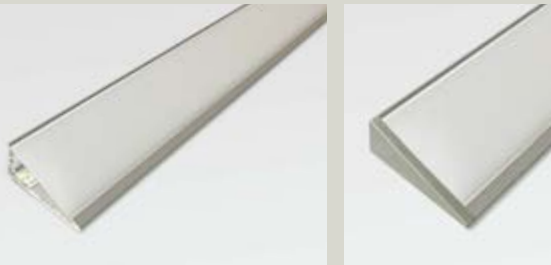
Product features: Surface-mounted profile
 Material: Aluminum EV1
 Color: Silver finish
 Dimensions: 3000x18x18 mm
 Groove dimensions: 17x12 mm

Usable LED strips and lighting effect on p. 244



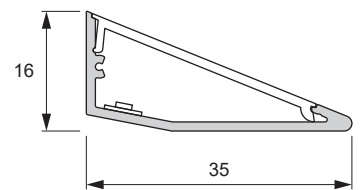
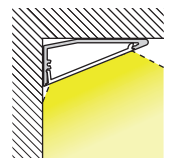
Mec Porto 5	Length (mm)	Color	Ref.
Lighting profile	3000	Silver finish	2000311
Diffuser profile		Opal	2000312
End cap set		Silver finish	2000316

Mec Kel



Product features: Surface-mounted profile
 Incl. diffuser profile
 Material: Aluminum
 Color: Silver finish
 Dimensions: 2500x35x16 mm

Usable LED strips and lighting effect on p. 244



Mec Kel	Length (mm)	Color	Ref.
Lighting profile	2500	Silver finish	2000939
End cap set			2000940

Mec Lagos I



Product features: Front edge profile for cabinet ends
For grooving in 19 mm sides
Opal diffuser with silver colored film on front

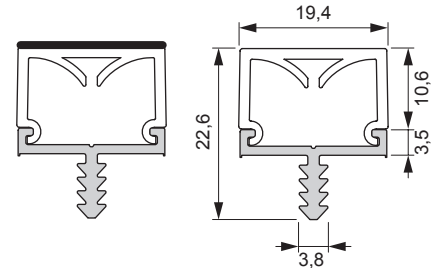
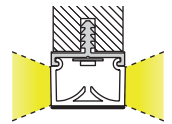
Material: Aluminum

Color: Silver finish

Dimensions: 3000x9,4x22,6 mm

Groove dimensions: 3.5x8.5 mm

Usable LED strips and lighting effect on p. 244



Mec Lagos I	Length (mm)	Color	Ref.
Lighting profile	3000	Silver finish	2000476
End cap set			2000705

Mec Lagos II



Product features: Front edge profile for cabinet ends
For grooving in 19 mm sides
Opal cover with silver colored film on front and side

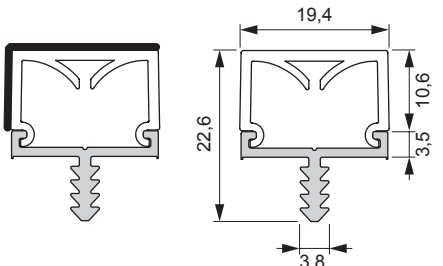
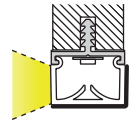
Material: Aluminum

Color: Silver finish

Dimensions: 3000x9,4x22,6 mm

Groove dimensions: 3.5x8.5 mm

Usable LED strips and lighting effect on p. 244



Mec Lagos II	Length (mm)	Color	Ref.
Lighting profile	3000	Silver finish	2000475
End cap set			2000705

Mec Lagos III



Product features: Front edge profile for cabinet ends
For grooving in 19 mm sides
Opal cover without film

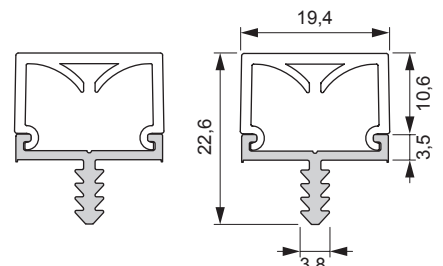
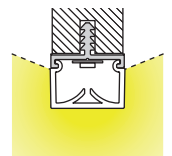
Material: Aluminum

Color: Silver finish

Dimensions: 3000x9,4x22,6 mm

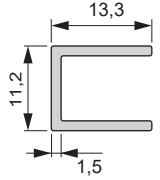
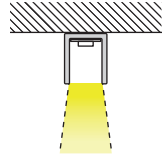
Groove dimensions: 3.5x8.5 mm

Usable LED strips and lighting effect on p. 244



Mec Lagos II	Length (mm)	Color	Ref.
Lighting profile	3000	Silver finish	2000477
End cap set			2000705

Mec Glass



Product features: Surface-mounted profile
Glass edge profile
For 8 mm glass shelves
Material thickness: 1,5 mm

Material: Aluminum EV1

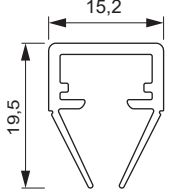
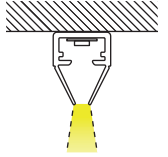
Color: Silver finish

Dimensions: 2500x13x11 mm

Usable LED strips and lighting effect on p. 244

Mec Glass	Length (mm)	Color	Ref.
Lighting profile	2500	Silver finish	2000359

Mec Fly



Product features: Surface-mounted profile
Glass edge profile
For 6-8 mm glass shelves
Reduction glass shelf depth: 10 mm

Material: Plastic

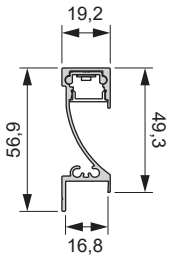
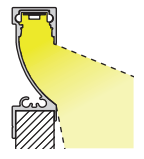
Color: Stainless steel finish/Opal

Dimensions: 2050x15.2x19.2 mm

Usable LED strips and lighting effect on p. 244

Mec Fly	Length (mm)	Color	Ref.
Lighting profile	2050	Stainless steel finish/Opal	2000362

Mec Venice A



Product features: Top profile for 16 mm niche panels
Total width incl. End caps: 2700 mm
Holes for cable outlet
Including adapter profile

Material: Aluminum

Color: Stainless steel finish

Dimensions: 2700x19.2x56.9 mm (incl. end caps)

Usable LED strips and lighting effect on p. 244

Mec Venice A	Length (mm)	Color	Ref.
Top profile	2696	Stainless steel finish	2000883
		Black	2000884
End cap set		Stainless steel finish	2000885
		Black	2000886

Mec Rack



Product features: Surface-mounted profile
Mounting on the side of the cabinet or through the top shelf

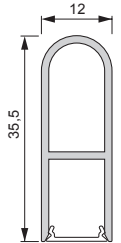
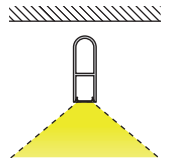
Cutting length: Inner cabinet width -35 mm

Material: Aluminum

Color: Silver finish / Black

Dimensions: 3000x12x35.5 mm

Usable LED strips and lighting effect on p. 244



Mec Rack	Length (mm)	Color	Ref.
Lighting profile	3000	Silver finish	2000509
		Black	2000511
Diffuser profile		Opal	2000513
Wall bearing set 2-piece without connection cable		Silver finish	2000510
		Black	2000512
Wall bearing set with connection cable without motion sensor		Silver finish	2000837
		Black	2000838
Wall bearing set with connection cable with motion sensor		Silver finish	2000839
		Black	2000840
Center bearing		Silver finish	2000841
		Black	2000842

Mec Octopus

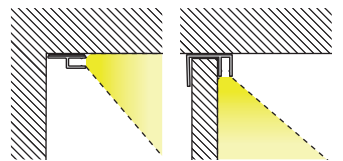


Product features: For use as a base lighting
Suitable for 4x10 mm Octopus LED strips
To stick on with horizontal light emission
For clipping with light emission downwards

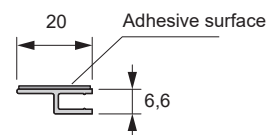
Material: Aluminum

Color: Stainless steel finish / Black

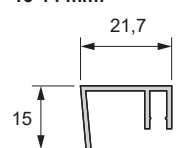
Dimensions: 2200x20x6.6 mm
150x21.7x15 mm
2200x21.7x15 mm



To stick on:



To clip on base 13-14 mm:



Mec Ice	Length (mm)	Ref.
to stick on	2200	2000794
to clip on (Set with 15 pcs.)	150	2000793
to clip on	2200	2000871

Linear.

LINEAR

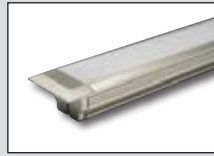
Black Forest Ham
Smoked Turkey
Smoked Duck



LINEAR LIGHTS



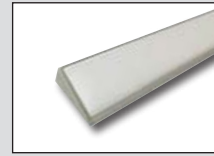
76
MALINDI



78
MANILA IV



80
MINI NOOR 2



82
KEL



84
MINI TUBULAR IC 2



86
NUBIO



88
KITON EDC



90
DERBY II



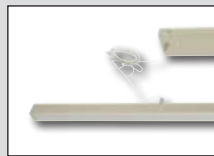
92
QUATTRO PLUS



94
BALI



96
MEC RACK



98
**PENDANT LIGHT
ICE**

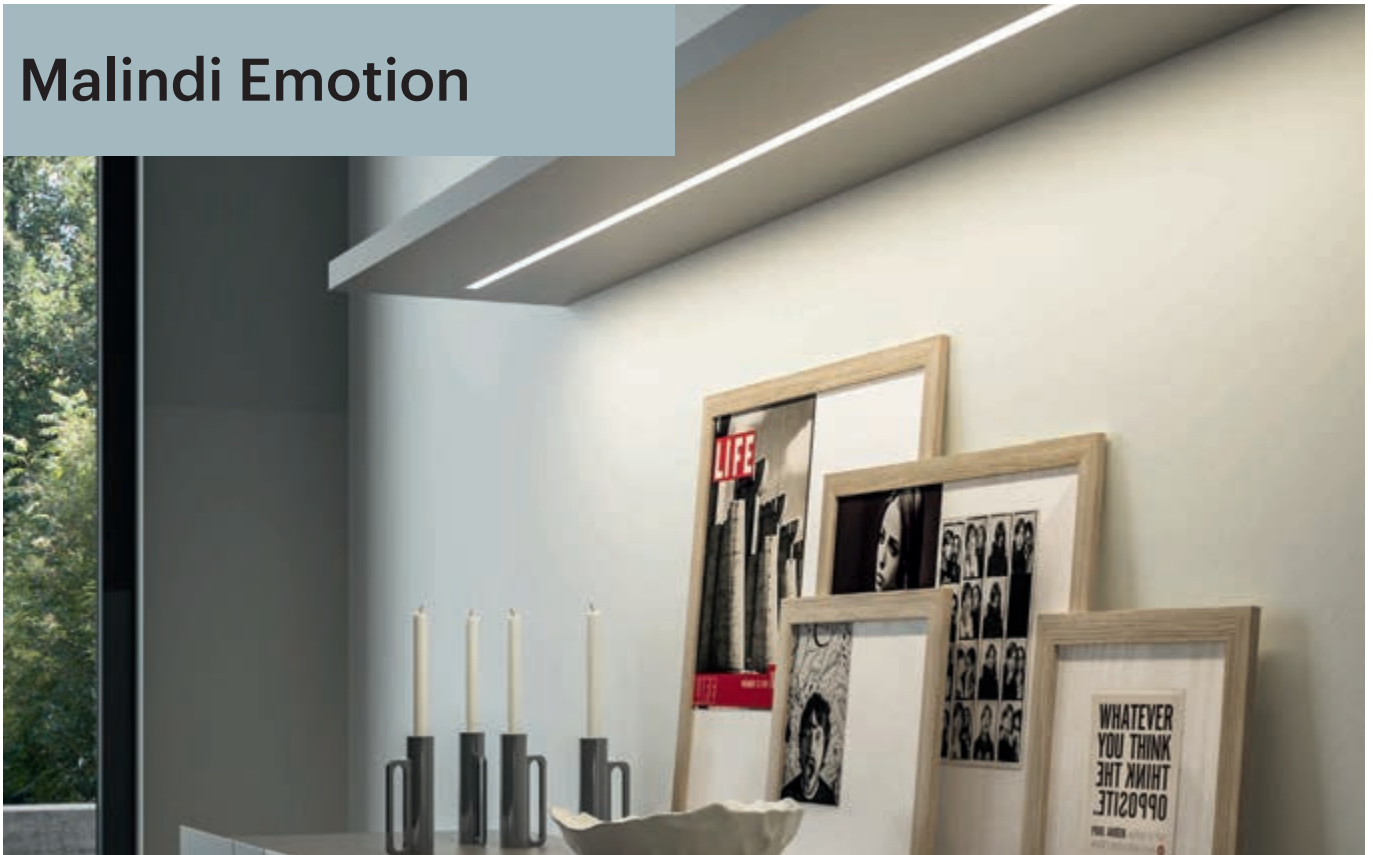


100
SNITE LED

LINEAR



Malindi Emotion

LINEAR



- Elegant LED recessed lighting profile with a low installation height
- Diffused light source with continuous light output
- Scratch-resistant surface
- Dimmable with continuously adjustable color temperature using Emotion technology
- Includes end caps and metal clips for mounting

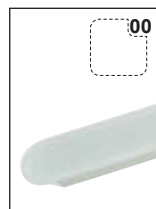
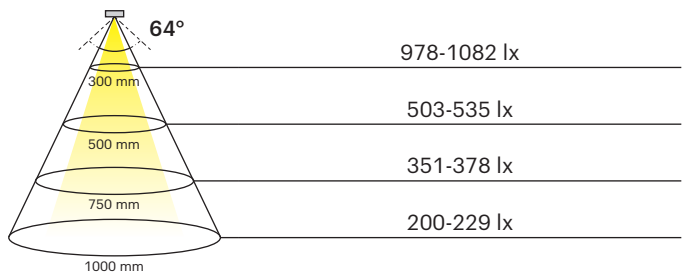
Malindi Emotion

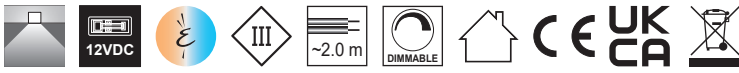
	
Power (W):	15.5 W/m
Luminous flux:	1170-1440 lm
Luminous efficacy:	75-93 lm/W
Number of LEDs:	120+120
Material:	Aluminium
IP protection:	IP20
Connection cord:	2000 mm
Energy efficiency class:	
Start color:	Warm white (with Emotion adapter cable: Cool white)

Photometrics

CRI >80 L= 1167 mm

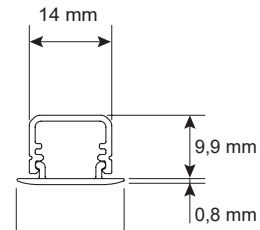
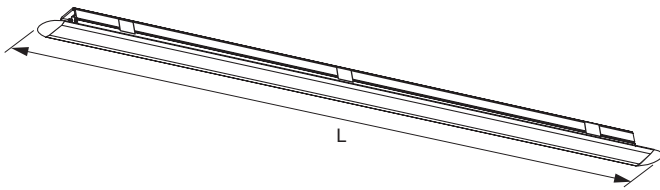
2700-6500 K



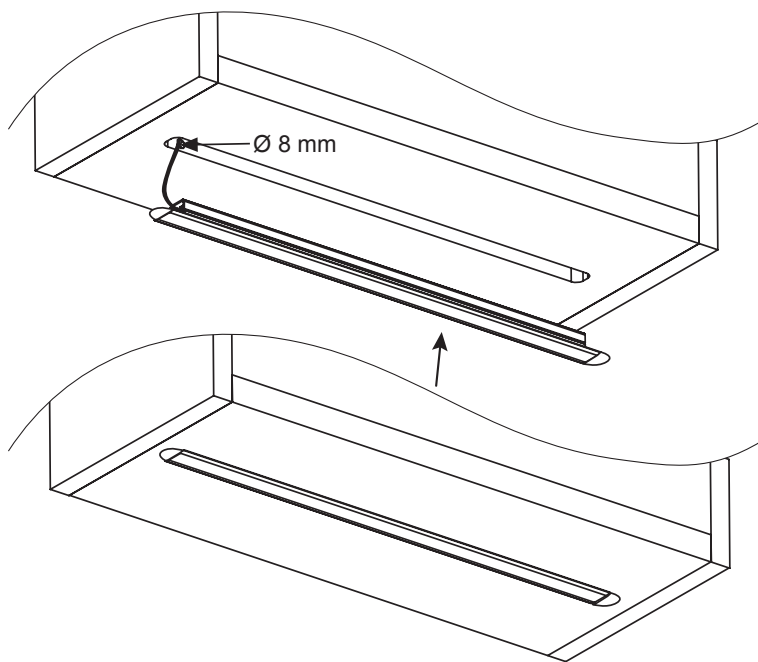


Malindi Emotion	Color Temperature (K)	Length (mm)	Power (W)	Color	Ref.
Malindi Emotion	Emotion	367	5.0	Opal	2000088
		467	6.6		2000089
		567	8.1		2000090
		867	12.8		2000091
		1167	17.4		2000092
		Custom length			On request
Emotion adapter cable 12 V					2000436

Dimensions



Installation



Emotion control systems

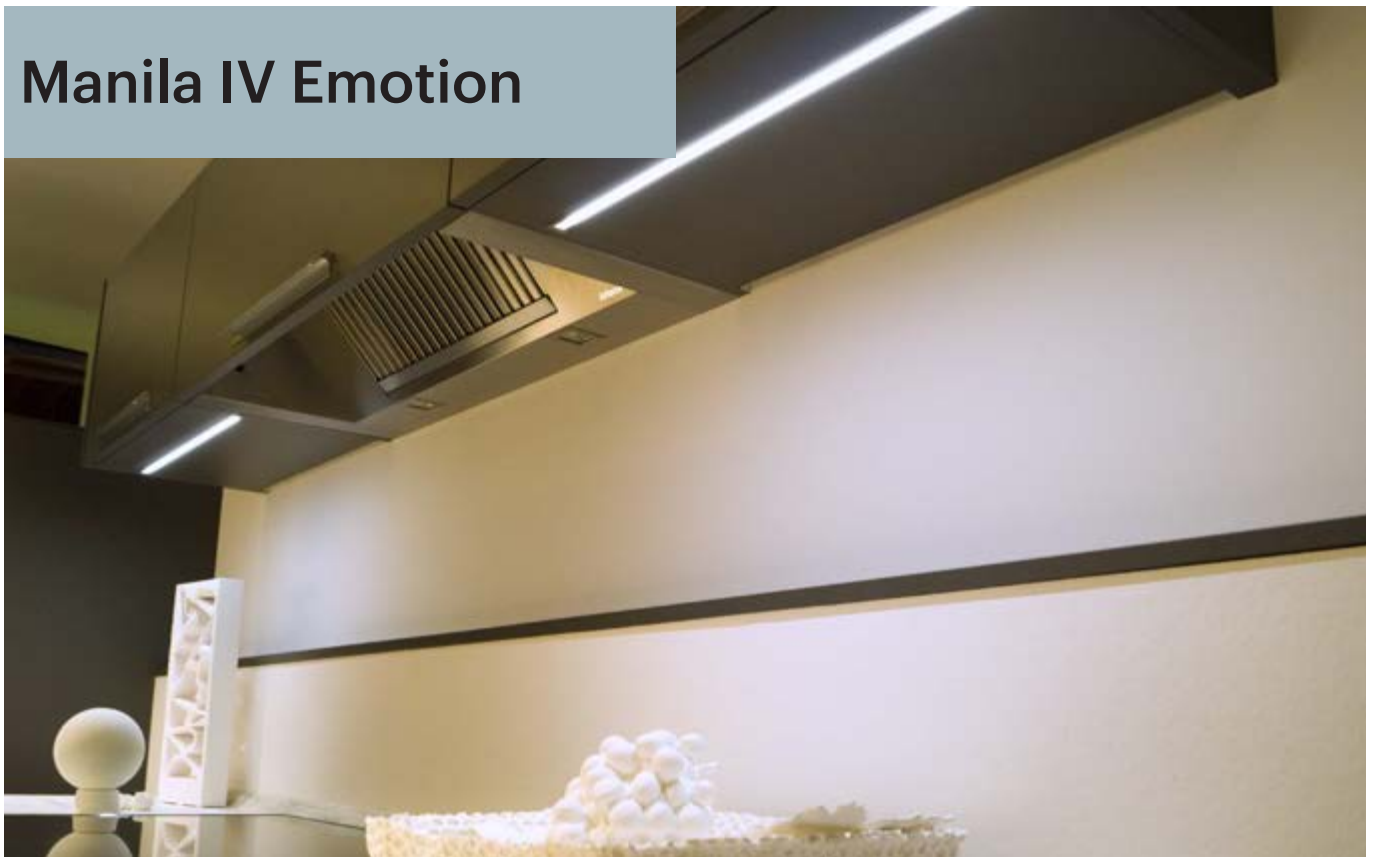


see chapter „Controls“ from page 174

LINEAR

Manila IV Emotion

LINEAR



- Elegant LED recessed profile with a small installation depth
- Diffused light source with continuous light output
- Dimmable with continuously adjustable color temperature using Emotion technology
- Includes end caps and metal clips for mounting

Manila IV Emotion

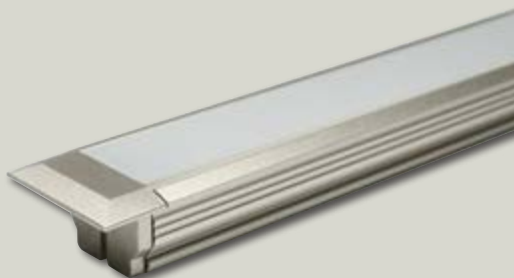
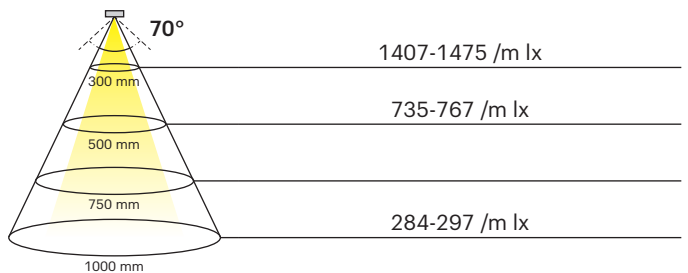
Power (W):	15.5 W/m
Luminous flux:	1170-1440 lm/m
Luminous efficacy:	75-93 lm/W
Number of LEDs:	120+120
Material:	Aluminium
IP protection:	IP20
Connection cord:	2000 mm
Energy efficiency class:	F
Start color:	Warm white (with Emotion adapter cable: Cool white)

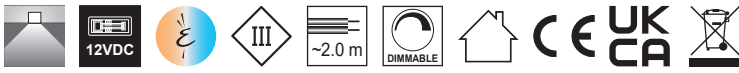


Photometrics

CRI >80 L= 967 mm

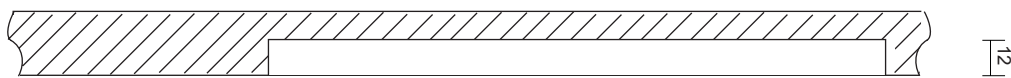
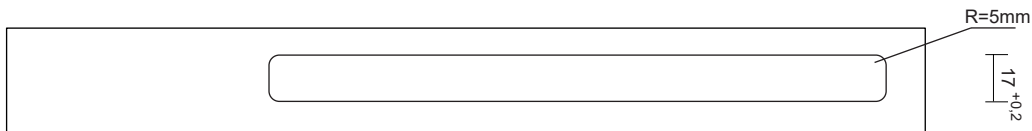
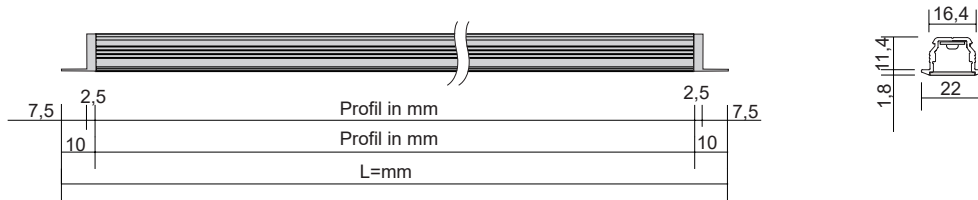
2700-6500 K



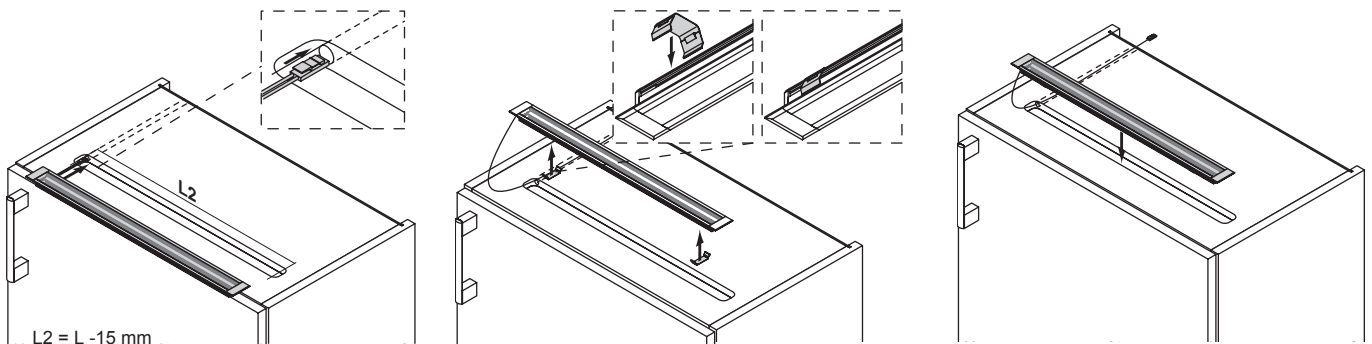


Manila IV Emotion	Color Temperature (K)	Length (mm)	Power (W)	Color	Ref.
Manila IV Emotion	Emotion	367	5.04	Stainless steel finish	2000093
		467	6.56		2000094
		567	8.14		2000095
		767	11.24		2000096
		867	12.97		2000097
		967	14.34		2000098
		1167	17.44		2000099
		Custom length			On request
Emotion adapter cable 12 V					2000436

Dimensions



Installation



Emotion control systems



see chapter „Controls“ from page 174

Mini Noor 2

LINEAR



- Inconspicuous and versatile
- Recessed installation with mounting brackets
- Uniform light diffusion
- Perfect for shelf or cabinet interior lighting
- Light color Warm white or Natural white (adapter cable included)

Mini Noor 2

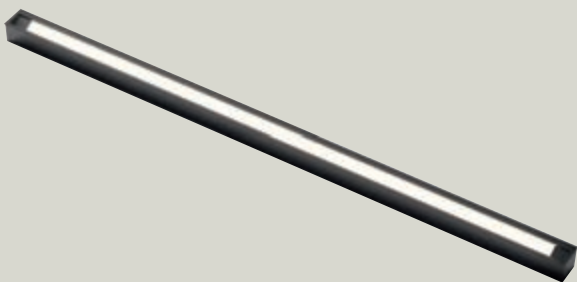
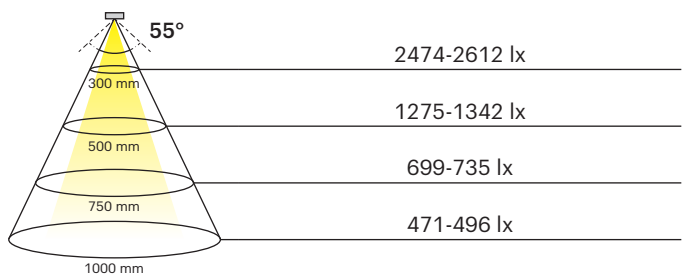
Power (W):	9.6 W/m
Luminous flux:	1296 lm
Luminous efficacy:	135 lm/W
Number of LEDs:	184+184
Material:	Aluminum
IP protection:	IP20
Connection cord:	3000 mm
Energy efficiency class:	E
Start color:	Warm white (with Emotion adapter cable: Cool white)

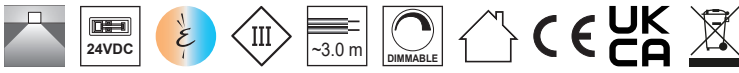


Photometrics

CRI >80 L= 1000 mm

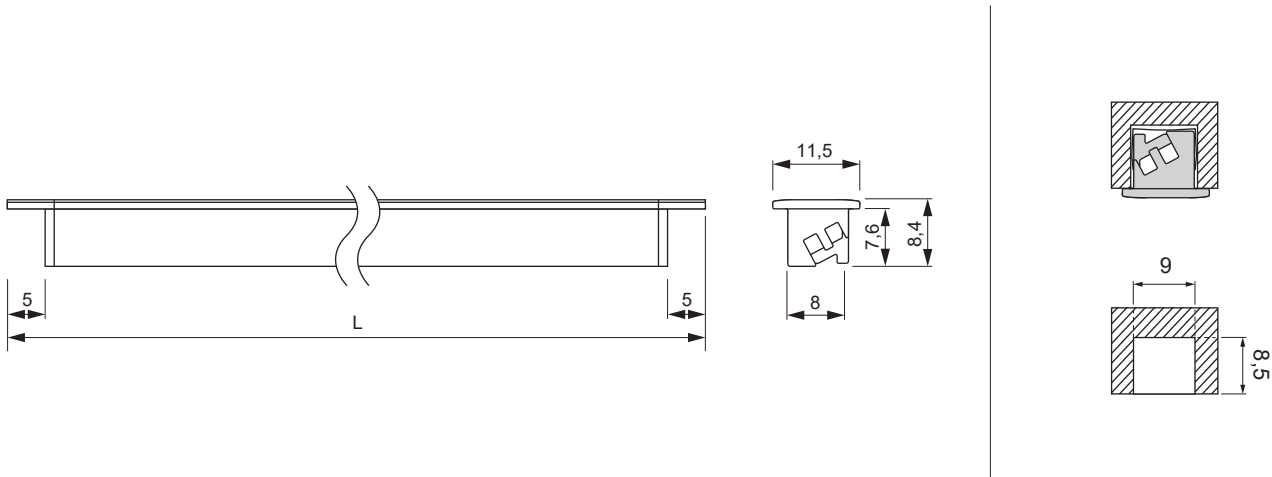
2700-6500 K





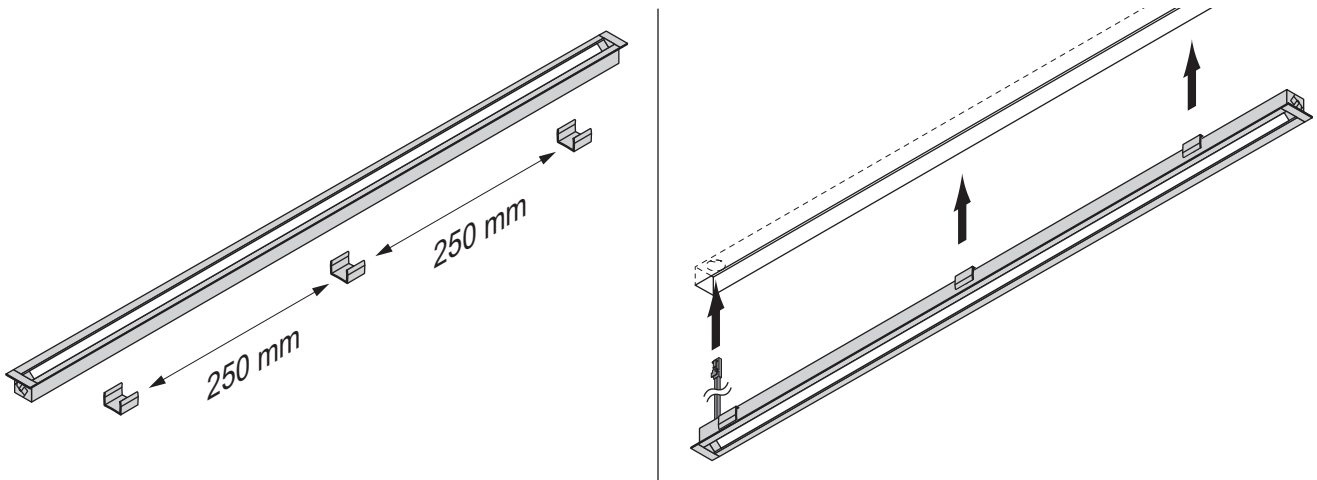
Mini Noor 2 HE	Cable exit	Color Temperature (K)	Length (mm)	Power (W)	Ref.
Mini Noor 2 HE	Right	Emotion	413	9.6	590600015
			563		590600016
			863		590600017
			1163		590600018
			Custom length		On request
Emotion adapter cable 24 V					2000437

Dimensions



LINEAR

Installation



Emotion control systems



see chapter „Controls“ from page 174

KEL

LINER



- Surface-mounted luminaire with opal cover
- High-quality aluminum profile
- Slim wedge-shaped design, only 16 mm mounting height
- Adhesive mounting
- Dimmable with continuously adjustable color temperature using Emotion technology

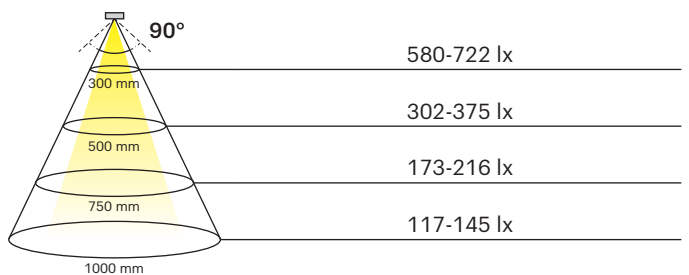
KEL

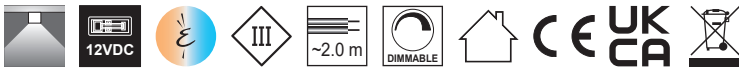
Power (W):	12 W/m
Luminous flux:	1020-1140 lm/m
Luminous efficacy:	85-95 lm/W
Number of LEDs:	120+120
Material:	Aluminium
IP protection:	IP20
Connection cord:	2000 mm
Energy efficiency class:	G
Start color:	Warm white (with Emotion adapter cable: Cool white)



Photometrics

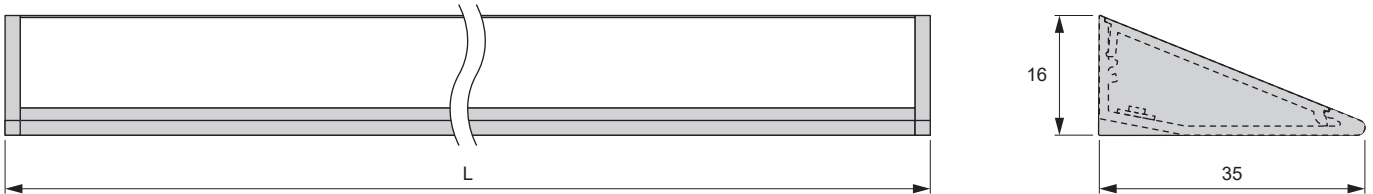
CRI 90 L= 1000 mm 2700-6500 K



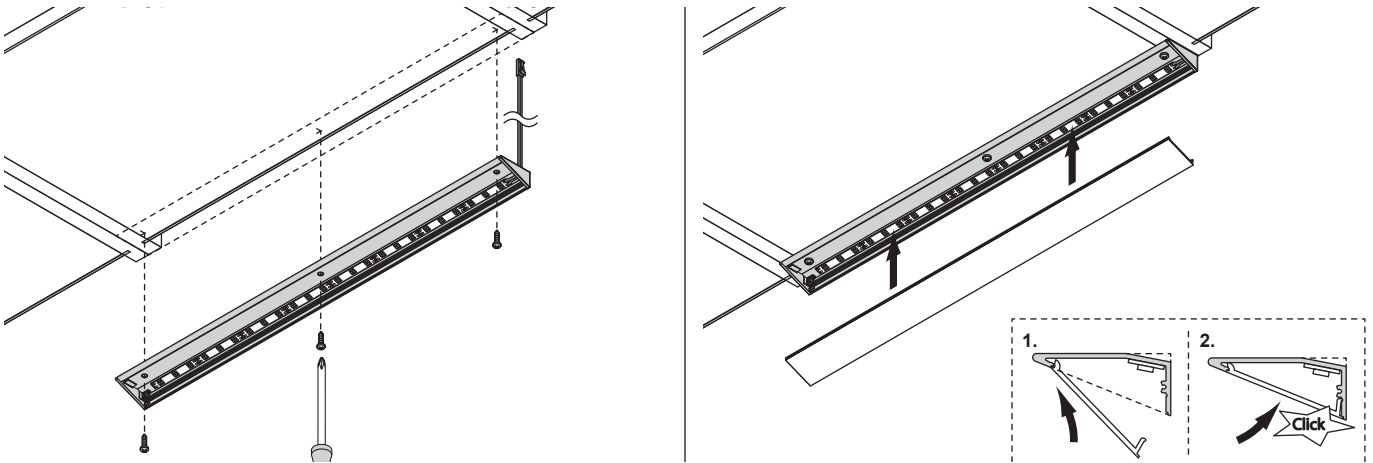


KEL	Color Temperature (K)	Length (mm)	Power (W)	Color	Ref.
KEL (surface mounted light)	Emotion	450	5.4	Silver finish	2000935
		600	7.2		2000936
		900	10.8		2000937
		1200	14.4		2000938
		Custom length			on request
Emotion adapter cable 12 V					2000436

Dimensions



Installation



LINEAR

Emotion control systems



see chapter „Controls“ from page 174

Mini Tubular IC 2

LINEAR



- Available in 5 lengths from 200 to 1140 mm
- Luminaires can be connected directly without additional accessories
- Aluminum cooling strip for maximum heat dissipation
- Integrated magnets included for quick mounting
- Wood mounting material included
- Dimmable with continuously adjustable color temperature using Emotion technology

Mini Tubular IC 2

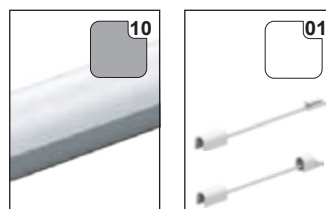
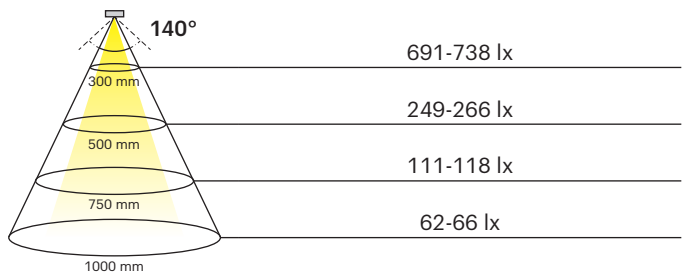
Power (W):	12 W/m
Luminous flux:	1080 lm/m
Luminous efficacy:	90 lm/W
Material:	Plastic
IP protection:	IP20
Energy efficiency class:	G
Start color:	Warm white (with Emotion adapter cable: Cool white)



Photometrics

CRI >90 L= 1140 mm

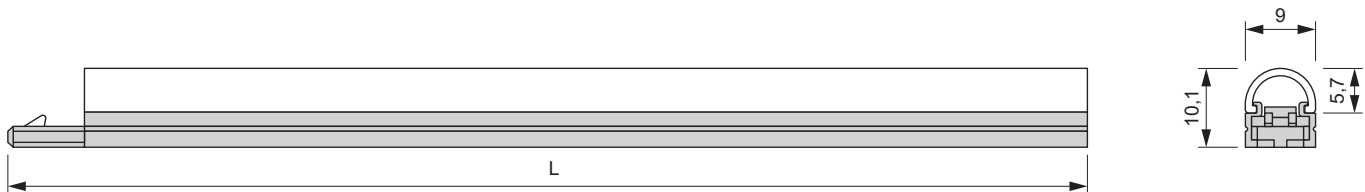
3000-5000 K



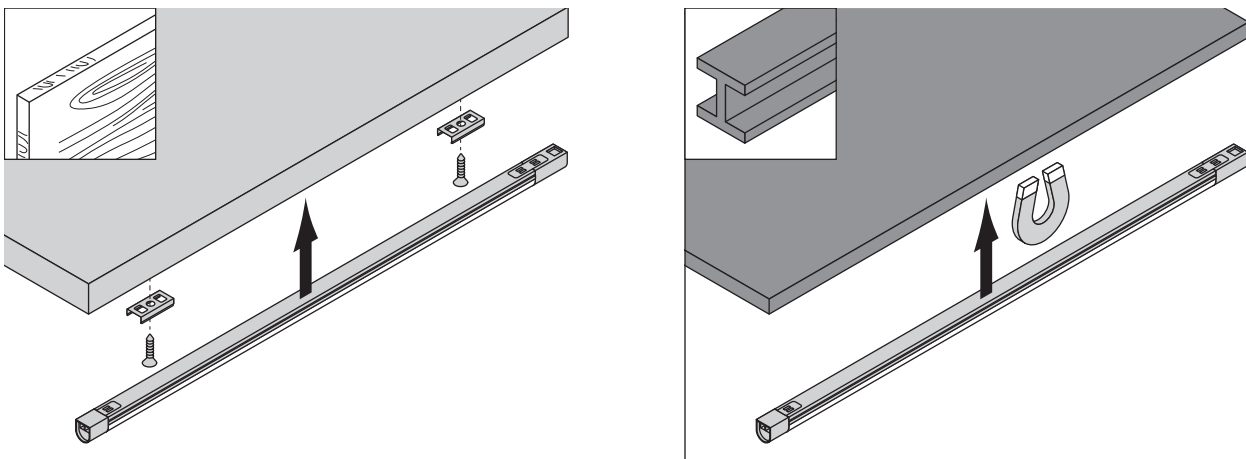


Mini Tubular IC 2	Color Temperature (K)	Length (mm)	Power (W)	Ref.
Mini Tubular IC 2	Emotion	200	2.4	2000960
		300	3.6	2000961
		570	6.8	2000962
		870	10.4	2000963
		1140	13.6	2000964
Emotion adapter cable 24 V				2000437

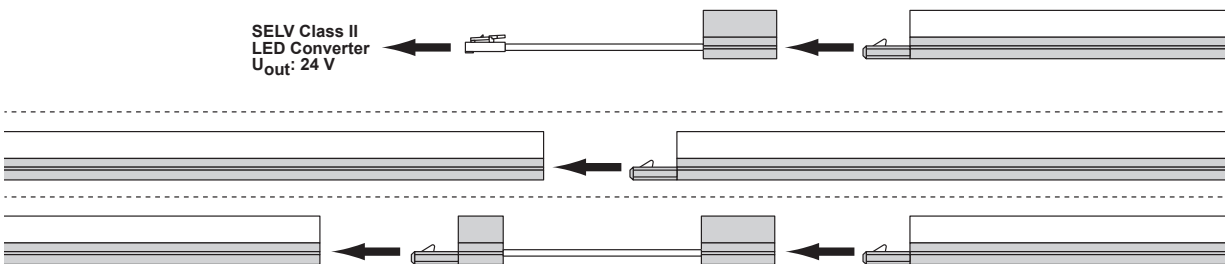
Dimensions



Installation



Connection



Accessories



Accessories	Length	Ref.
Mini Tubular IC 2 input cable	100	2000941
	2000	2000942
Mini Tubular IC 2 connection cable	25	2000943
	300	2000944
	1000	2000945

Emotion control systems



see chapter „Controls“ from page 174

LINEAR



Nubio Emotion



LINEAR

- Can be used as counter top lighting, backlighting, base lighting
- Diffuse light source without light spots
- Translucent profile with colored adhesive film
- Adhesive mounting with mounting brackets
- Dimmable with continuously adjustable color temperature using Emotion technology

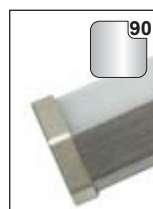
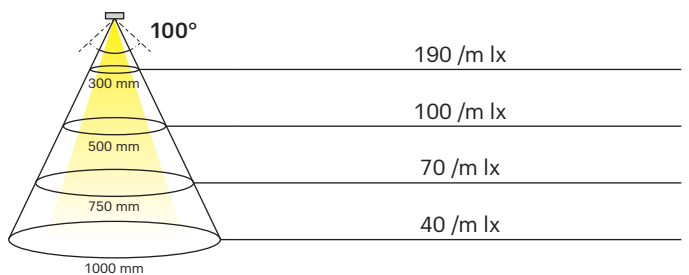
Nubio Emotion

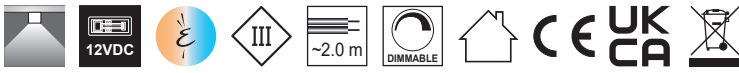
	
Power (W):	7.8 W/m
Luminous flux:	177-200 lm/m
Luminous efficacy:	75-93 lm/W
Number of LEDs:	60+60
Material:	Plastic
IP protection:	IP20
Connection cord:	2x 2000 mm
Energy efficiency class:	F 
Start color:	Warm white (with Emotion adapter cable: Cool white)

Photometrics

CRI >80 L= 2500 mm

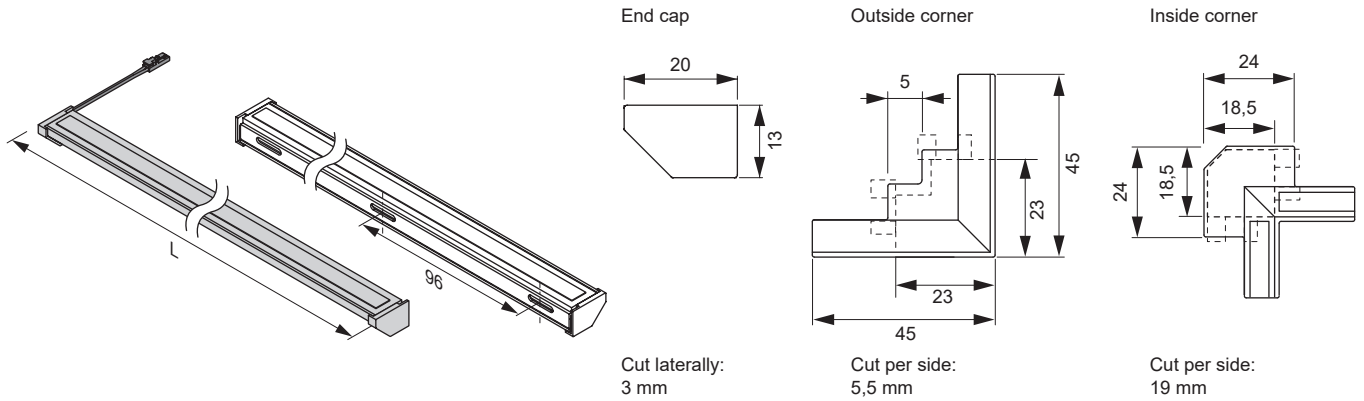
2700-6500 K



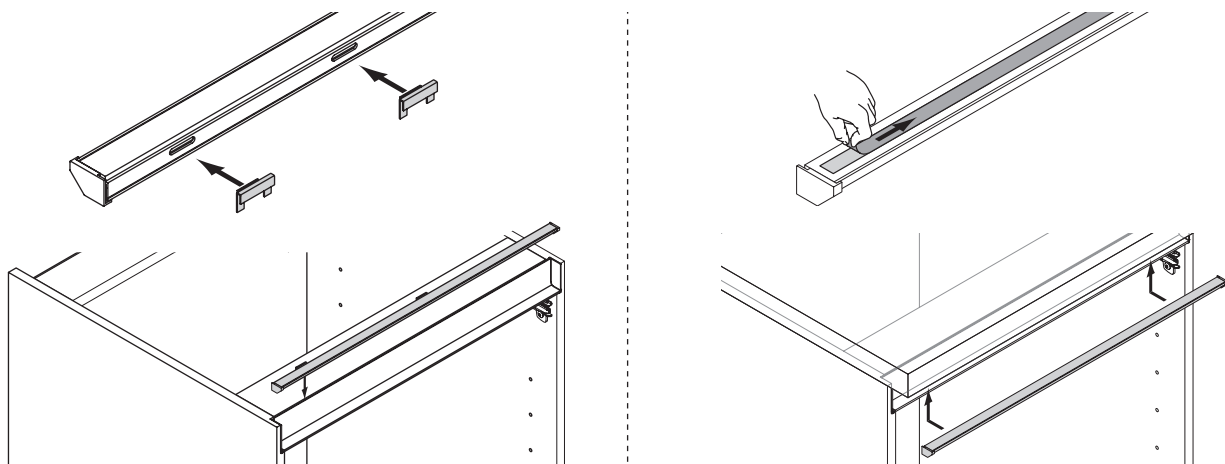


Nubio Emotion	Color Temperature (K)	Length (mm)	Power (W)	Color	Ref.
Nubio Emotion (incl. 2 end caps and mounting brackets)	Emotion	2500	19.5	Stainless steel finish	2000107
		Custom length			on request
Emotion adapter cable 12 V					2000436

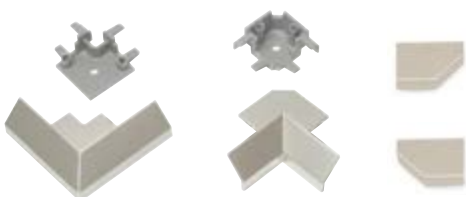
Dimensions



Installation



Accessories



Accessories	Ref.
Nubio assembly set: 2x end cap, 1x inside corner, 1x outside corner, connector	2000108

Emotion control systems



see chapter „Controls“ from page 174

LINEAR

Kiton EDC

LINEAR



- Surface-mounted luminaire in a low aluminum profile
- Installation in cupboards or drawers
- Integrated IR sensor
- Light temperature can be changed from Warm white to Natural white
- Light emission into the open drawer

Kiton EDC

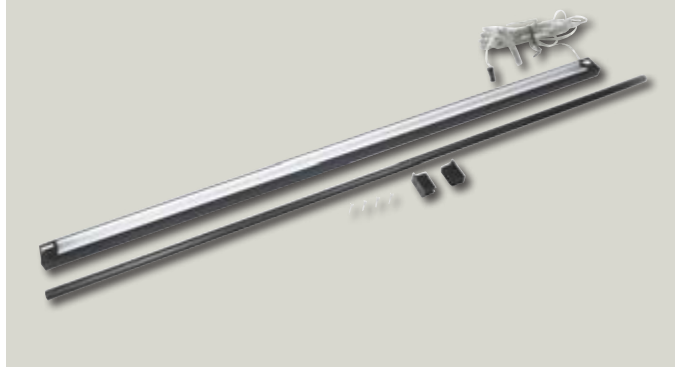
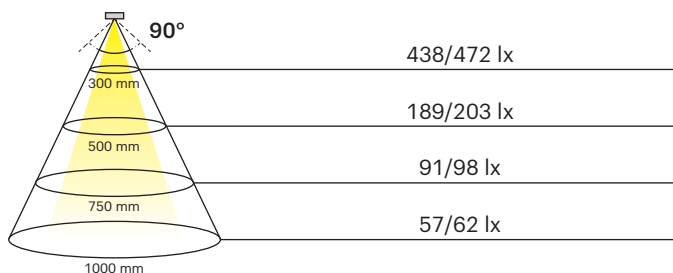
Power (W):	4.6-14.3 W
Luminous flux:	293 lm (L=561 mm)
Luminous efficacy:	45 lm/W
Number of LEDs:	120+120
Material:	Aluminium
IP protection:	IP20
Connection cord:	3000 mm
Energy efficiency class:	F
Start color:	Warm white (with Emotion adapter cable: Natural white)



Photometrics

CRI >80 L= 561 mm

3000/4000 K



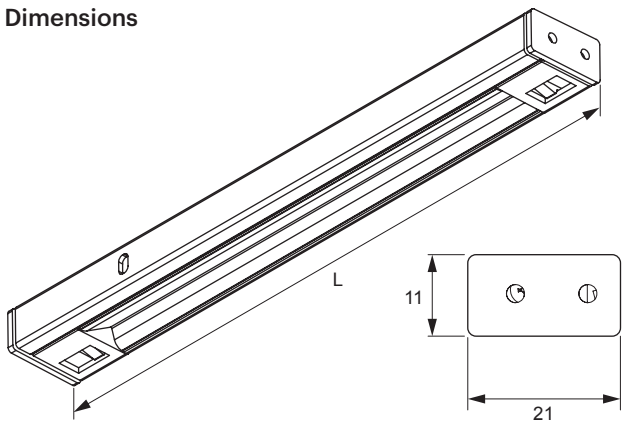


Kiton EDC	Color Temperature (K)	Length (mm)	Power (W)	Color	Ref.
Luminaire with one sensor	Emotion Dual Color (Warm white / Natural white)	261	2.6	Black	2000489
		361	3.9		2000490
		411	4.6		2000114
		461	5.2		2000115
		511	5.8		2000518
		561	6.5		2000116
		761	9.1		2000491
		861	10.4		2000492
		961	11.7		2000519
		1161	14.3		2000493
		Custom length			On request
Emotion adapter cable 12 V					2000436

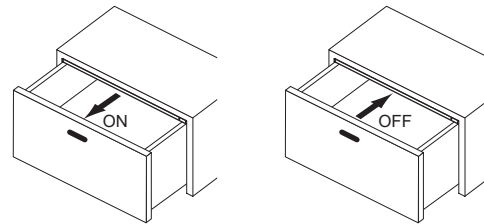
Kiton EDC	Color Temperature (K)	Length (mm)	Power (W)	Color	Ref.
Luminaire with two sensors	Emotion Dual Color (Warm white / Natural white)	761	9.1	Black	2000117
		861	10.4		2000118
		1161	14.3		2000119
		Custom length			On request
Emotion adapter cable 12 V					2000436

LINEAR

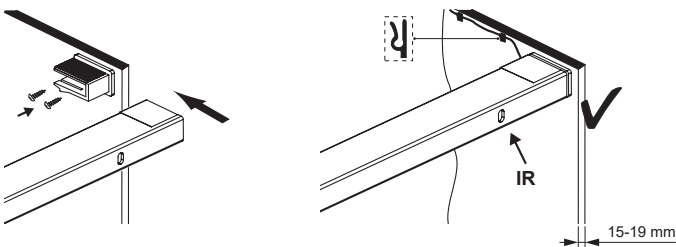
Dimensions



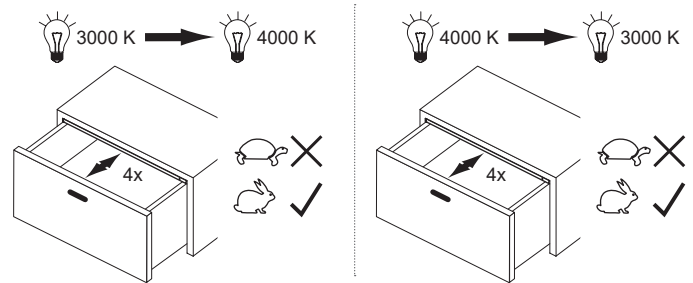
Function



Installation



Changing the CCT



Control systems



see chapter „Controls“ from page 174

Derby II Emotion

LINEAR



- Surface-mounted in aluminum profile
- Diffuse light source without light spots
- Dimmable with continuously adjustable color temperature using Emotion technology

Derby II Emotion

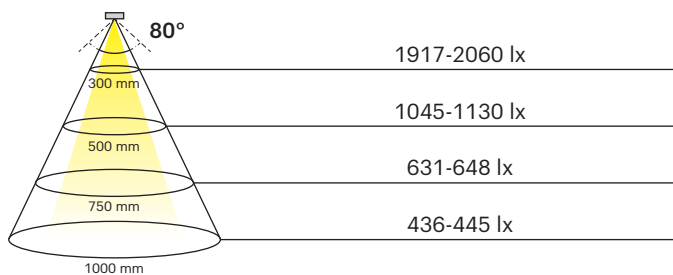
Power (W):	15.5 W/m
Luminous flux:	301 lm
Luminous efficacy:	45.00 lm/W
Number of LEDs:	120+120 /m
Material:	Aluminium
IP protection:	IP20
Connection cord:	2000 mm
Energy efficiency class:	F
Start color:	Warm white (with Emotion adapter cable: Cool white)

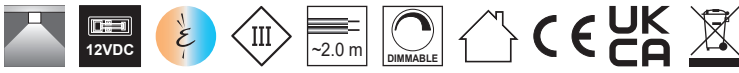


Photometrics

CRI >80 L= 1070 mm

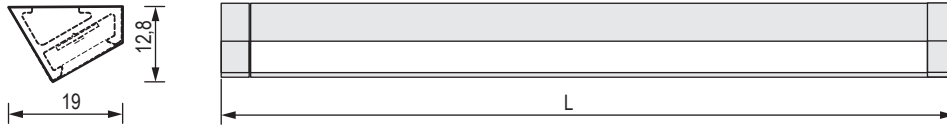
2700-6500 K



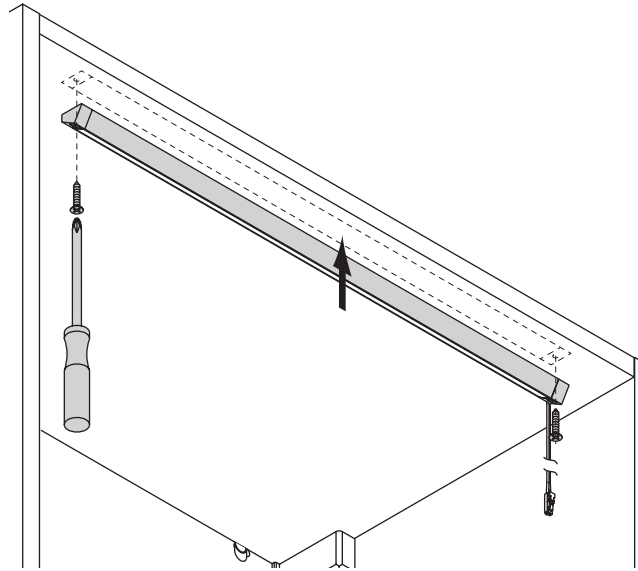


Derby II Emotion	Color Temperature (K)	Length (mm)	Power (W)	Ref.
Derby II Emotion	Emotion	470	6.59	2000138
		670	9.69	2000139
		870	12.79	2000140
		1070	15.89	2000141
Emotion adapter cable 12 V				2000436

Dimensions



Installation



Accessories



Accessories	Color	Ref.
Derby II mounting magnets	White	2000541

Emotion control systems



see chapter „Controls“ from page 174

LINEAR

Quattro Plus

LINEAR



- Slim LED under-cabinet light in aluminum profile
- Luminaire can be cut to size individually
- LED strip is supplied loose
- Easy mounting with mounting clips
- Dimmable with continuously adjustable color temperature using Emotion technology

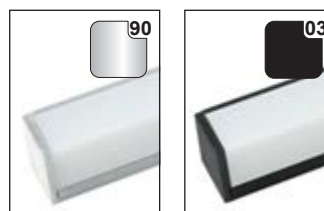
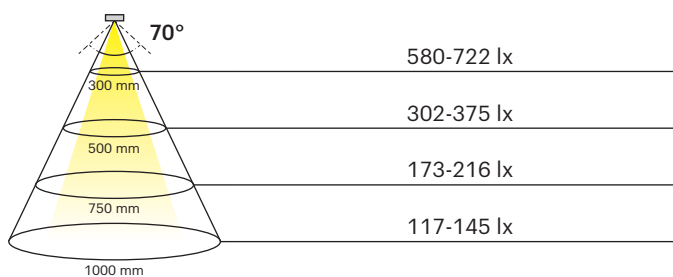
Quattro Plus

Power (W):	12 W/m
Luminous flux:	1020-1140 lm/m
Luminous efficacy:	85-95 lm/W
Number of LEDs:	120+120
Material:	Aluminium/Plastic
IP protection:	IP20
Connection cord:	2x2000 mm
Energy efficiency class:	G
Start color:	Warm white (with Emotion adapter cable: Cool white)

Photometrics

CRI 90 L= 1500 mm

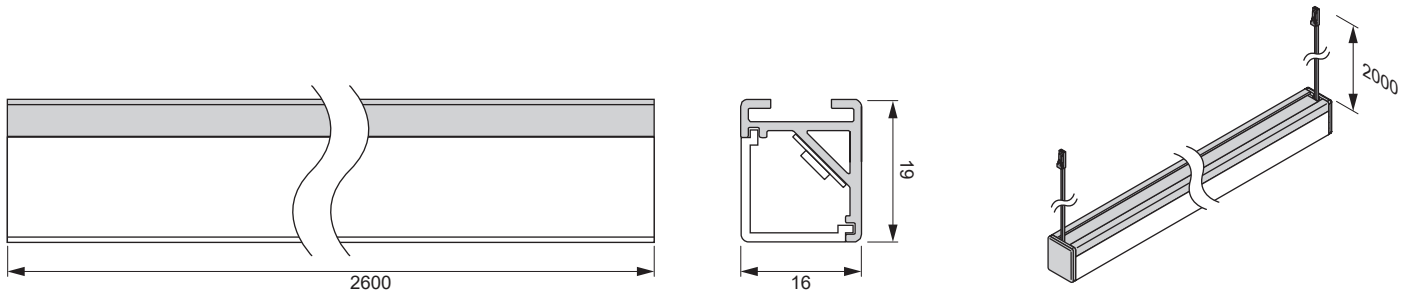
2700-6500K





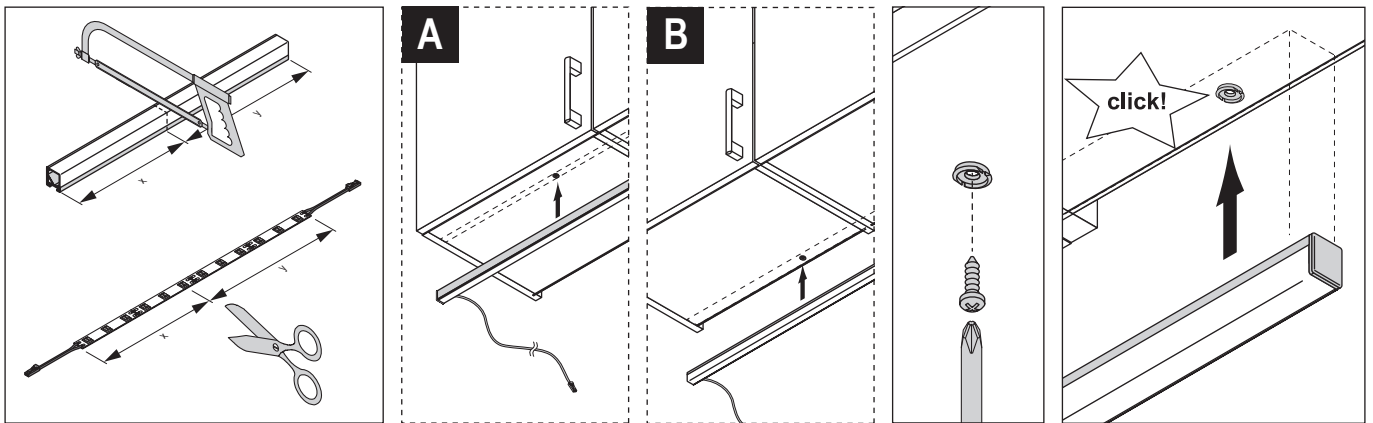
Quattro Plus	Color Temperature (K)	Length (mm)	Power (W)	Color	Ref.
Quattro Plus	Emotion	2600	31.2	Stainless steel	2000782
				Black	2000783
		1500	18.0	Stainless steel	2000784
				Black	2000785
Emotion adapter cable 12 V					2000436

Dimensions



LINEAR

Installation



Emotion control systems



see chapter „Controls“ from page 174

Bali Emotion

LINEAR



- Slim LED surface-mounted luminaire in an aluminum profile
- Easy installation with mounting clips
- Dimmable with continuously adjustable color temperature using Emotion technology

Bali Emotion

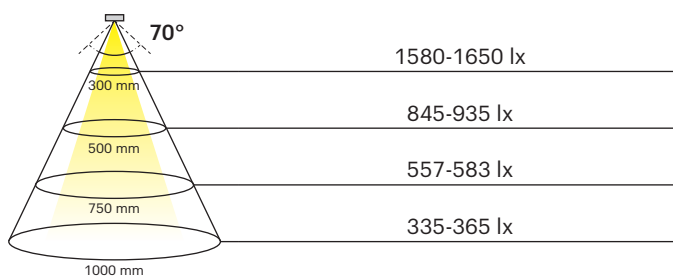
Power (W)	15.5 W/m
Luminous flux:	1333-1440 lm/m
Luminous efficacy:	86-93 lm/W
Number of LEDs:	120+120
Material:	Aluminium
IP protection:	IP20
Connection cord:	2700 mm
Energy efficiency class:	F
Start color:	Warm white (with Emotion adapter cable: Cool white)

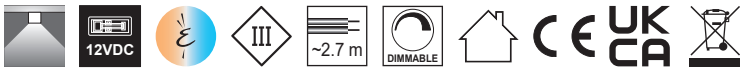


Photometrics

CRI >80 L= 500 mm

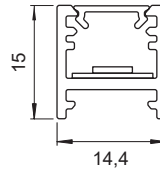
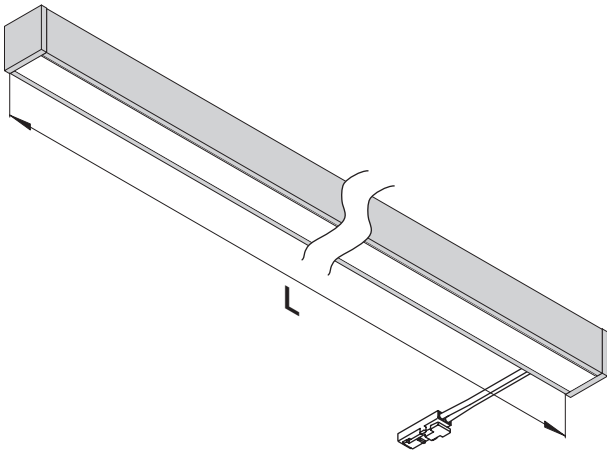
2700-6500 K



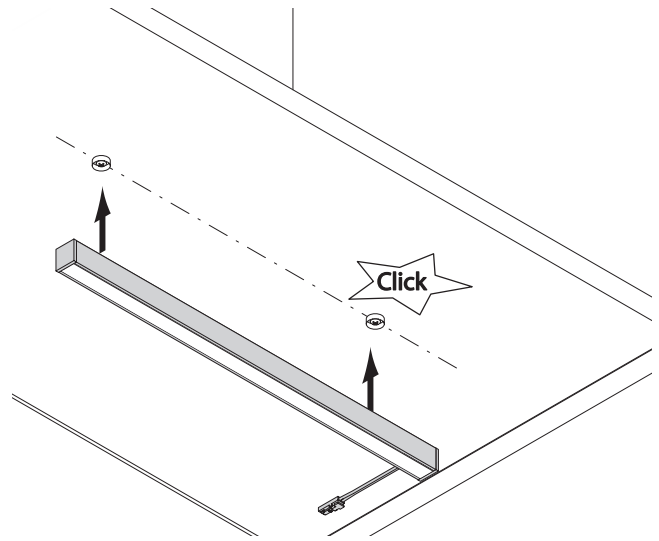
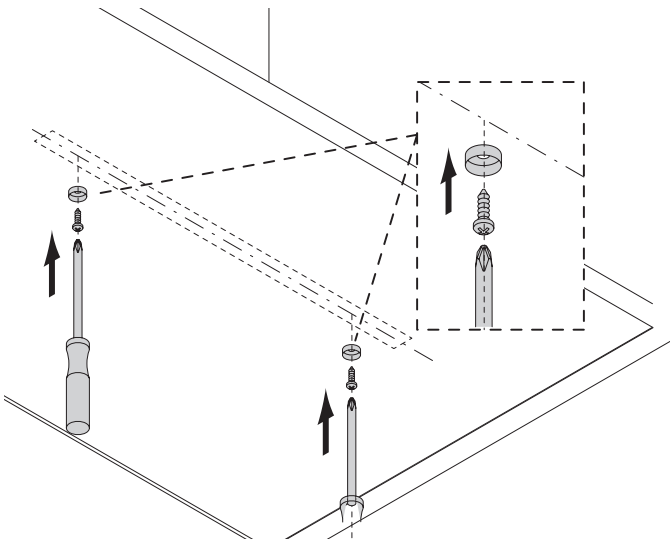


Bali Emotion	Color Temperature (K)	Length (mm)	Power (W)	Ref.
Bali Emotion	Emotion	450	6.20	2000142
		500	6.98	2000143
		550	7.75	2000144
		850	12.40	2000145
Emotion adapter cable 12 V				2000436

Dimensions



Installation



Emotion control systems

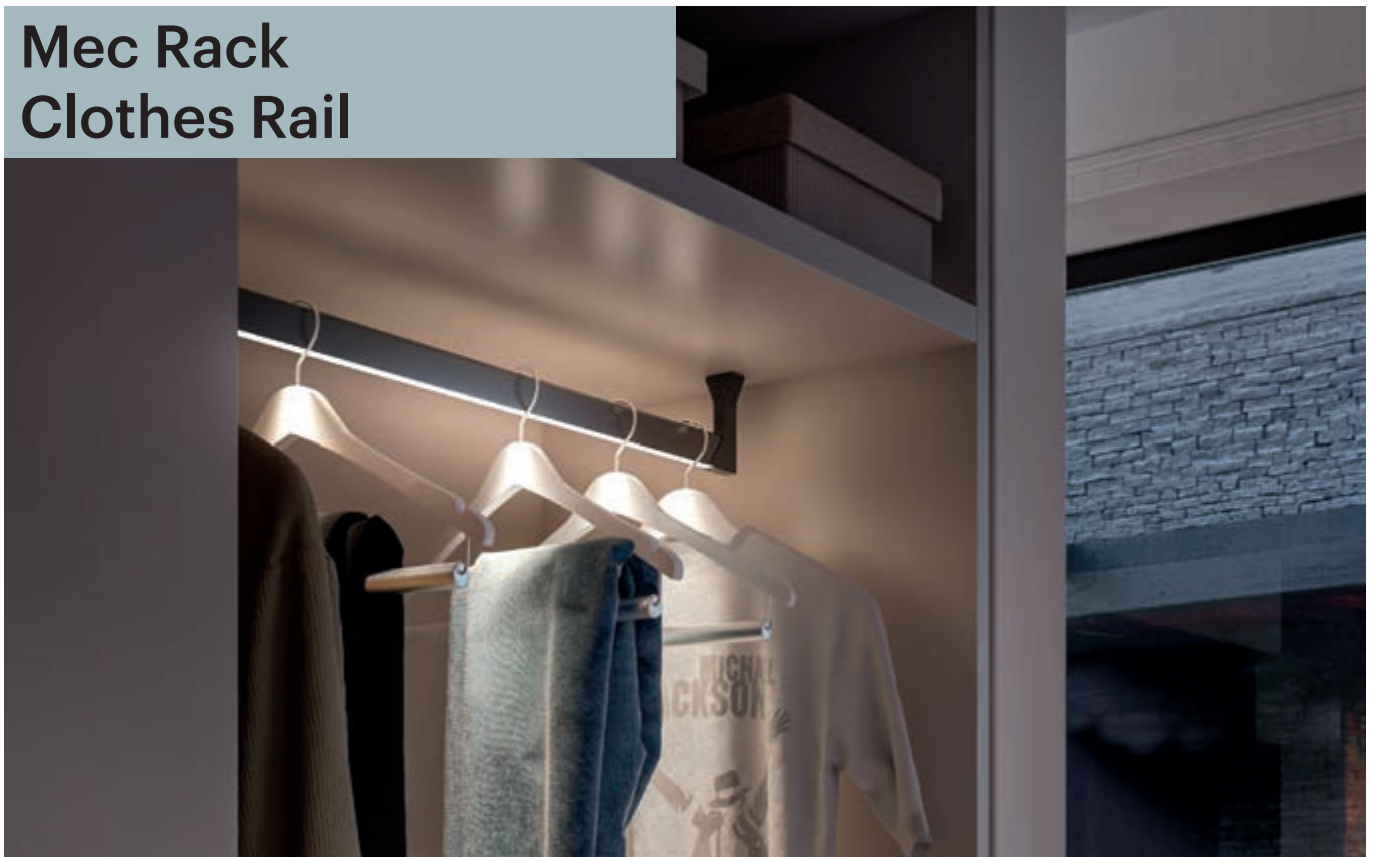


see chapter „Controls“ from page 174

LINEAR

Mec Rack Clothes Rail

LINEAR



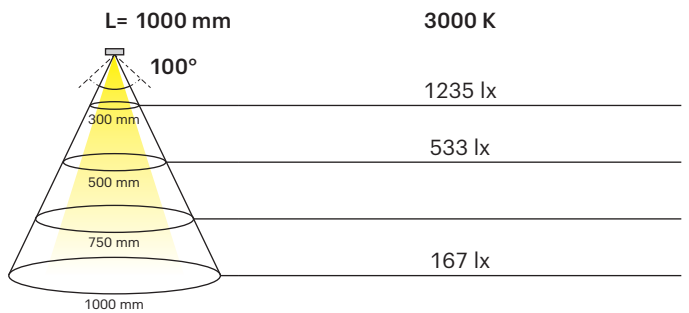
- Clothes rail with LED lighting
- Motion detector for ON/OFF function
- Center bearing from 1000 mm length
- Kit incl. enclosed self-adhesive protection film for clothes hanger
- Length for cabinet widths with 19 mm side panel thickness

Mec Rack Clothes Rail



Power (W):	9.6 W/m
Luminous flux:	840 lm/m
Luminous efficacy:	88 lm/W
Material:	Aluminium
IP protection:	IP20
Connection cord:	3000 mm
Energy efficiency class:	G

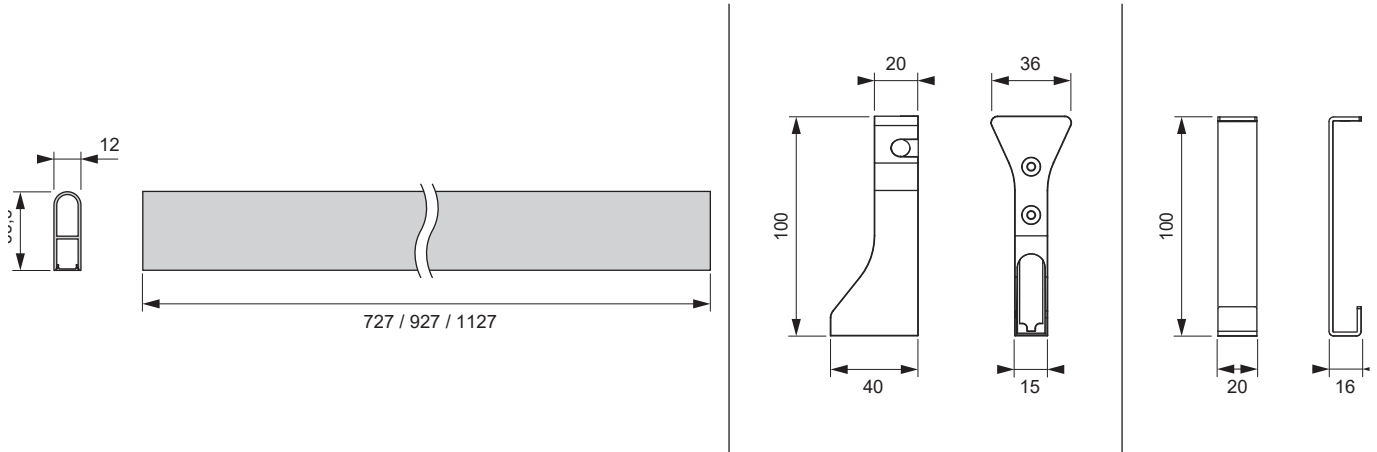
Photometrics





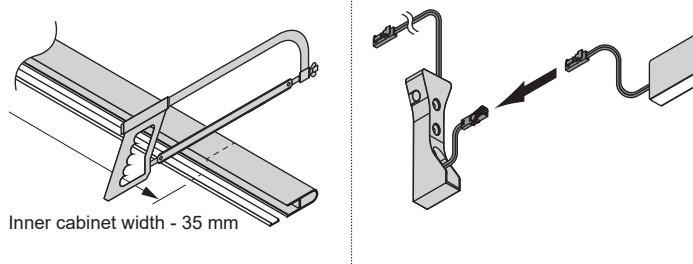
Mec Rack Clothes Rail	Color Temperature (K)	Cabinet width (mm)	Power (W)	Color	Ref.
Clothes Rail	Warm white	800	7.2	Stainless steel	2000748
		1000	9.1		2000749
		1200	11.0		2000750
Clothes Rail with motion sensor		800	7.2		2000751
		1000	9.1		2000752
		1200	11.0		2000753

Dimensions

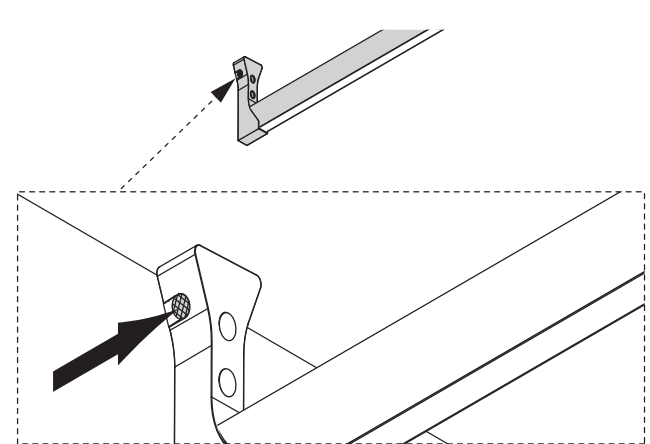


LINEAR

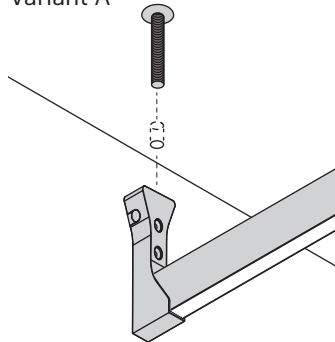
Installation



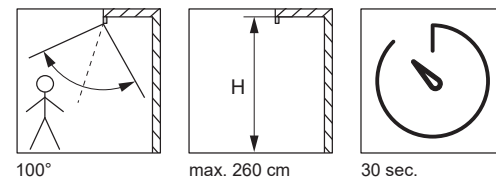
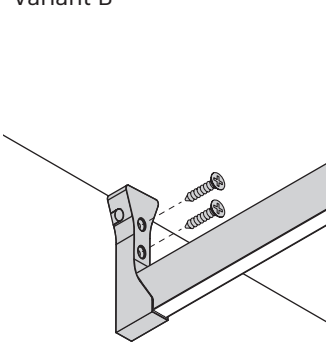
Motion sensor (optional, in left wall bearing)



Variant A



Variant B



Control systems



Pendant Light Ice Emotion



LINEAR

- Pendant lamp for dining tables or kitchen island
- Infinitely height adjustable up to 1850 mm
- Integrated LED converter
- Control and remote control
- Dimmable with continuously adjustable color temperature using Emotion technology
- Color temperature control by remote

Pendant Light Ice Emotion

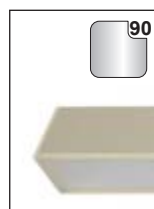
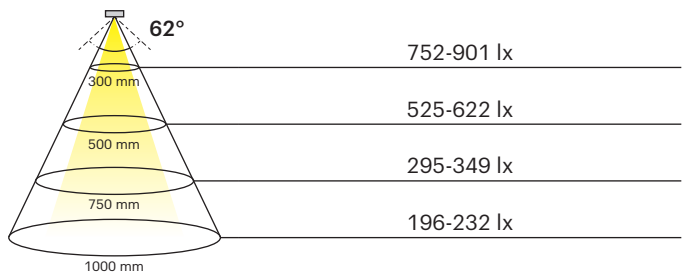


Power (W):	15.5 W/m
Luminous flux:	1170-1440 lm/m
Luminous efficacy:	75-93.8 lm/W
Number of LEDs:	120+120
Material:	Aluminium / Plastic
IP protection:	IP20
Energy efficiency class:	G
Start color:	Warm white (with Emotion adapter cable: Cool white)

Photometrics

CRI >80 L= 900 mm

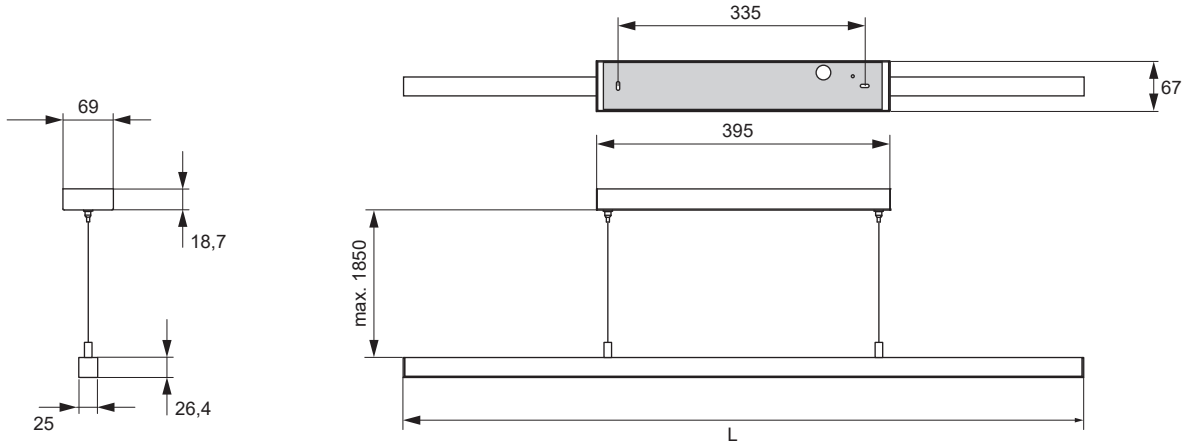
2700-6500 K



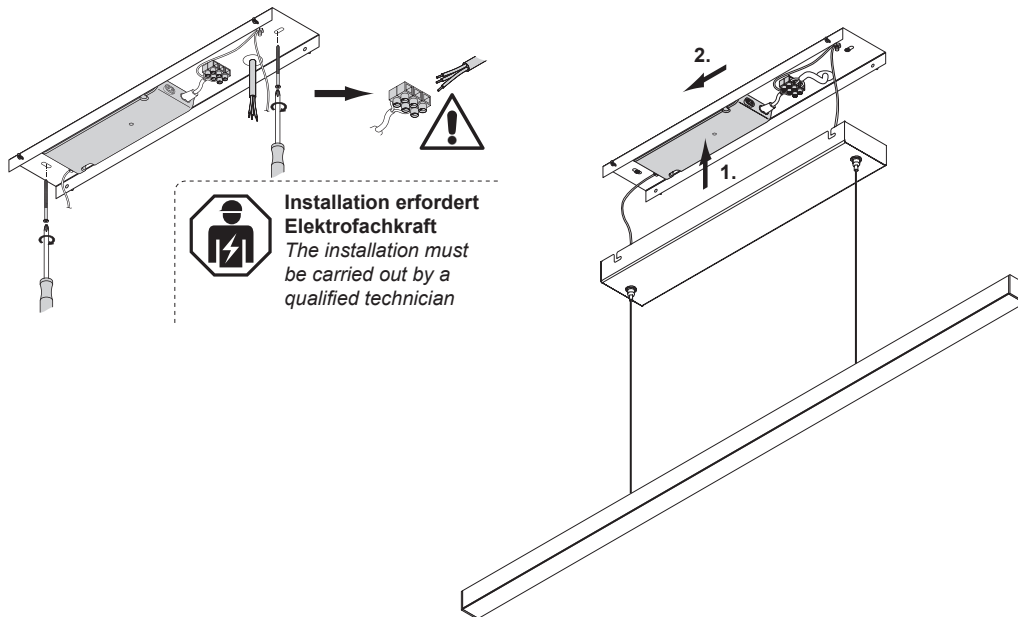


Pendant Light Ice Emotion	Color Temperature (K)	Length (mm)	Power (W)	Color	Ref.
Pendant Light Ice Emotion	Emotion	900	13.9	Stainless steel	2000786
		1200	18.6		2000787
		1500	23.2		2000788

Dimensions



Installation



Emotion control systems



see chapter „Controls“ from page 174

LINEAR

Snite LED

LINEAR



- Extremely versatile under-cabinet light for almost any application
- Alternative to the T5 fluorescent lamp Snite
- Integrated LED converter
- Compatible with Snite T5 accessories

Snite LED	
Power (W):	4-22 W
Luminous flux:	1440 / 1630 lm/m
Luminous efficacy:	90 / 105 lm/W
Number of LEDs:	26/45/51/76/100/126 pcs.
Material:	Plastic
IP protection:	IP20
Connection cord:	300 mm
Energy efficiency class:	F



Photometrics

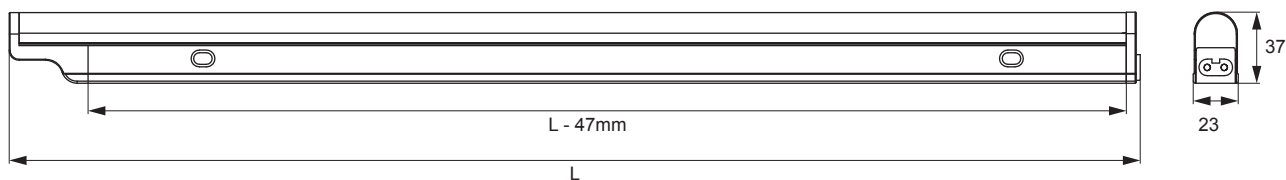
CRI >80 L= 571 mm	2700 K	4000 K
	1430 lx	2000 lx
	602 lx	859 lx
	401 lx	570 lx
	190 lx	268 lx



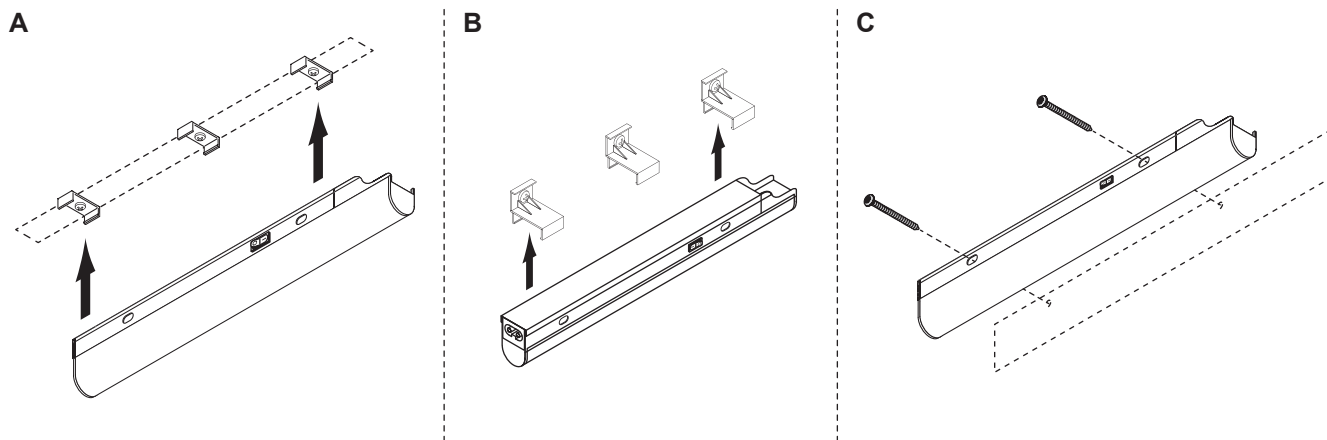


Snite LED	Color Temperature (K)	Length (mm)	Power (W)	Color	Ref.
Snite LED Ww	Warm white	310.5	4.0	White	2000203
		539	7.0		2000204
		571	9.0		2000205
		871	13.0		2000206
		1171	18.0		2000207
		1471	22.0		2000208
Snite LED Nw	Natural white	310.5	4.0		2000209
		539	7.0		2000210
		571	9.0		2000211
		871	13.0		2000212
		1171	18.0		2000213
		1471	22.0		2000214

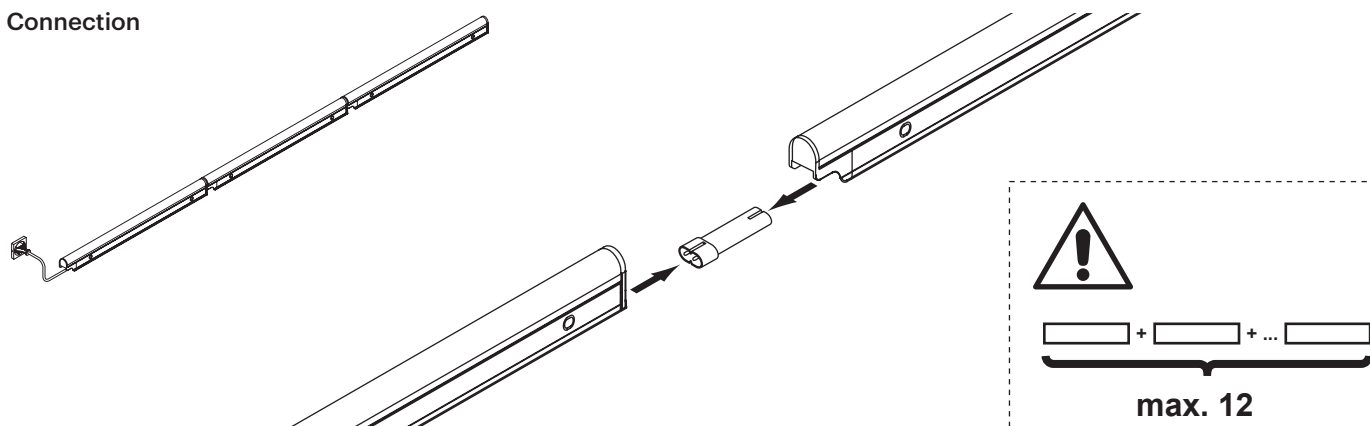
Dimensions



Installation



Connection



Power cables	Length (mm)	Ref.
EU version (type C)	2000	2000402
GB version (type G)		910300004
US version (type A)		910300005

Connection cable	Length (mm)	Ref.
Connection cable	300	2000216
	500	2000403
	1000	2000404
	3000	2000405

LINEAR

Mirrors & Shelves.

MIRRORS & SHELVES



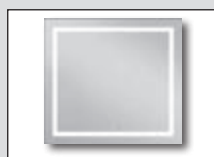
MIRRORS



104
MONO



105
DUO



106
QUATTRO



107
ROUNDQ

MIRROR LIGHTS



108
LILIUM

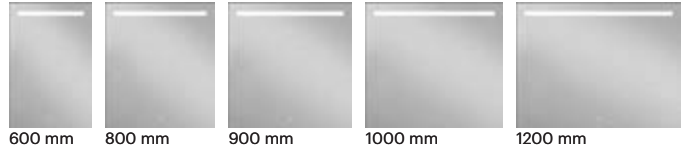
SHELVES



110
PAVO

Crystal mirror MONO

Sizes:



Elegant flat mirror with one light panel

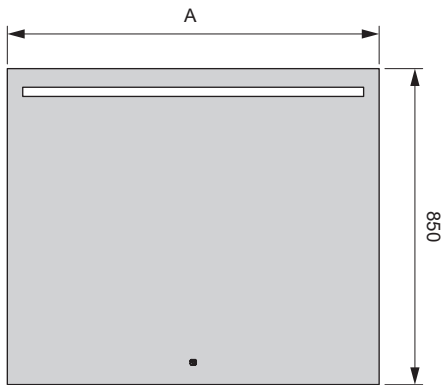
- Direct lighting
- Sensor button for lighting
- Integrated driver
- Dimmable with continuously adjustable color temperature using Emotion technology

Product features:

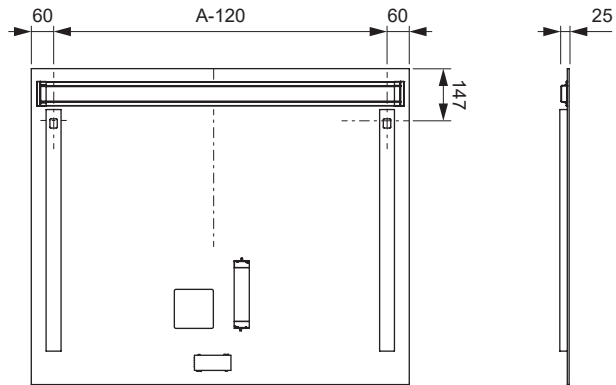
Operating voltage:	AC 230 V, 50/60 Hz
Power:	6.6 - 13.8 W
Color temperature:	Emotion (2700-6500 K)
Start color:	Warm white
Color rendering index:	CRI >80
IP protection class:	IP44
Material:	Glass / Aluminum

Crystal mirror	Size (mm)	Power (W)	Ref.
MONO	600x850	6.6	2000656
	800x850	9.0	2000657
	900x850	10.2	2000658
	1000x850	11.4	2000659
	1200x850	13.8	2000660

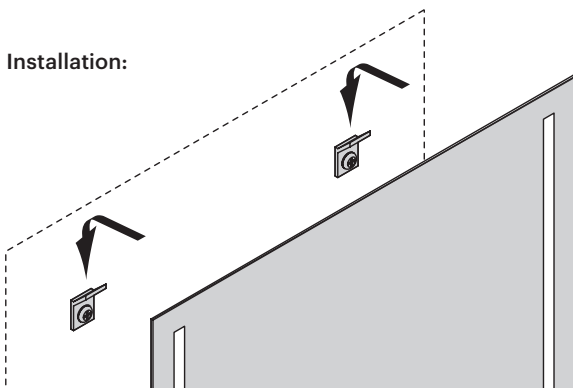
Dimensions:



A = 600 / 800 / 900 / 1000 / 1200



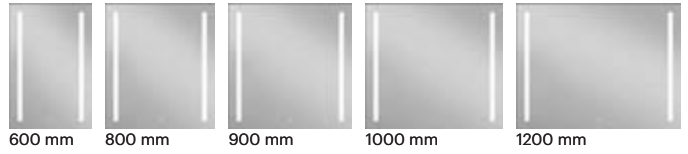
Installation:



Crystal mirror DUO



Sizes:



Elegant surface mirror with two light panels

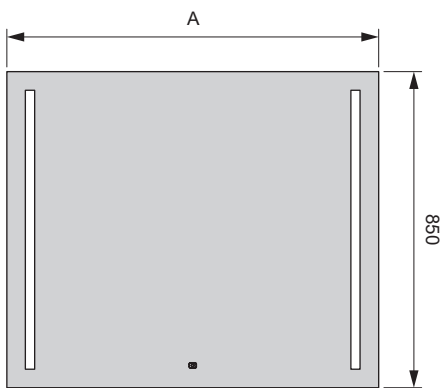
- Direct lighting
- Sensor button for lighting
- Integrated driver
- Dimmable with continuously adjustable color temperature using Emotion technology

Product features:

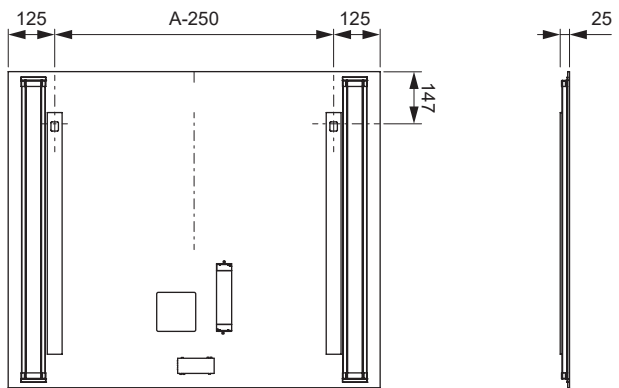
Operating voltage:	AC 230 V, 50/60 Hz
Power:	19.2 W
Color temperature:	Emotion (2700-6500 K)
Start color:	Warm white
Color rendering index:	CRI >80
IP protection class:	IP44
Material:	Glass / Aluminum

Crystal mirror	Size (mm)	Power (W)	Ref.
DUO	600x850	19.2	2000661
	800x850		2000662
	900x850		2000663
	1000x850		2000664
	1200x850		2000665

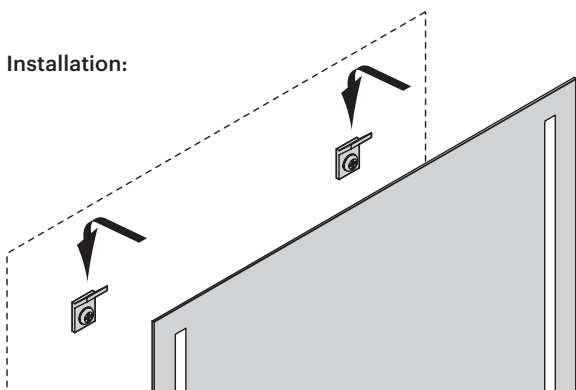
Dimensions:



A = 600 / 800 / 900 / 1000 / 1200



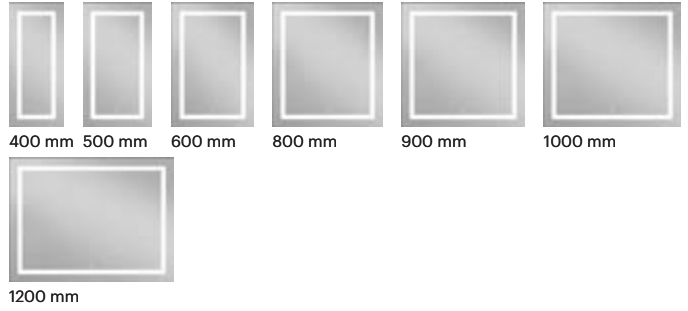
Installation:



Crystal mirror QUATTRO



Sizes:



Elegant flat mirror with encircling light panel

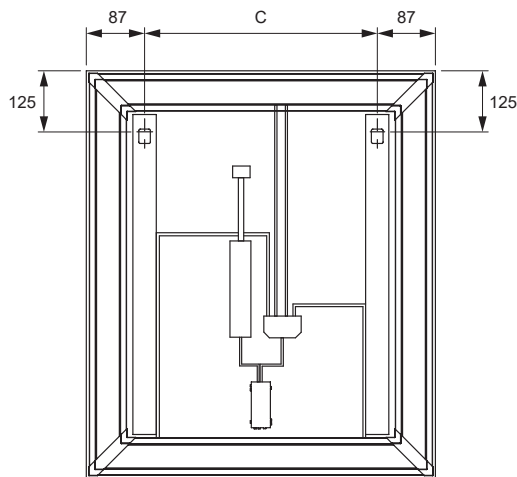
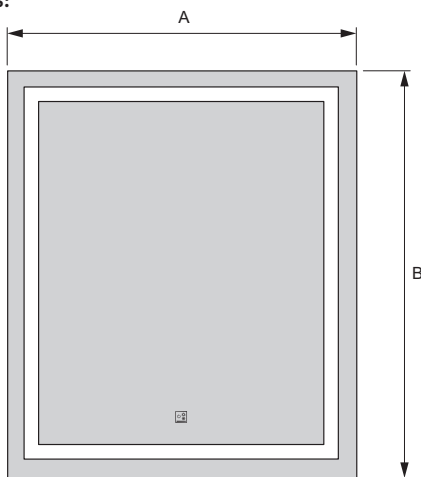
- Direct lighting
- Sensor button for lighting
- Integrated driver
- Dimmable with continuously adjustable color temperature using Emotion technology

Product features:

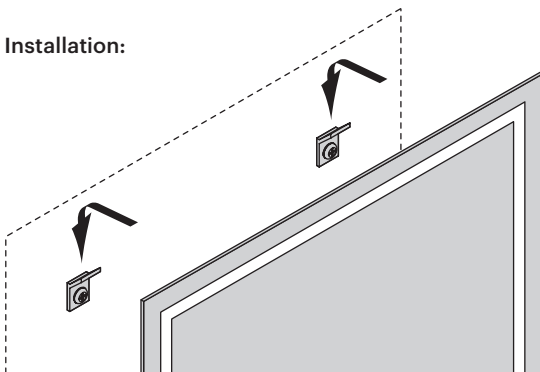
Operating voltage:	AC 230 V, 50/60 Hz
Power:	31.0 - 55.8 W
Color temperature:	Emotion (2700-6500 K)
Start color:	Warm white
Color rendering index:	CRI >80
IP protection class:	IP20
Material:	Glass / Aluminum

Crystal mirror	Size (mm)	Power (W)	Ref.
QUATTRO	400x700	31.0	2000675
	500x700	34.1	2000676
	600x700	37.2	2000677
	800x700	43.4	2000678
	900x700	46.5	2000679
	1000x700	52.7	2000673
	1200x700	55.8	2000680

Dimensions:



Installation:



Crystal mirror ROUNDQ



Sizes:



500 mm



700 mm

Elegant flat mirror with encircling lighting

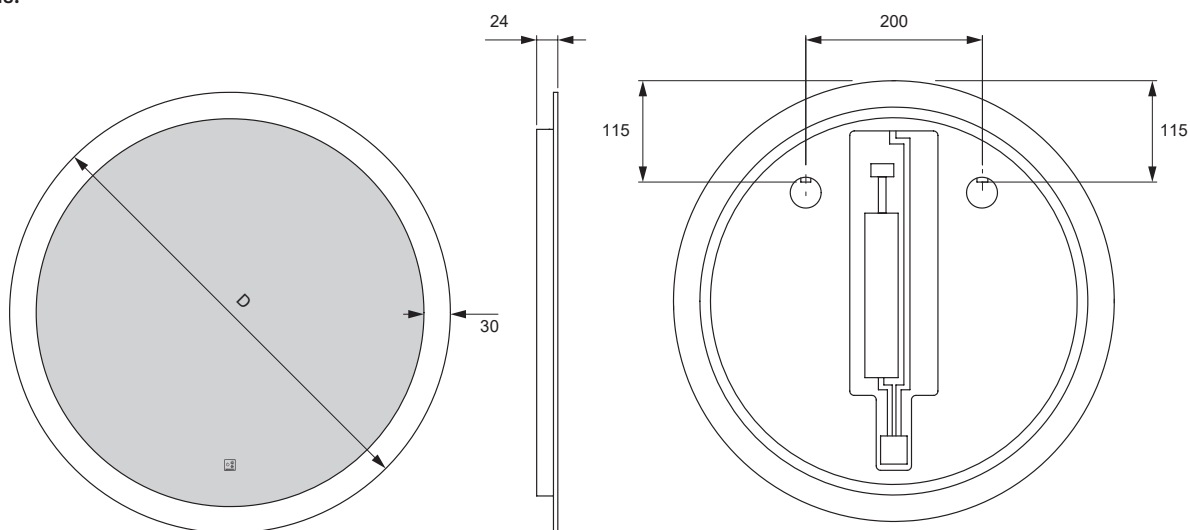
- Direct lighting
- Sensor button for lighting
- Integrated driver
- Dimmable with continuously adjustable color temperature using Emotion technology

Product features:

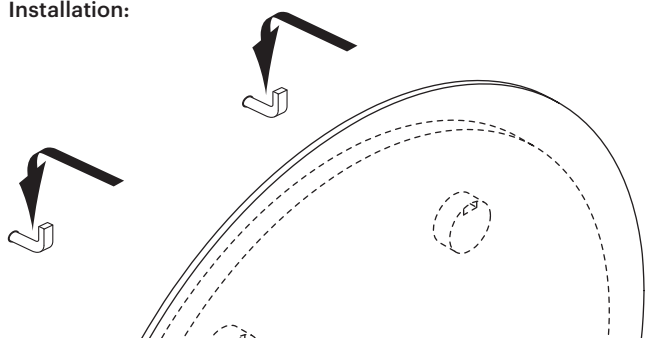
Operating voltage:	AC 230 V, 50/60 Hz
Power:	20.2 - 29.5 W
Color temperature:	Emotion (2700-6500 K)
Start color:	Warm white
Color rendering index:	CRI >80
IP protection class:	IP20
Material:	Glass / Aluminum

Crystal mirror	Size (mm)	Power (W)	Ref.
ROUND Q	Ø 500	20.2	2000688
	Ø 700	29.5	2000689

Dimensions:



Installation:



Lilium Emotion



- Surface mounted luminaire for damp environments (IP44)
- Dimmable with continuously adjustable color temperature using Emotion technology

MIRRORS & SHELVES

Lilium Emotion

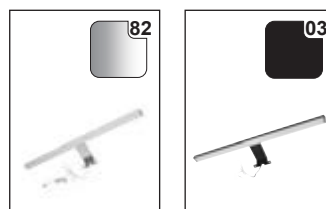
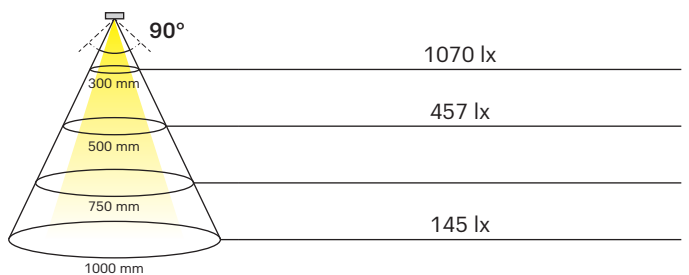
Power (W):	7.0-12 W
Luminous flux:	399 lm
Luminous efficacy:	57 lm/W
Material:	Plastic
IP protection:	IP44
Connection cord:	600 mm
Energy efficiency class:	F
Start color:	Warm white (with Emotion adapter cable: Cool white)

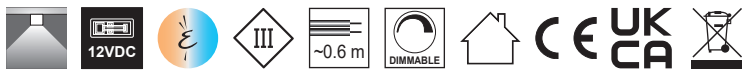


Photometrics

CRI >80 L= 500 mm

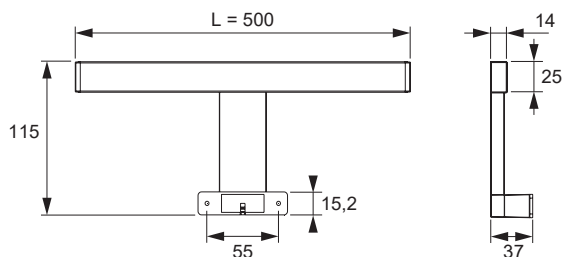
2700-6500 K



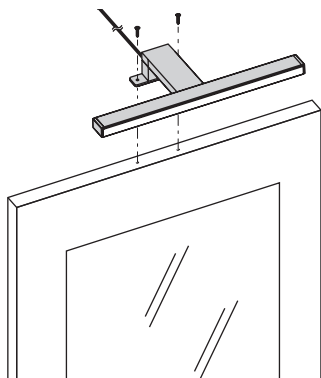


Lilium Emotion	Color Temperature (K)	Length (mm)	Power (W)	Color	Ref.
Lilium Emotion	Emotion	500	7.0	Chrome	2000174
		800	8.0		2000648
		1000	10.0		2000649
		1200	12.0		2000650
		500	7.0	Black	2000714
		800	8.0		2000722
		1000	10.0		2000723
		1200	12.0		2000715
Emotion adapter cable 12 V					2000436

Dimensions



Installation



Emotion control systems



see chapter „Controls“ from page 174

Pavo Emotion



- Illuminated wall shelf, lighting up and down
- Rear panel with place for control unit/converter up to 16 mm
- Different mounting options
- Special lengths on request
- Dimmable with continuously adjustable color temperature using Emotion technology

MIRRORS & SHELVES

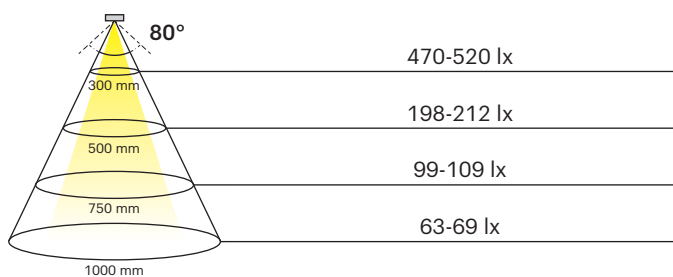
Pavo Emotion

Power:	24 W/m
Luminous flux:	2x 1020-1140 lm/m
Luminous efficacy:	42.5-47.5 lm/W
Number of LEDs:	120+120/m
Material:	Aluminum
IP protection:	IP20
Power cable:	200 mm
Energy efficiency class:	G
Start colour:	Warm white (with Emotion adapter cable: Cool white)

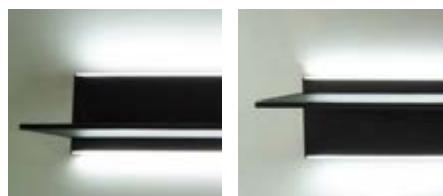


Photometrics

CRI >90 L= 900 mm 2700-6500 K



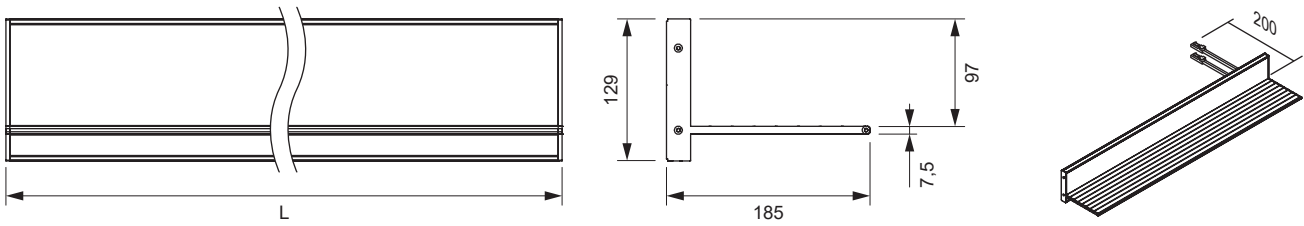
Mounting options:



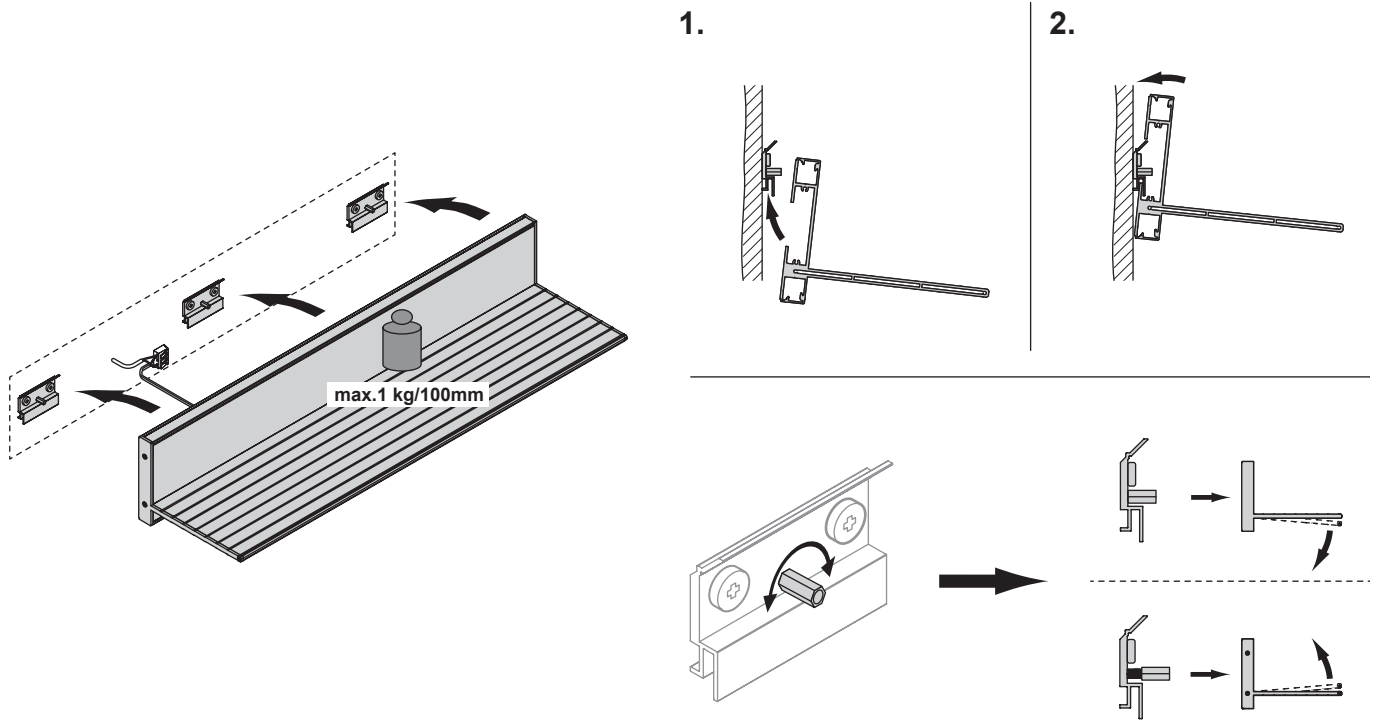


Pavo Emotion	Color Temperature	Length (mm)	Power (W)	Color	Ref.
Pavo Emotion	Emotion	600	13.8	Black	2000946
		900	21.0		2000947
		1000	23.4		2000948
		1200	28.2		2000949
Emotion adapter cable 12 V					2000436

Dimensions



Installation



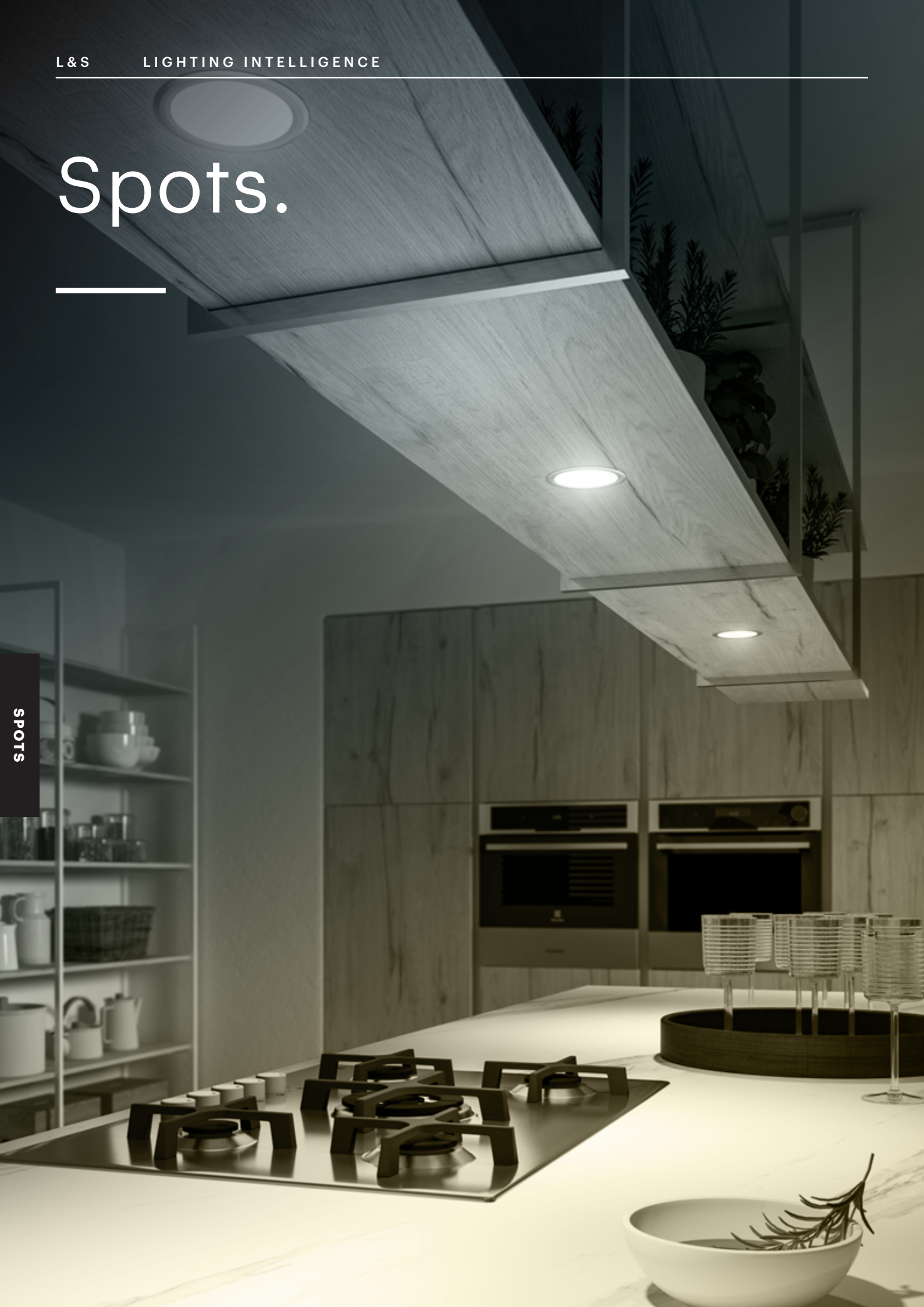
Emotion control systems



see chapter „Controls“ from page 174

Spots.

SPOTS



SPOT LIGHTS



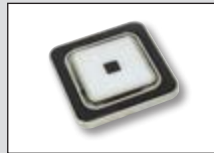
114
CHIP HE



118
MOONLIGHT



120
CORA



122
PANLIGHT



124
CHIP



128
CHIP 2



130
NOVA PLUS



132
SUPERLIGHT



134
CHIP L



138
FLEX SPOT



140
SUPERSPOT



142
SUPERSPOT S



144
MOONLIGHT HV



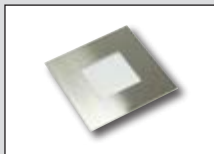
146
TAVOS Q



148
TAVOS R



150
PLINTHY



152
BASE



154
MATRIX



156
PLANAR L



158
PLANAR S



160
GLASPOINT /
WOODPOINT

SPOTS

Chip HE 58



- Flat LED recessed spot light
- Highly efficient LEDs with low energy consumption
- Spacer ring optional
- Diffused light source with continuous light output
- Less heat emission than standard Chip lights

SPOTS

Chip HE 58

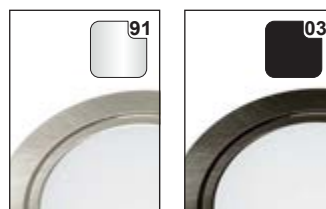
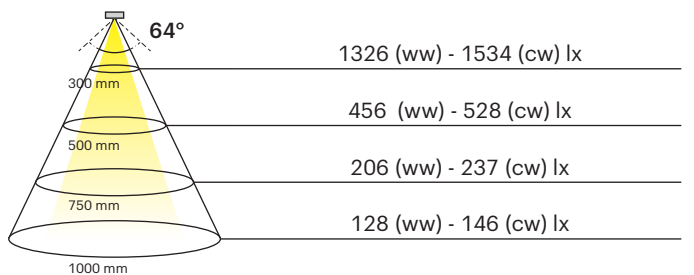
Luminous flux:	333.3 (ww) - 364.9 (cw) lm
Light efficacy:	137.9 (ww) - 149.8 (cw) lm/W
Material:	Aluminium
IP protection class:	IP20
Connection cable:	1800 mm
Energy efficiency class:	D
Start color:	Warm white (with Emotion adapter cable: Cool white)



Photometrics

CRI >80

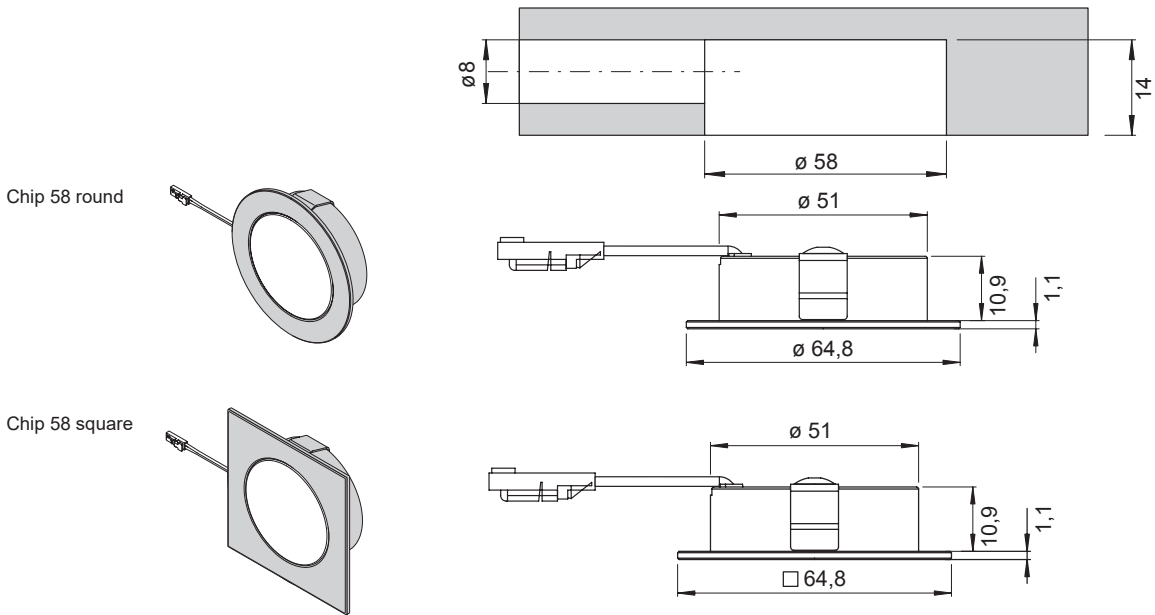
2700-6500 K



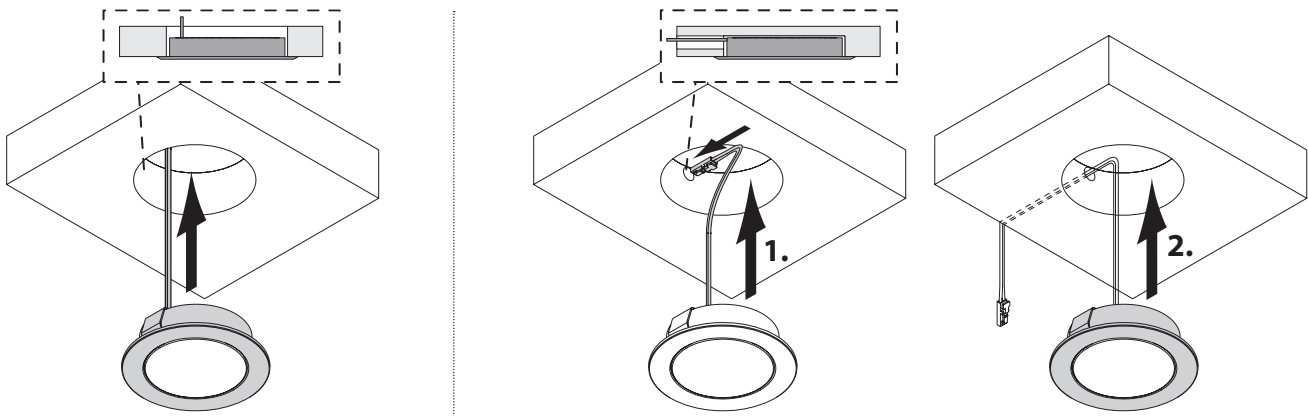


Chip HE 58	Color Temperature	Power (W)	Color	Ref.
Round	Emotion	2.5	Stainless steel, brushed	528100005
			Black	528100006
Square			Stainless steel, brushed	557800001
			Black	557800002
Emotion adapter cable 24 V				2000437

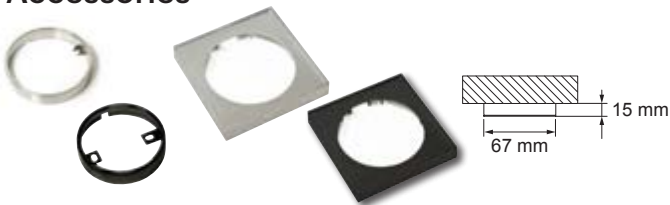
Dimensions



Installation



Accessories



Emotion control systems



Accessories	Color	Ref.
Spacer ring Chip 58 round	Stainless steel	2000012
	Black	2000866
Spacer ring Chip 58 square	Stainless steel	752900003
	Black	752900004



see chapter „Controls“ from page 174

Chip HE 68



- Flat LED recessed spot light
- Highly efficient LEDs with low energy consumption
- Spacer ring optional
- Diffused light source with continuous light output
- Less heat emission than standard Chip lights

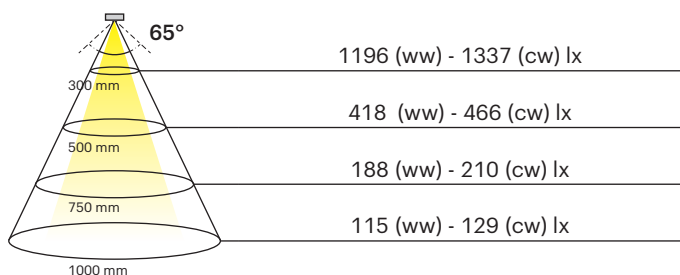
SPOTS

Chip HE 68	
Luminous flux:	264 (ww) - 296 (cw) lm
Light efficacy:	105.6 (ww) - 118.2 (cw) lm/W
Number of LEDs:	32+32
Material:	Aluminum
IP protection class:	IP20
Connection cable:	1800 mm
Energy efficiency class:	
Start color:	Warm white (with Emotion adapter cable: Cool white)

Photometrics

CRI 83

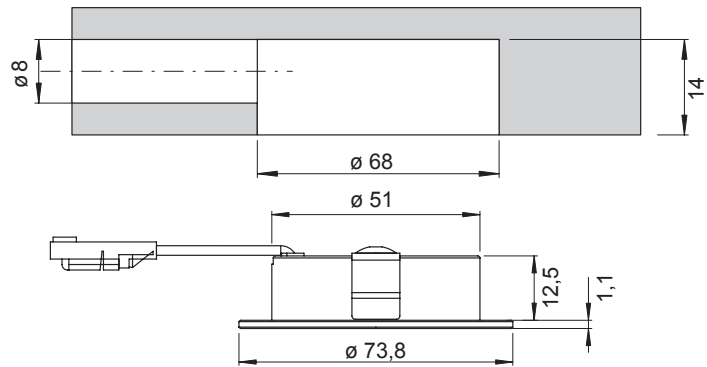
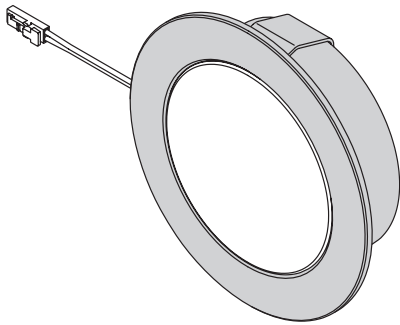
2700-6500 K



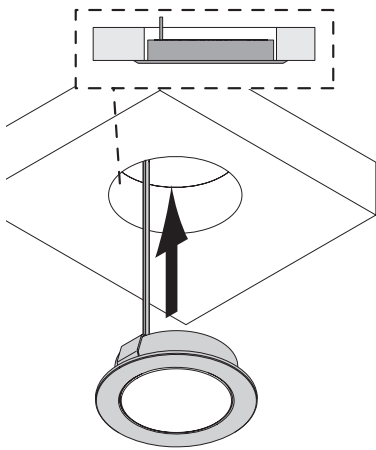


Chip HE 68	Color Temperature	Power (W)	Color	Ref.
Chip HE 68	Emotion	2.5	Black matt	528100009
			Stainless steel, brushed	528100010
Emotion adapter cable 24 V				2000437

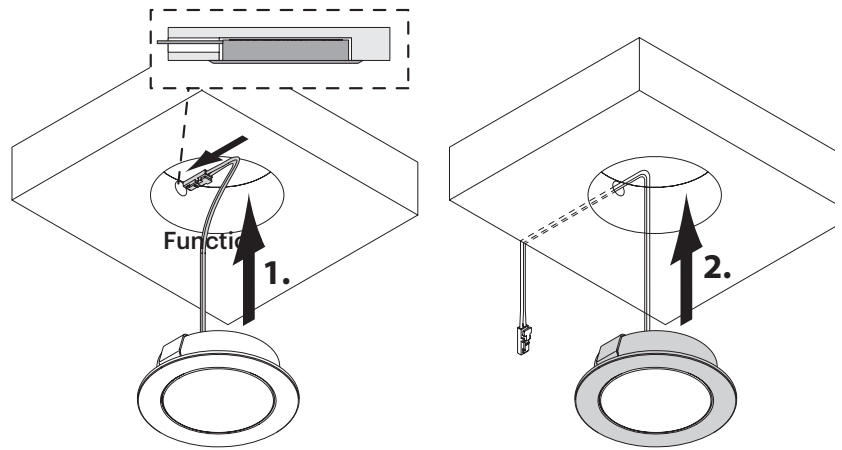
Dimensions



Installation



Connection



Accessories

Emotion control systems



Accessories	Color	Ref.
Chip 68 Spacer ring	Stainless steel finish	2000018
	Black	2000547

see chapter „Controls“ from page 174

SPOTS

Moonlight Emotion



- Flat LED recessed spot light
- Diffused light source with continuous light output
- Dimmable with continuously adjustable color temperature using Emotion technology

SPOTS

Moonlight 58 Round Emotion



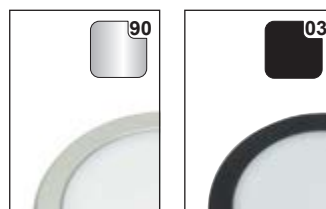
Luminous flux:	173.5-202 lm
Light efficacy:	54-63 lm/W
Number of LEDs:	30+30
Material:	Plastic
IP protection class:	IP20
Connection cable:	2000 mm
Energy efficiency class:	E
Start color:	Warm white (mit Emotion adapter cable: Cool white)

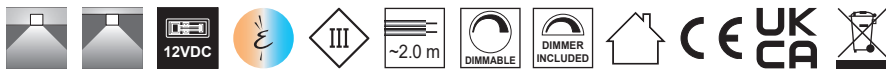


Photometrics

Moonlight 58	3000-6000 K
CRI 80 60°	919-1039 lx
300 mm	310-350 lx
500 mm	
750 mm	85-96 lx
1000 mm	

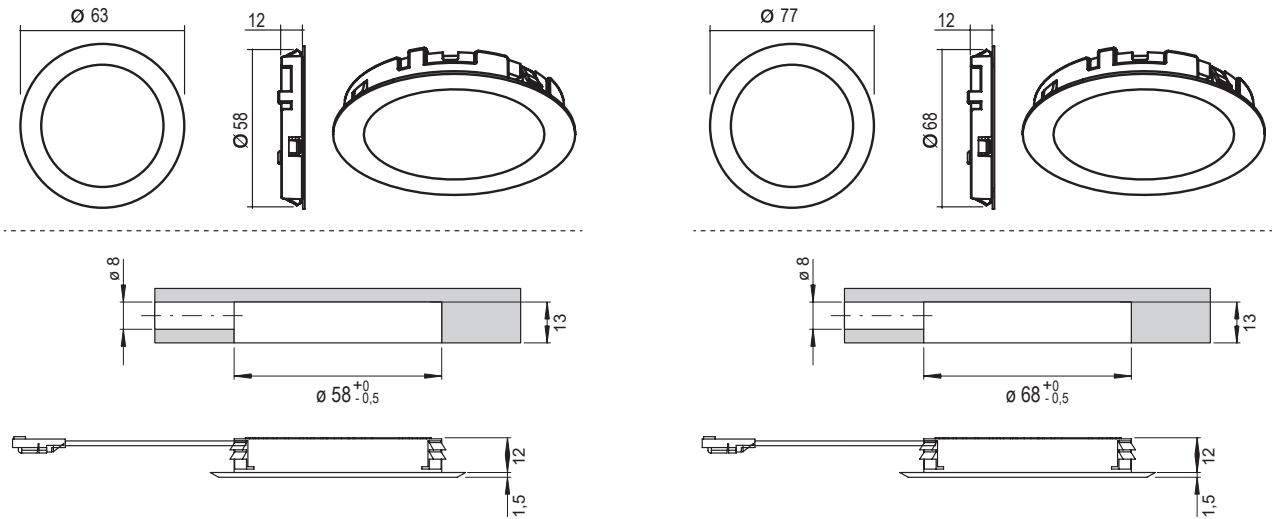
Moonlight 68	3000-6000 K
CRI >80 68°	1102-1147 lx
300 mm	263-283 lx
500 mm	
750 mm	64-79 lx
1000 mm	



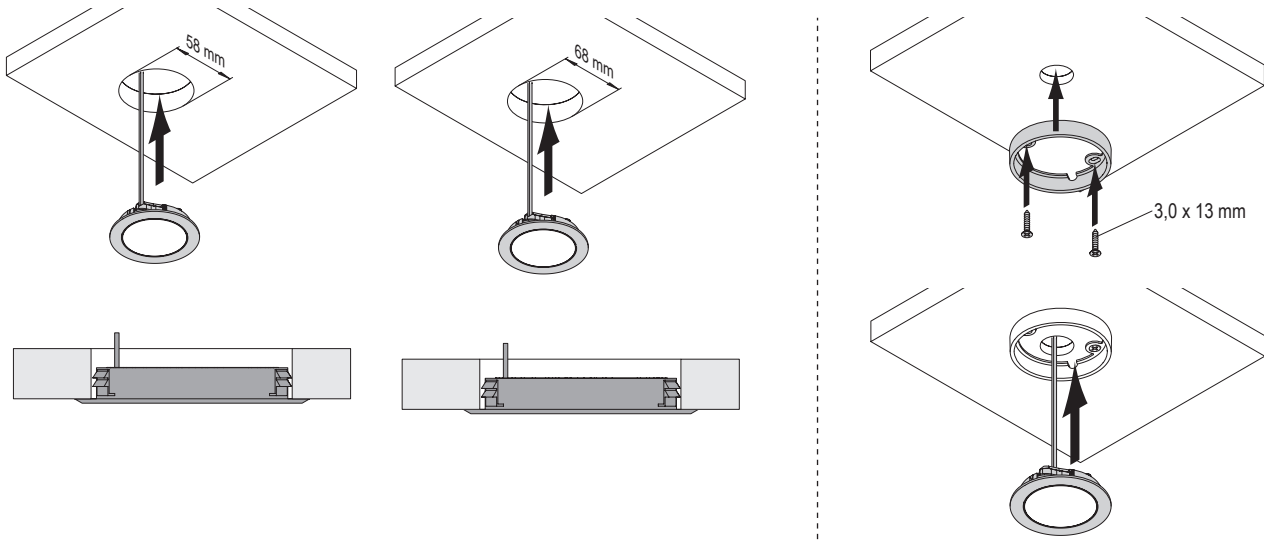


Moonlight 58 Round Emotion		Color Temperature (K)	Power (W)	Color	Ref.
58 Round	Emotion	3.0	3.0	Stainless steel finish	2000001
				Black	2000500
58 Square		3.4	3.4	Stainless steel finish	2000002
68 Round		3.6	3.6	Stainless steel finish	2000003
Emotion adapter cable 12 V				Black	2000497
					2000436

Dimensions



Installation



Accessories



Accessories	Color	Ref.
Moonlight 68 Space Ring	Stainless steel finish	2000004
	Black	2000516

Emotion control systems



see chapter „Controls“ from page 174

SPOTS

Cora



- Elegant design
- Changeable cover decors in black and stainless steel colored
- Emotion technology
- Pluggable connection cable
- Suitable for 68 mm standard bore

SPOTS

Ringspot Cora

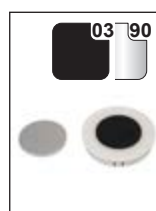
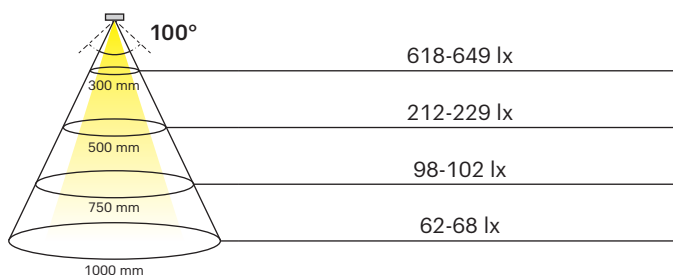
Luminous flux:	159 (CW) - 164 (WW) lm
Light efficacy:	63.6-65.6 lm/W
Material:	Plastic
IP protection class:	IP20
Connection cable:	1800 mm
Energy efficiency class:	E
Start color:	Warm white / cool white via integrated plug connection



Photometrics

CRI >80

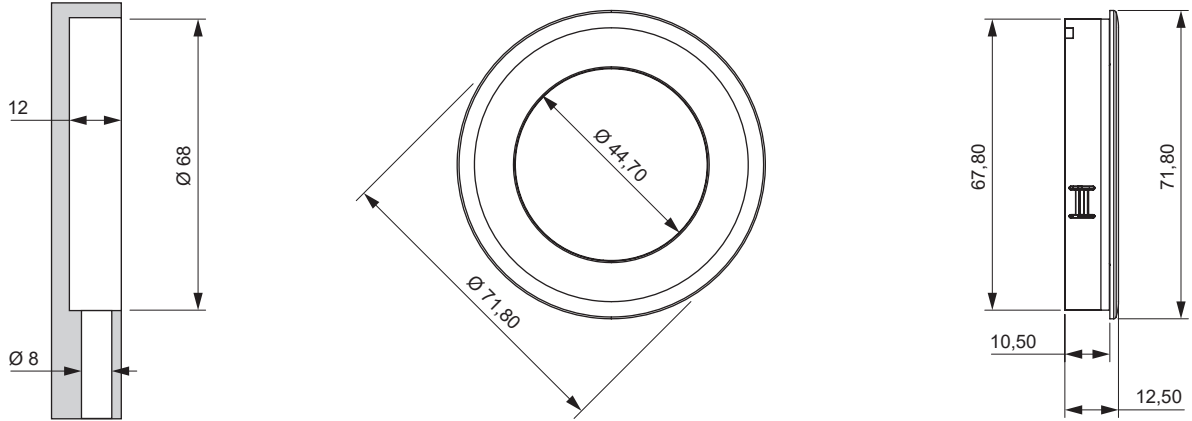
2700-6500 K



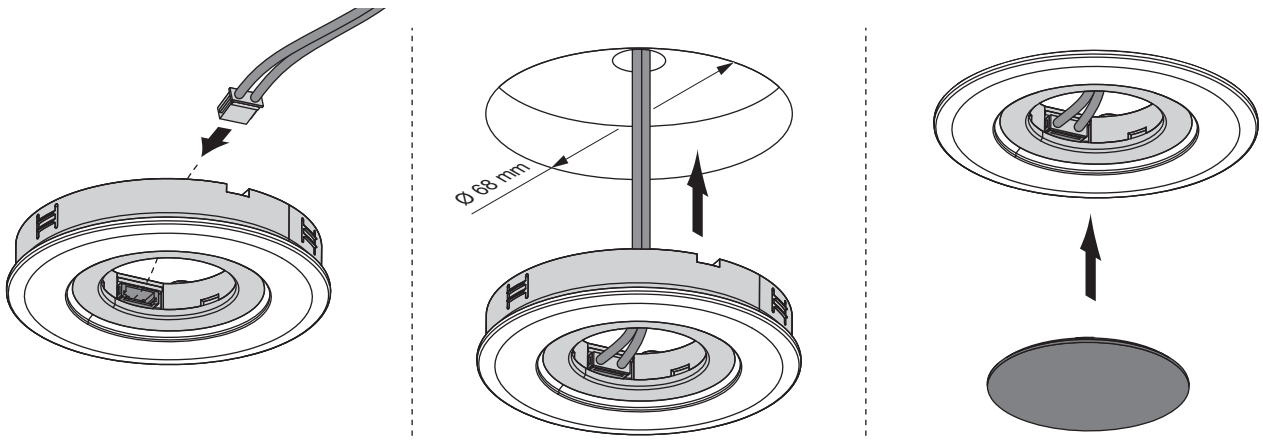


Cora	Color Temperature	Power (W)	Color	Ref.
Ringspot Cora	Emotion	2.50	Black / Stainless steel	2000528

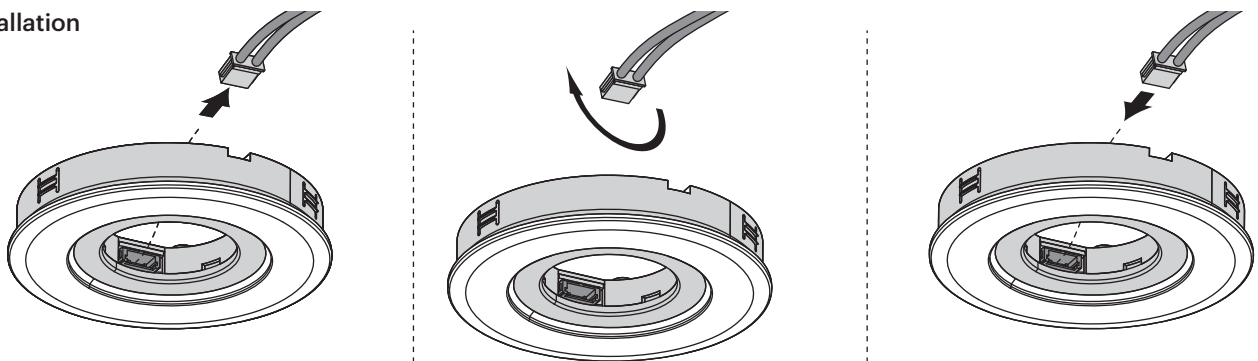
Dimensions



Installation



Installation



Emotion control systems



see chapter „Controls“ from page 174



SPOTS

PanLight Emotion



- Radially swiveling recessed luminaire
- Homogeneous illumination
- Dimmable with continuously adjustable color temperature using Emotion technology

SPOTS

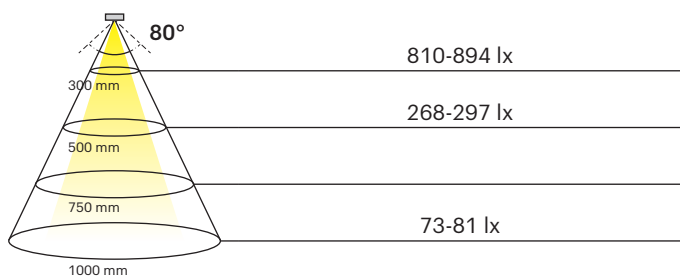
PanLight Emotion	
Luminous flux:	150 lm
Light efficacy:	50 lm/W
Number of LEDs:	30+30
Material:	Plastic
IP protection class:	IP20
Connection cable:	2000 mm
Energy efficiency class:	
Start color:	Warm white (mit Emotion adapter cable Cold white)

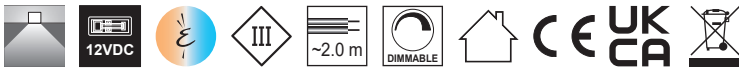


Photometrics

CRI >80

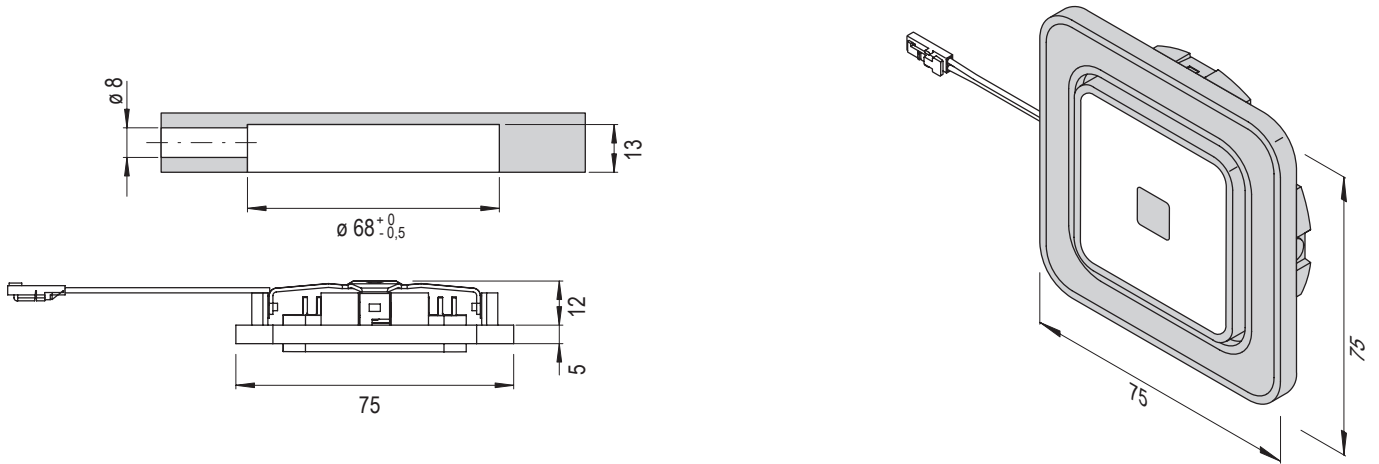
2700-5800 K



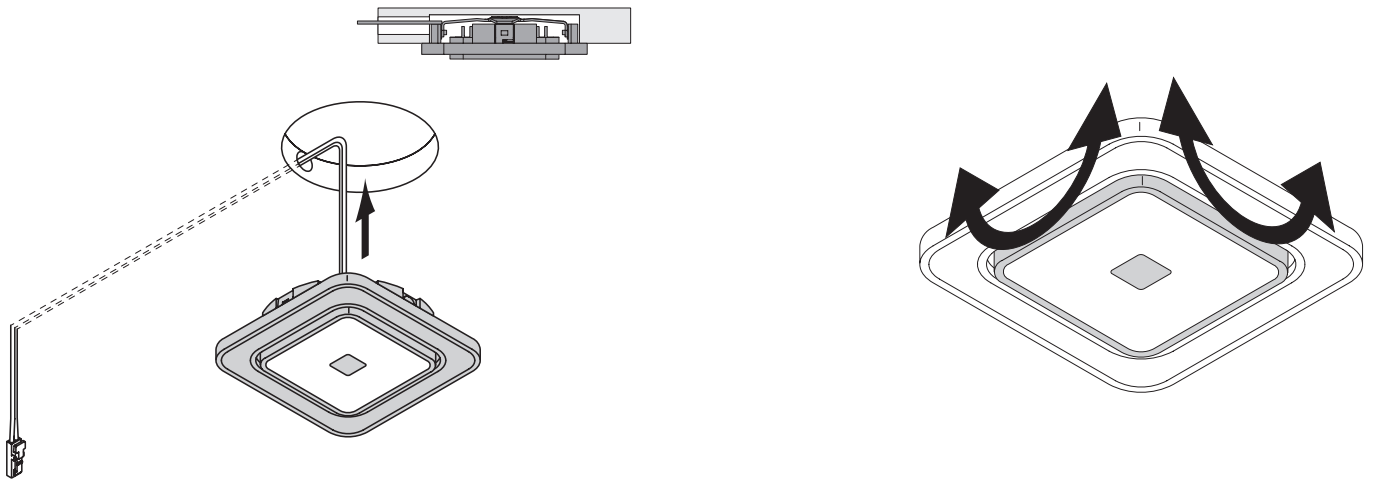


PanLight Emotion	Color Temperature (K)	Power (W)	Color	Ref.
PanLight Emotion	Emotion	3.0	White/Stainless steel finish	2000007
			Black/Stainless steel finish	2000008
Emotion adapter cable 12 V				2000436

Dimensions



Installation



SPOTS

Emotion control systems



see chapter „Controls“ from page 174

Chip 58 12 V



- Flat LED recessed spot light
- Spacer ring optional
- Diffused light source with continuous light output

SPOTS

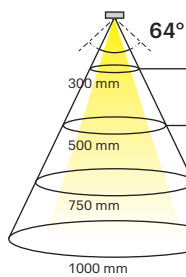
Chip 58 12 V



Luminous flux:	250 lm
Light efficacy:	62.50 lm/W
Number of LEDs:	24
Material:	Aluminum
IP protection class:	IP20
Connection cable:	1800 mm
Energy efficiency class:	F
Start color (Emotion):	Warm white (with Emotion adapter cable: Cool white)

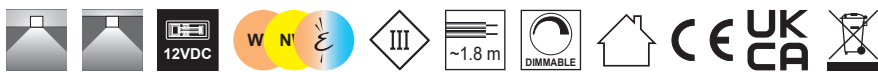
Photometrics

CRI >80



	3000 K	4000 K	2700-6500 K
1498 lx	1580 lx	1300-1385 lx	
520 lx	554 lx	445-520 lx	
235 lx	250 lx	200-212 lx	
100 lx	153 lx	125-133 lx	

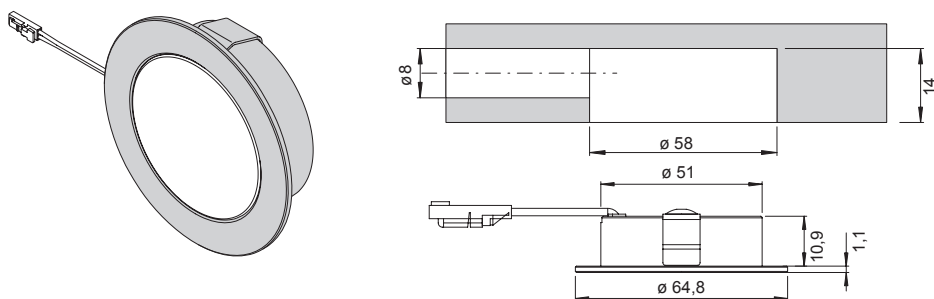




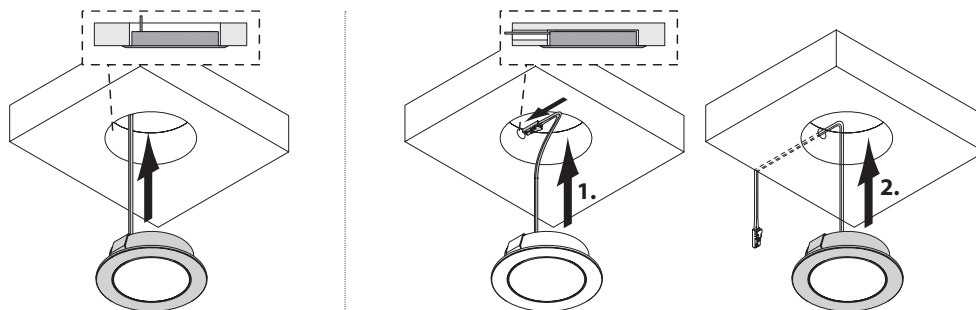
Chip 58 12 V		Color Temperature (K)	Power (W)	Color	Ref.
Chip 58	Emotion cable connection 12 V	Warm white	4.0	Stainless steel look	2000009
		Natural white			2000010
		Emotion			2000011
		Natural white		Black	2000865
		Emotion			2000864
Emotion cable connection 12 V					2000436

Chip 58 12 V / Set		Color Temperature (K)	Power (W)	Color	Ref.
Chip 58 Set of 3		Warm white	12.0	Stainless steel look	2000013
		Natural white			2000014

Dimensions



Installation



Accessories



Accessories	Color	Ref.
Chip 58 Spacer Ring	Stainless steel look	2000012
	Black	2000866

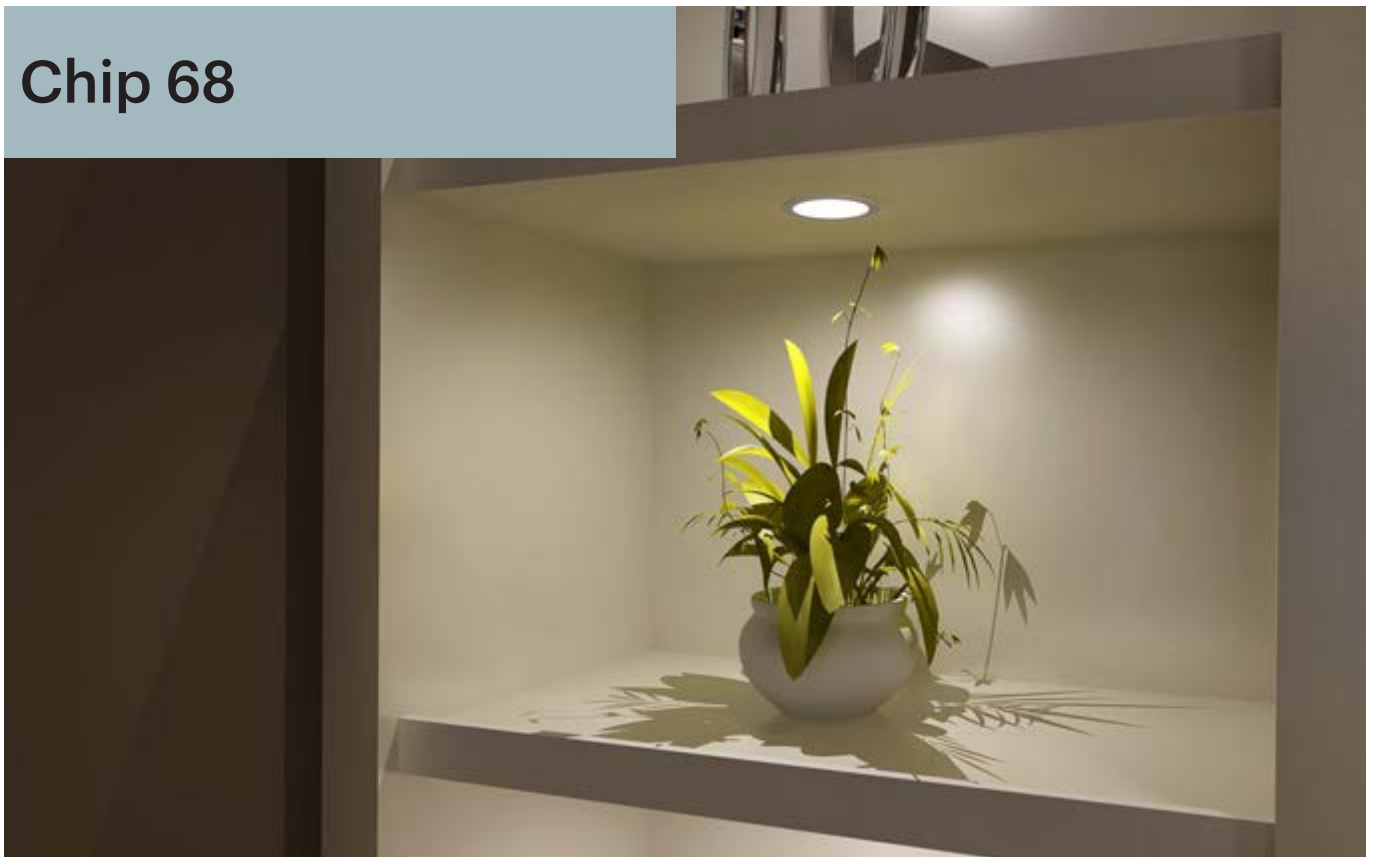
Emotion control systems



see chapter „Controls“ from page 174

SPOTS

Chip 68



- Flat LED recessed spot light
- Spacer ring optional
- Diffused light source with continuous light output

SPOTS

Chip 68

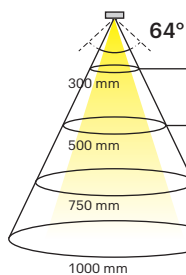


Luminous flux:	300 lm
Light efficacy:	75 lm/W
Number of LEDs:	30
Material:	Aluminum
IP protection class:	IP20
Connection cable:	1800 mm
Energy efficiency class:	F
Start color (Emotion):	Warm white (with Emotion adapter cable: Cool white)



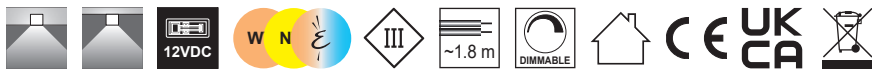
Photometrics

CRI >80



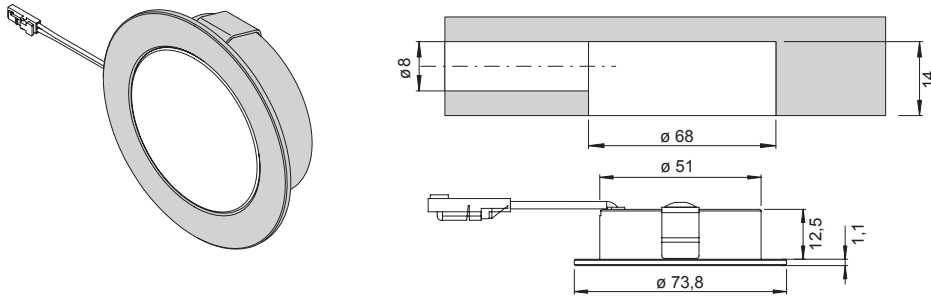
	3000 K	4000 K	2700-6500 K
1443 lx	1564 lx	1071-1429 lx	
471 lx	527 lx	366-491 lx	
209 lx	234 lx	164-221 lx	
130 lx	144 lx	102-137 lx	



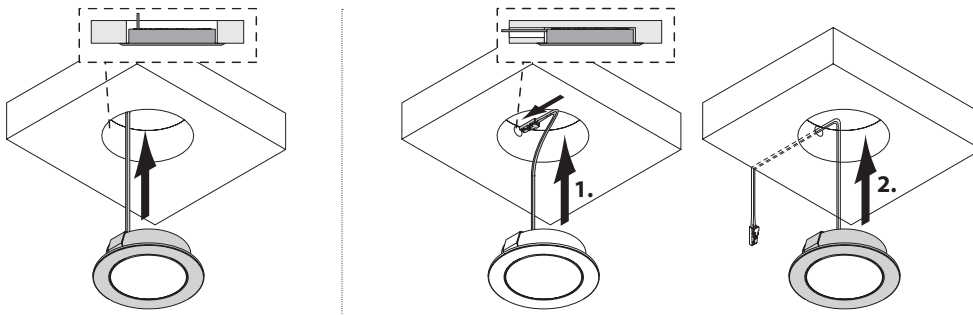


Chip 68	Color Temperature (K)	Power (W)	Color	Ref.
Chip 68	Warm white	4.0	Stainless steel finish	2000015
	Natural white			2000016
	Emotion			2000017
Emotion adapter cable 12 V				2000545
				2000436

Dimensions



Installation



Accessories



Accessories	Color	Ref.
Moonlight 68 Spacer Ring	Stainless steel finish	2000004
	Black	2000516

Emotion control systems



see chapter „Controls“ from page 174

Chip 2 58



- Flat LED recessed spot light
- Diffuse light source without light spot
- Lightweight plastic housing

SPOTS

Chip 2 58

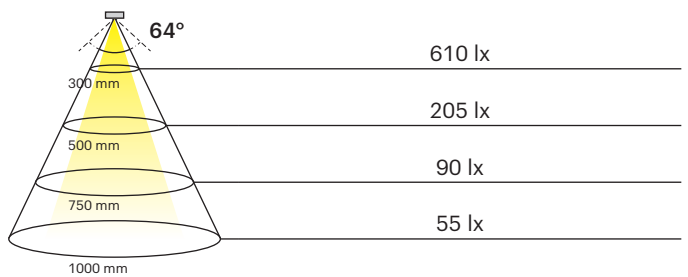
Luminous flux: 120 lm
 Light efficacy: 60 lm/W
 Material: Plastic
 IP protection class: IP20
 Connection cable: 1800 mm
 Energy efficiency class: **F**

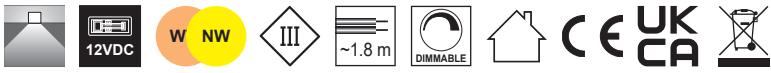



Photometrics

CRI >80

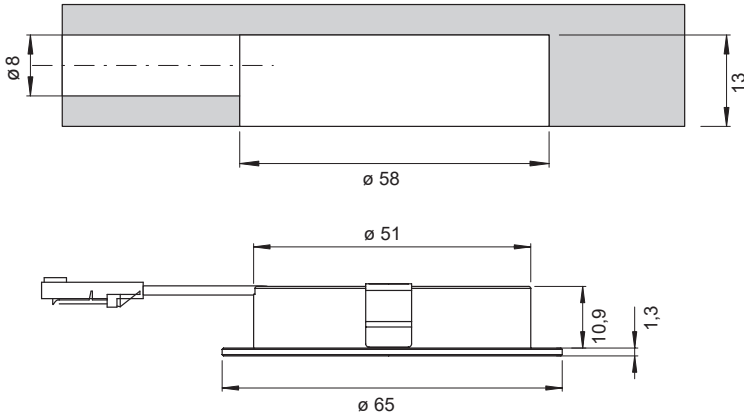
3000K, 4000K



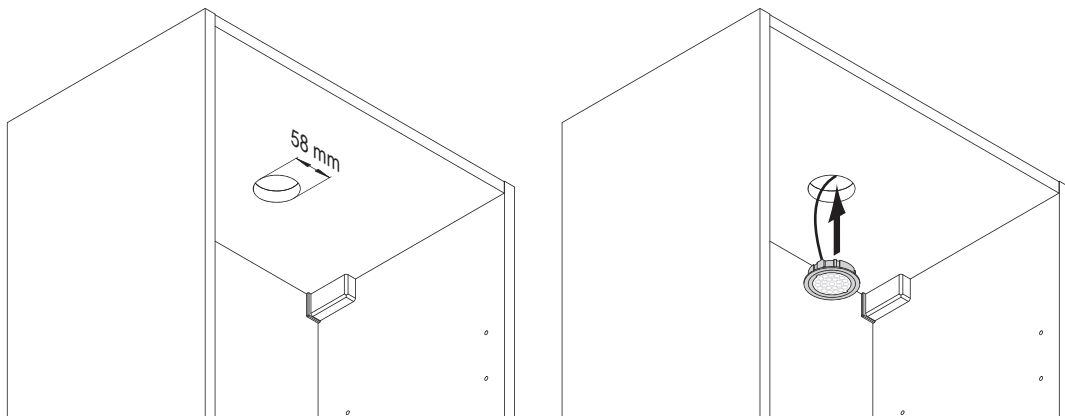


 Chip 2 58	Color Temperature (K)	Power (W)	Color	Ref.
	Chip 2 58 Warm white Natural white	2	Aluminum finish	2000729 2000730
Emotion adapter cable 12 V				2000436

Dimensions



Installation



SPOTS

Accessories



Accessories	Color	Ref.
Chip 2 58 Spacer ring	Aluminum finish	2000870

Emotion control systems



see chapter „Controls“ from page 174

Nova Plus Emotion



- Innovative lens technology
- Dimmable with continuously adjustable color temperature using Emotion technology
- Nova Plus 78 is ideal as a recessed ceiling light
- Anti-glare free


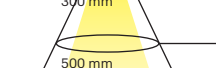
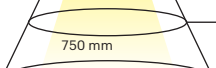
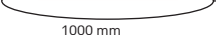
SPOTS


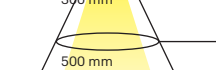
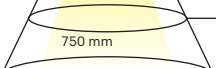
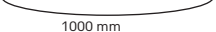
Nova Plus 68 Round Emotion

Luminous flux:	185 lm
Light efficacy:	62 lm/W
Number of LEDs:	12+12
Material:	Plastic
IP protection class:	IP20
Connection cable:	2000 mm
Energy efficiency class:	G
Start color:	Warm white (with Emotion adapter cable: Cool white)

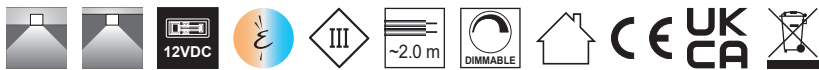


Photometrics

Nova Plus 68 CRI >80	2700-6500 K
	2067-2235 lx
	744-805 lx
	335-360 lx
	186-215 lx

Nova Plus 78 CRI >80	2700-6500 K
	3343-3958 lx
	1185-1283 lx
	613-631 lx
	321-333 lx

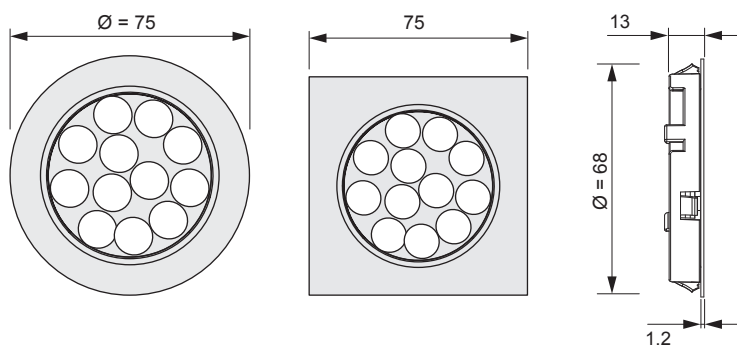




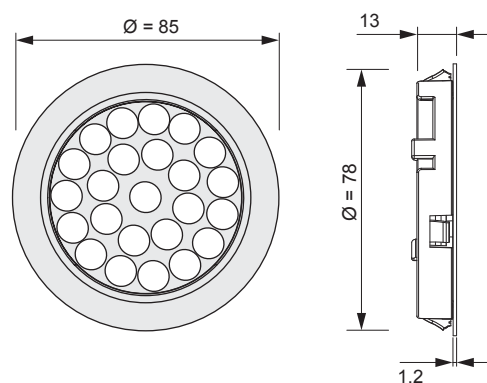
Nova Plus Emotion		Color Temperature (K)	Power (W)	Color	Ref.
68 Round	Emotion		3.0	Stainless steel finish	2000019
				Black	2000882
68 Square				Stainless steel finish	2000020
				Black	2000881
78 Round			5.0	Stainless steel finish	2000023
Emotion adapter cable 12 V					2000436

Dimensions

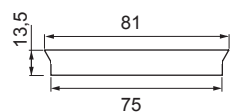
Nova Plus 68



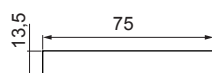
Nova Plus 78



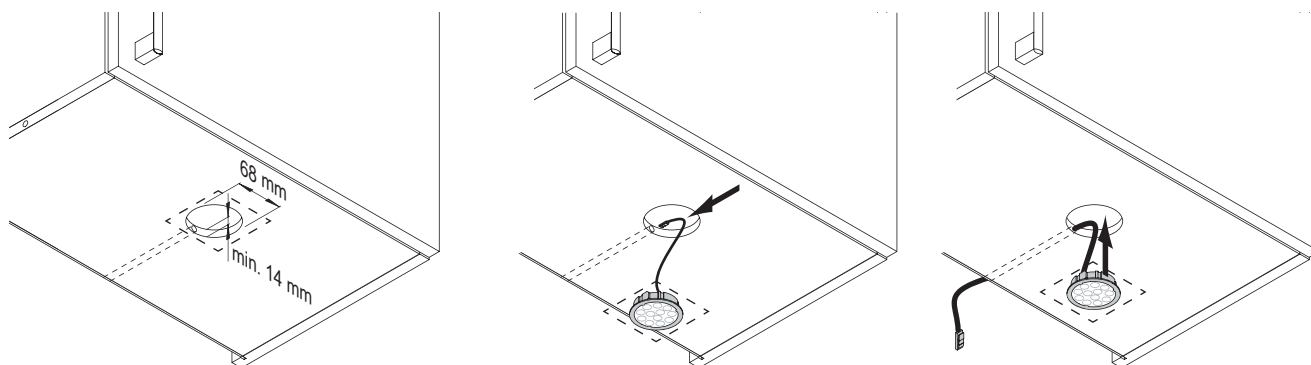
Spacer ring round



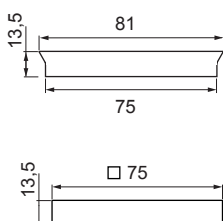
Spacer ring square



Installation



Accessories



Emotion control systems



Accessories	Color	Ref.
Nova Plus 68 Round Space Ring	Stainless steel finish	2000021
Nova Plus 68 Square Spacer Ring		2000022

see chapter „Controls“ from page 174

SPOTS



Superlight



- Recessed luminaire with high quality stainless steel look
- Only 2 mm edge height
- Pin hole 55-58 mm
- Dimmable with continuously adjustable color temperature using Emotion technology

SPOTS

Superlight

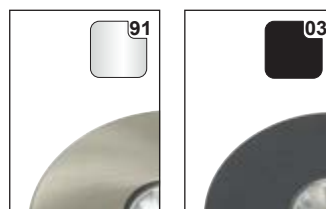
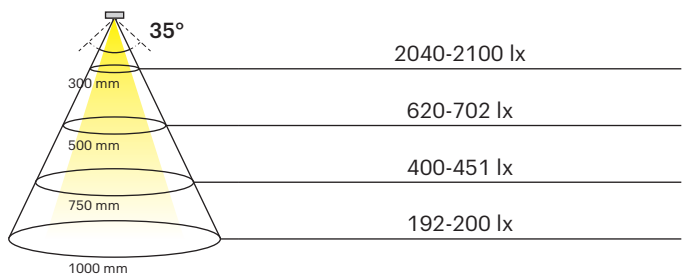
	
Luminous flux:	113-126 lm
Light efficacy:	47.5-83.3 lm/W
Number of LEDs:	9
Material:	Metal
IP protection class:	IP20
Connection cable:	1800 mm
Energy efficiency class:	
Start color:	Warm white (with Emotion adapter cable: Cool white)

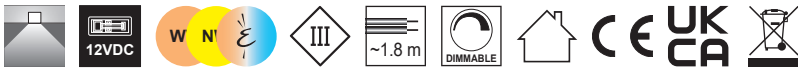


Photometrics

CRI >80

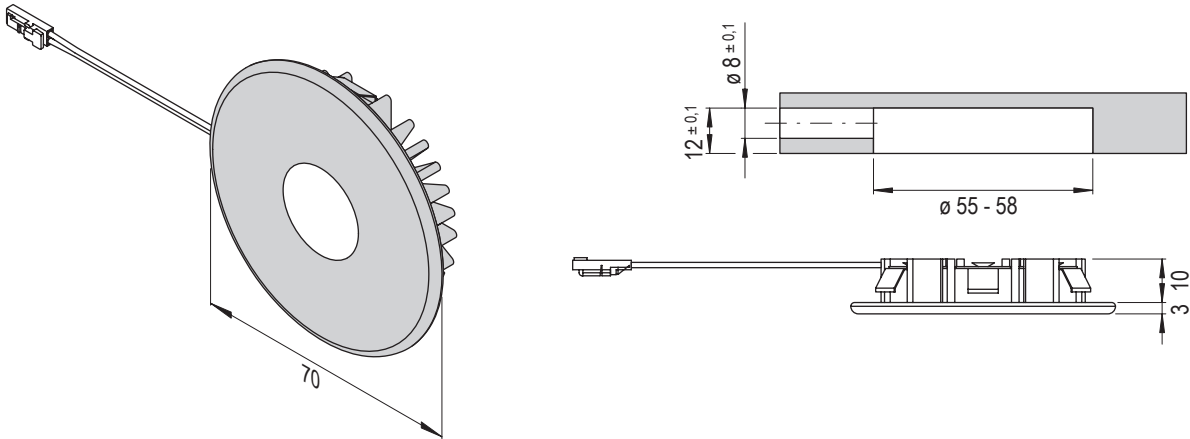
2700-6500 K



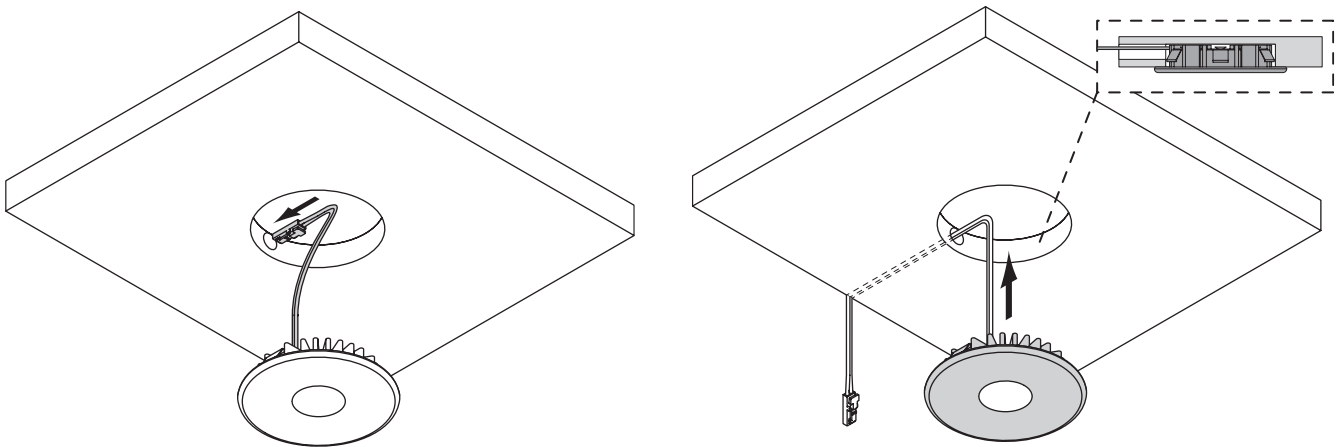


Superlight	Color Temperature (K)	Power (W)	Color	Ref.
Superlight	Warm white	2.7	Stainless steel finish	2000029
	Natural white			2000030
	Emotion	2.9	Black	2000483
Emotion adapter cable 12 V				2000436

Dimensions



Installation



Emotion control systems



see chapter „Controls“ from page 174



Chip L 58



- Powerful LED recessed spot
- Spacer ring optional
- Innovative lens technology
- Dimmable with continuously adjustable color temperature using Emotion technology

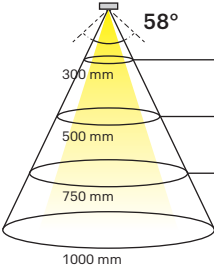
SPOTS

Chip L 58

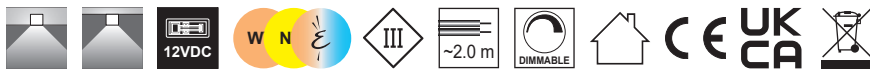
	
Luminous flux:	224 lm
Light efficacy:	90 lm/W
Number of LEDs:	15
Material:	Aluminum
IP protection class:	IP20
Connection cable:	2000 mm
Energy efficiency class:	
Start color (Emotion):	Warm white (with Emotion adapter cable: Cool white)



Photometrics

CRI >80	3000 K	4000 K	2700-6500 K
	1375 lx	512 lx	1332-1370 lx
300 mm	482 lx	170 lx	453-468 lx
500 mm	90 lx	84 lx	207-218 lx
750 mm	137 lx	64 lx	126-133 lx
1000 mm			

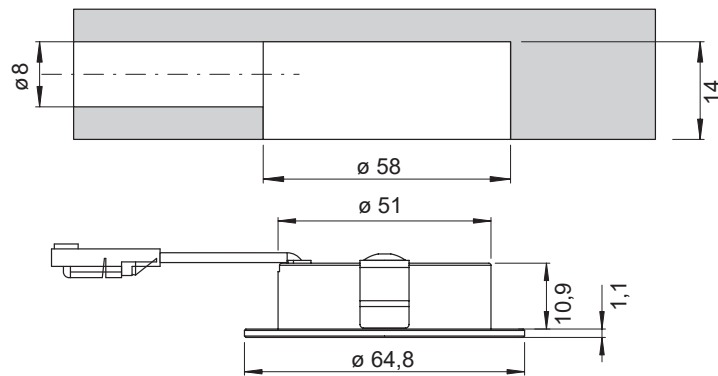
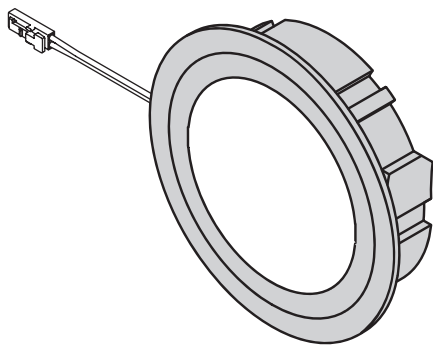




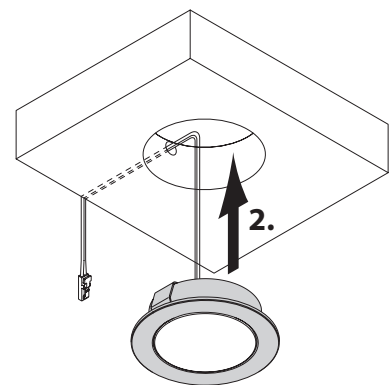
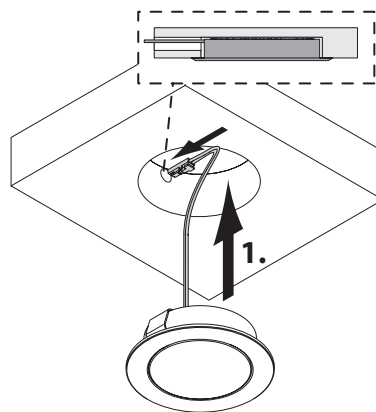
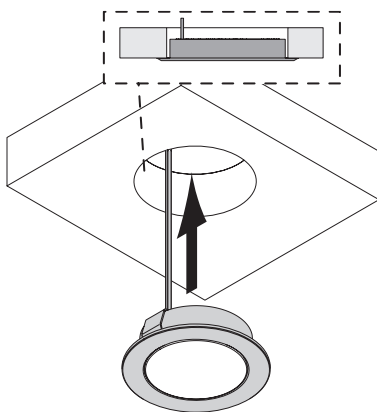
Chip L 58		Color Temperature (K)	Power (W)	Color	Ref.
Chip L 58		Warm white	2.5	Stainless steel look	2000032
		Natural white			2000033
		Emotion			2000034
Emotion adapter cable 12 V					2000887
					2000436

Chip L 58 / Set		Color Temperature (K)	Power (W)	Color	Ref.
Set of 3		Warm white	2.5/fixture	Stainless steel look	2000036
		Natural white			2000037

Dimensions



Installation



Accessories



Accessories	Color	Ref.
Chip 58 Spacer Ring	Stainless steel finish	2000012
	Black	2000866

Emotion control systems



see chapter „Controls“ from page 174

SPOTS



Chip L 68

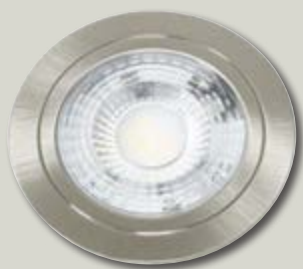


- Powerful LED recessed spot
- Spacer ring optional
- Innovative lens technology
- Dimmable with continuously adjustable color temperature using Emotion technology

SPOTS

Chip L 68

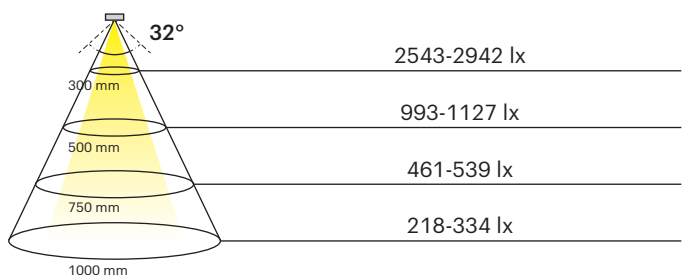
	
Luminous flux:	242-243 lm
Light efficacy:	60.5-60.75 lm/W
Number of LEDs:	4+4
Material:	Aluminum
IP protection class:	IP20
Connection cable:	2000 mm
Energy efficiency class:	
Start color:	Warm white (with Emotion adapter cable: Cool White)

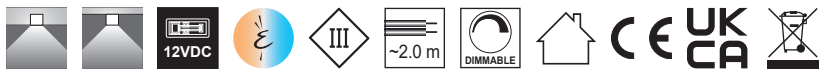


Photometrics

CRI >80

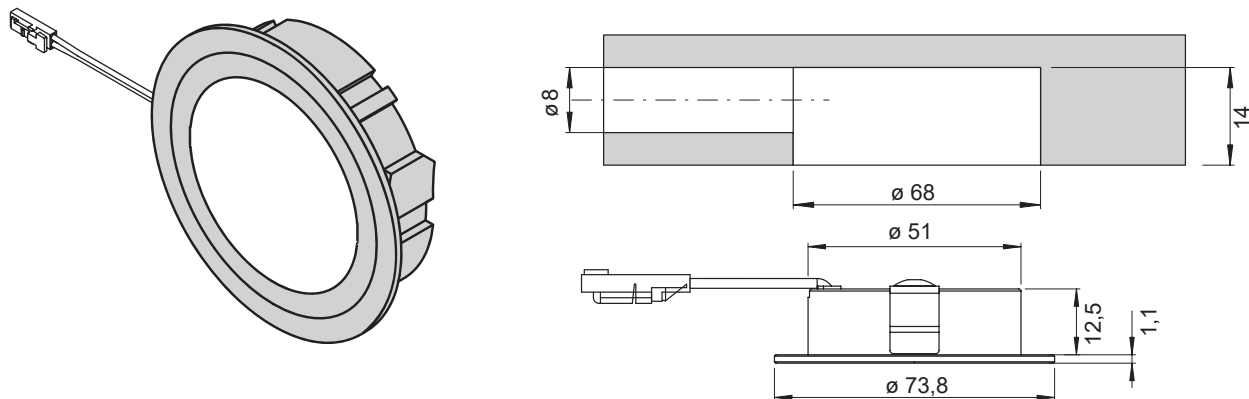
2700-6500 K



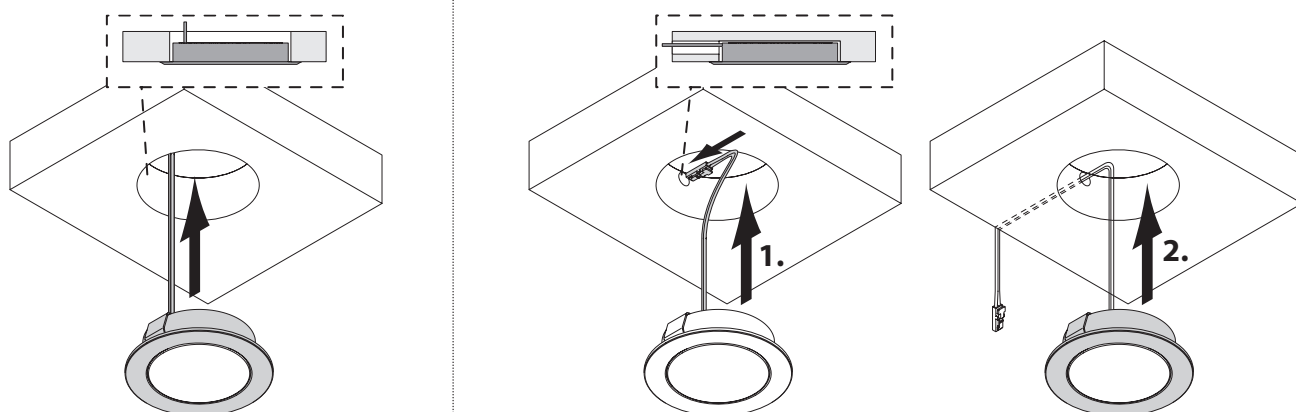


Chip L 68	Color Temperature (K)	Power (W)	Color	Ref.
Chip L 68	Emotion	4.0	Stainless steel finish	2000040
			Black	2000546
Emotion adapter cable 12 V				2000436

Dimensions



Installation



SPOTS

Accessories



Accessories	Color	Ref.
Chip 68 Spacer ring	Stainless steel finish	2000018
	Black	2000547

Emotion control systems



see chapter „Controls“ from page 174

Flex Spot Emotion



- Recessed luminaire with lamp head that can be swiveled up to 80°
- Dimmable with continuously adjustable color temperature using Emotion technology

SPOTS

Flex Spot Emotion



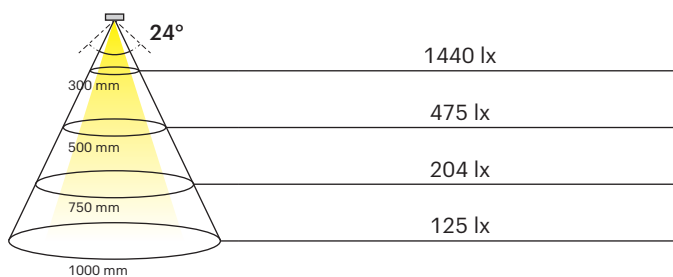
Luminous flux:	55 lm
Light efficacy:	42 lm/W
Number of LEDs:	4
Material:	Aluminum
IP protection class:	IP20
Connection cable:	1800 mm
Start color:	Warm white (with Emotion adapter cable: Cool white)



Photometrics

CRI >80

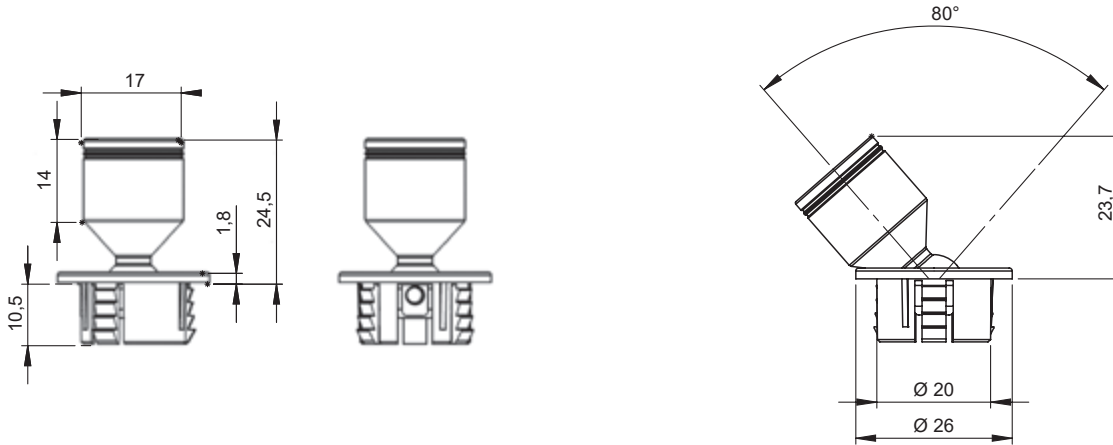
2700-6500 K



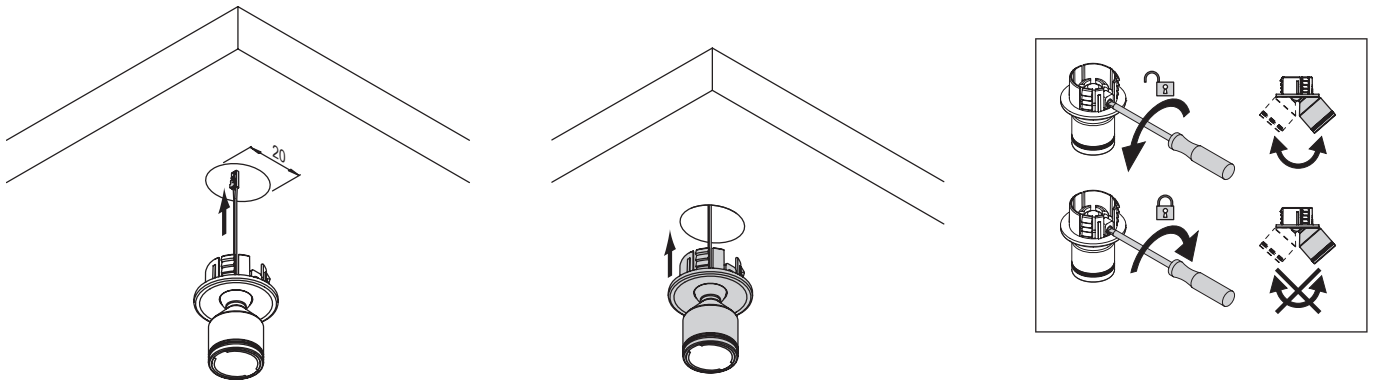


Flex Spot Emotion	Color Temperature (K)	Power (W)	Color	Ref.
Flex Spot Emotion	Emotion	1.3	Black	2000047
			White	2000048
			Silver finish	2000049
Emotion adapter cable 12 V				2000436

Dimensions



Installation



SPOTS

Emotion control systems



see chapter „Controls“ from page 174

Super Spot Emotion



- Recessed lamp with swiveling lamp head
- Aluminum housing
- Dimmable with continuously adjustable color temperature using Emotion technology

SPOTS

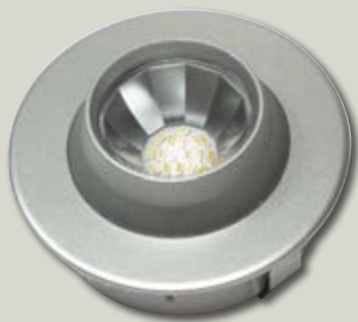
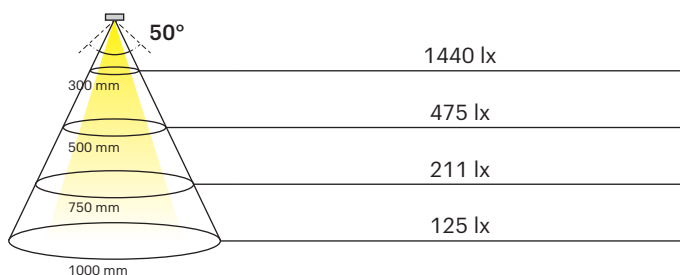
Super Spot Emotion	
Luminous flux:	80 lm
Light efficacy:	40 lm/W
Number of LEDs:	9+9
Material:	Aluminum
IP protection class:	IP20
Connection cable:	2000 mm
Energy efficiency class:	F
Start color:	Warm white (with Emotion adapter cable: Cool white)

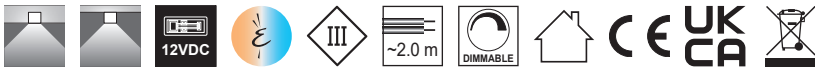


Photometrics

CRI >80

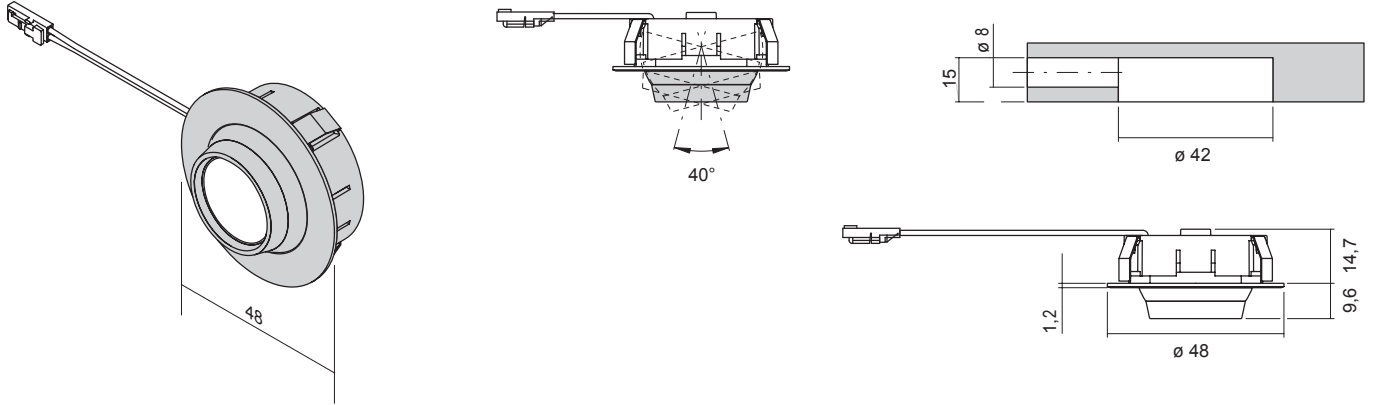
2700-6500 K



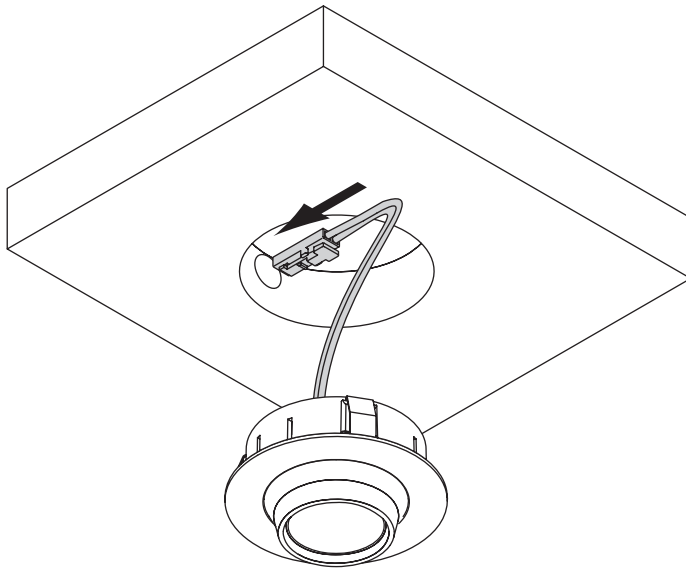


Super Spot Emotion	Color Temperature (K)	Power (W)	Color	Ref.
Super Spot Emotion	Emotion	2.0	Silver finish	2000050
Emotion adapter cable 12 V				2000436

Dimensions

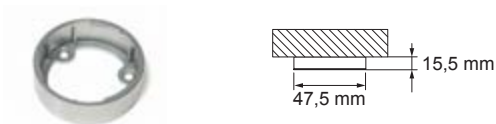


Installation



SPOTS

Accessories



Accessories	Color	Ref.
Super Spot Spacer ring	Silver finish	2000051

Emotion control systems



see chapter „Controls“ from page 174

Super Spot S Emotion



- Aluminum housing
- Dimmable with continuously adjustable color temperature using Emotion technology
- Ideal for narrow aluminum profiles
- Anti-glare free

SPOTS

Super Spot S Emotion

Luminous flux:

95 lm

Light efficacy:

48 lm/W

Number of LEDs:

9+9

Material:

Aluminum

IP protection class:

IP20

Connection cable:

2000 mm

Energy efficiency class:

F

Start color:

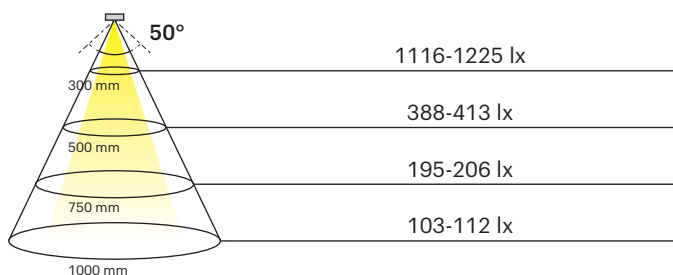
Warm white (with Emotion adapter cable: Cool white)

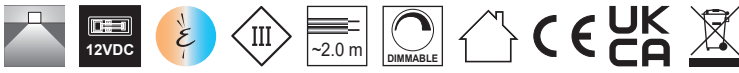


Photometrics

CRI >80

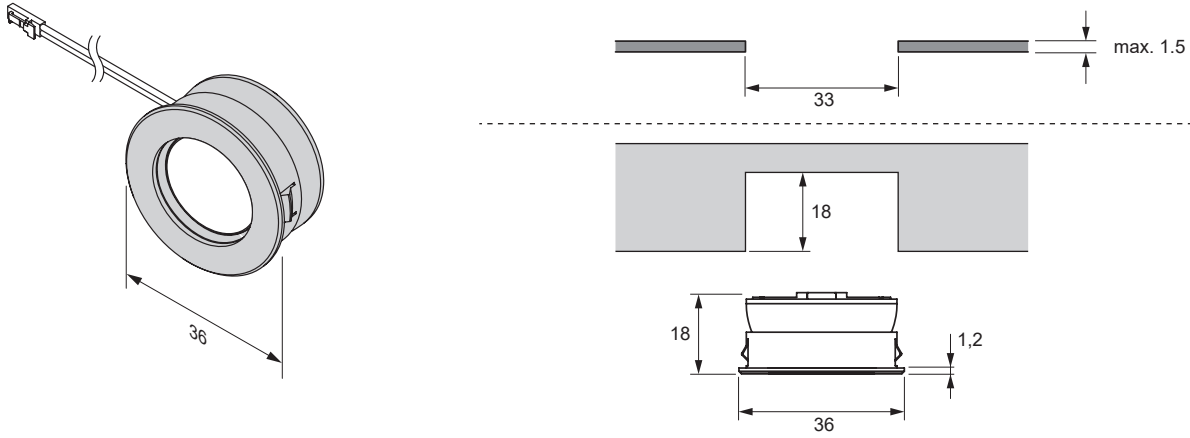
2700-6500 K



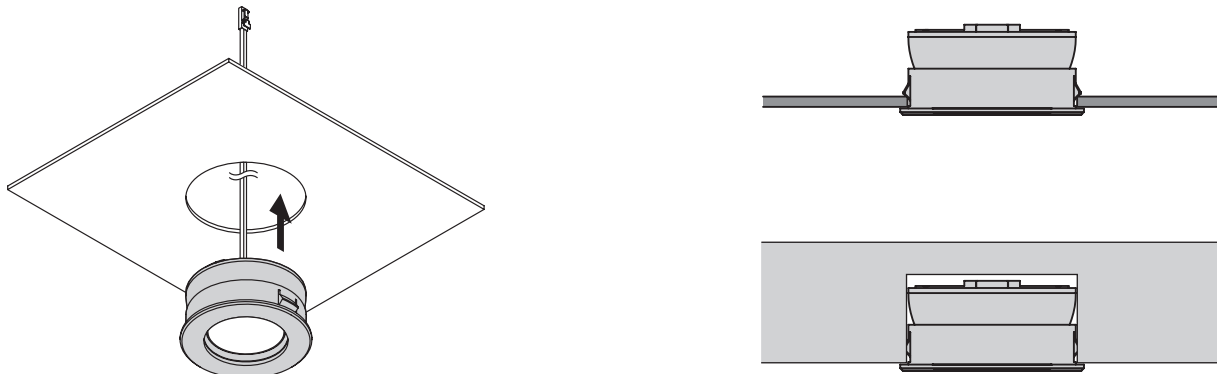


Super Spot S Emotion	Color Temperature (K)	Power (W)	Color	Ref.
Super Spot S Emotion	Emotion	2.0	Silver finish	2000052
			Black	2000694
Emotion adapter cable 12 V				2000436

Dimensions



Installation



Emotion control systems



see chapter „Controls“ from page 174

Moonlight HV



- High-voltage light, no driver necessary
- Flat LED recessed spot light
- Diffused light source with continuous light output
- Tyco high-voltage connector system

SPOTS

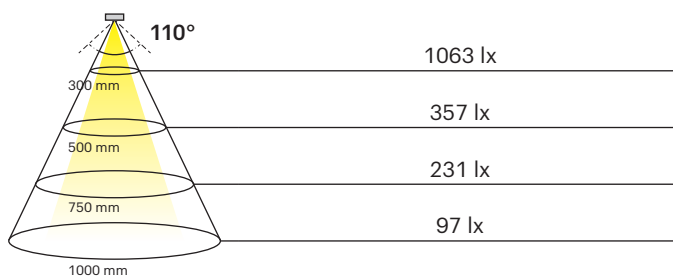
Moonlight HV	
Luminous flux:	264 lm
Light efficacy:	102 lm/W
Number of LEDs:	30
Material:	Plastic
IP protection class:	IP20
Connection cable:	2000 mm
Energy efficiency class:	

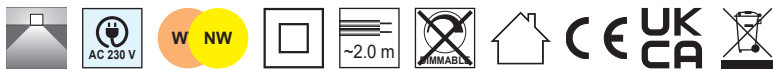


Photometrics

CRI >80

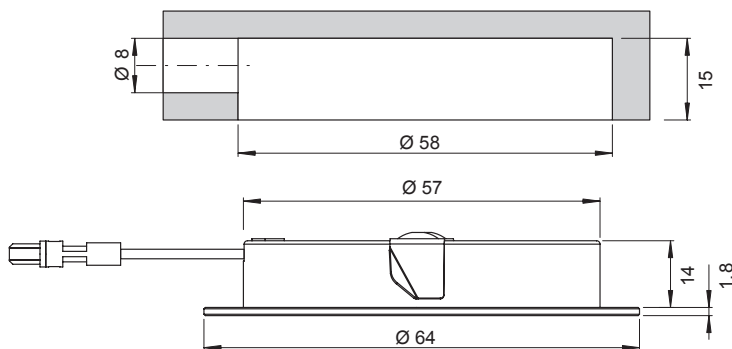
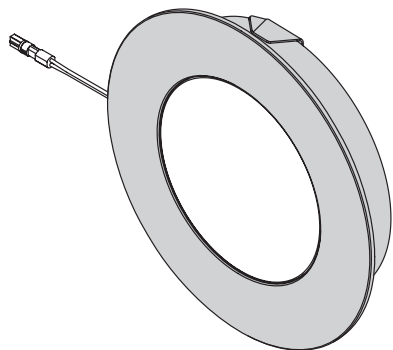
3000K, 4000K



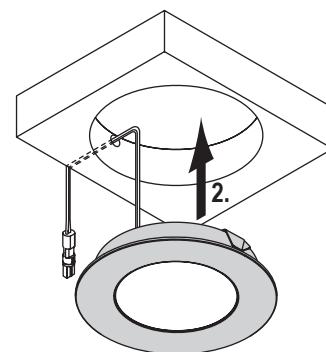
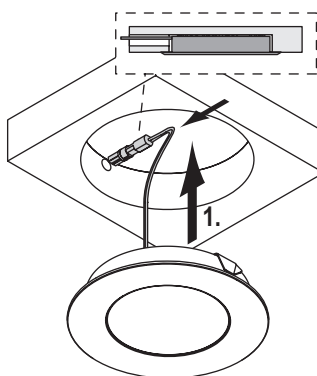
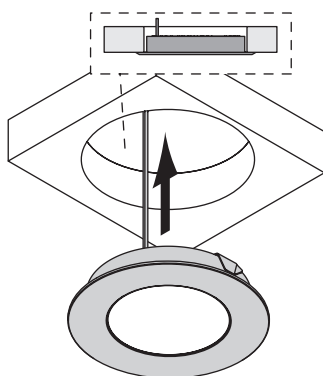


Moonlight HV	Color Temperature (K)	Power (W)	Color	Ref.
Moonlight HV	Warm white	2.6	Stainless steel finish	2000053
	Natural white			2000054

Dimensions



Installation



Accessories



Accessories	Ref.
6-way distributor	2000055
Connection cable	940600522

SPOTS

Tavos Q



- Slim plastic housing with mounting springs
- Integrated driver
- Extremely bright
- Easy installation

SPOTS

Tavos Q



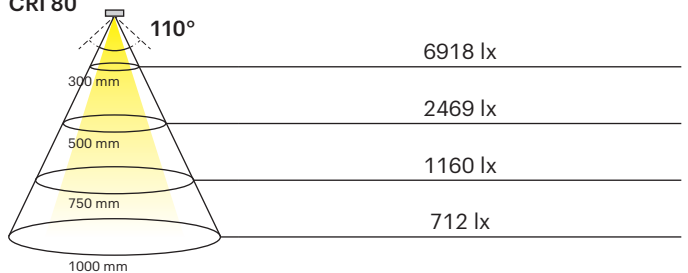
	Q 165	Q215
Luminous flux:	1360 lm	2250 lm
Light efficacy:	85 lm/W	93.75 lm/W
Material:	Plastic	
IP protection class:	IP20	
Connection cable:	150 mm	100mm
Energy efficiency class:	F	E



Photometrics

Tavos Q 165
CRI 80

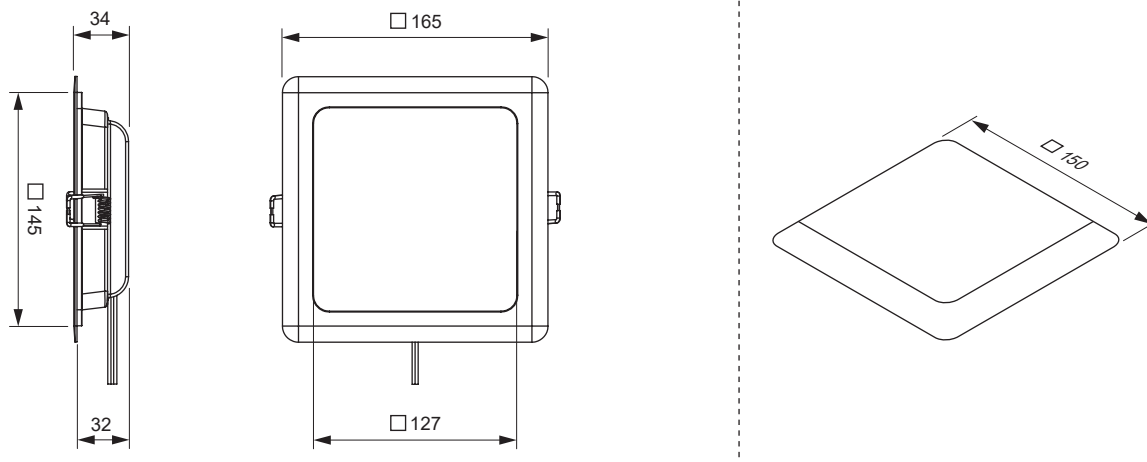
3000 K



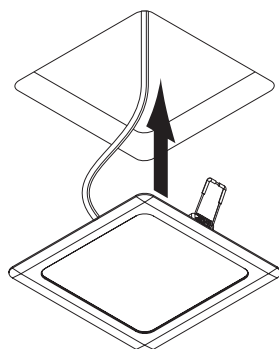


Tavos Q	Color Temperature (K)	Power (W)	Color	Ref.
Tavos Q 165	3000	16	White	2000861
Tavos Q 215		24		2000862

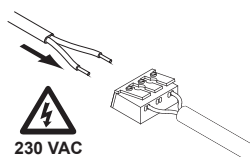
Dimensions




Installation



Connection



230 VAC



**Installation erfordert
Elektrofachkraft**
*The installation must be carried
out by a qualified technician*

RECOMMENDED NUMBER OF LUMINAIRES

ROOM SPACE	ROOM HEIGHT 240-270 cm Brightness		ROOM HEIGHT 270-300 cm brightness	
	bright*	normal*	bright*	normal*
Tavos Q 165, recommended number of luminaires				
200x300 cm	5	3	6	5
300x300 cm	6	5	8	6
300x400 cm	10	7	12	10
Tavos Q 215, recommended number of luminaires				
400x400 cm	4	3	5	4
300x600 cm	5	4	7	5
600x600 cm	8	5	11	8

* bright = high to medium room brightness / normal = medium to low room brightness
Please note that room brightness is significantly influenced by colors and materials in the room.

SPOTS

Tavos R



- Slim plastic housing with mounting springs
- Integrated driver
- Extremely bright
- Easy installation

SPOTS

Tavos R

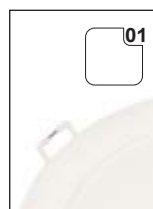
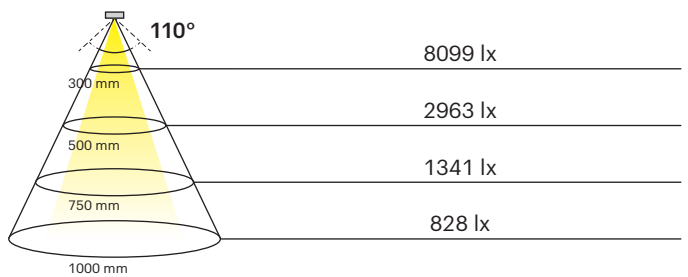
Luminous flux:	1500 lm
Light efficacy:	93.75 lm/W
Material:	Plastic
IP protection class:	IP20
Connection cable:	150 mm
Energy efficiency class:	E




Photometrics

CRI 80

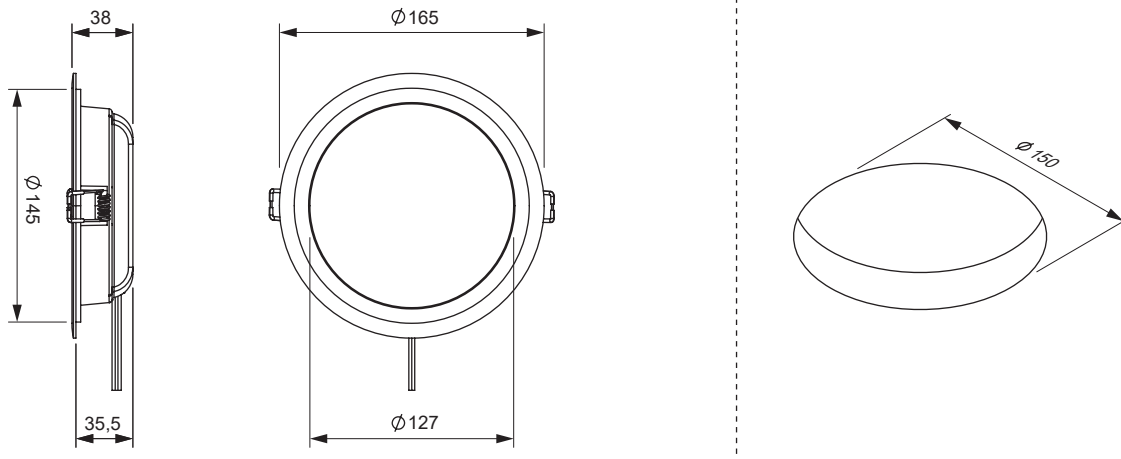
3000 K



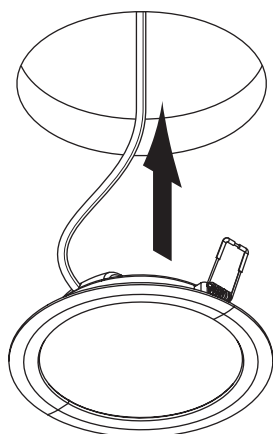


 Tavos R	Color Temperature (K)	Power (W)	Color	Ref.
Tavos R Ø 165 mm	3000	16.0	White	2000860

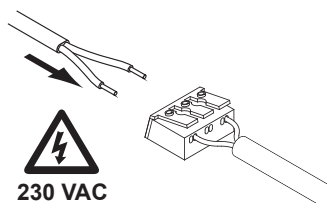
Dimensions




Installation



Connection





**Installation erfordert
Elektrofachkraft**
*The installation must be carried
out by a qualified technician*

RECOMMENDED NUMBER OF LUMINAIRES

ROOM SPACE	ROOM HEIGHT 240-270 cm Brightness		ROOM HEIGHT 270-300 cm brightness	
	bright*	normal*	bright*	normal*
Tavos R 165 mm, recommended number of luminaires				
200x300 cm	4	3	6	4
300x300 cm	6	4	8	6
300x400 cm	9	6	11	9

* bright = high to medium room brightness
normal = medium to low room brightness

Please note that room brightness is significantly influenced by colors and materials in the room.

SPOTS

Plinthy



- Mini recessed spotlight for 8.5 mm hole
- Ideal for ambient lighting in skirting boards, steps and corridors or as a starry sky
- Reduced glare

Plinthy



Luminous flux:	6 lm
Light efficacy:	43 lm/W
Number of LEDs:	1
Material:	Plastic
IP protection class:	IP20
Connection cable:	700 mm

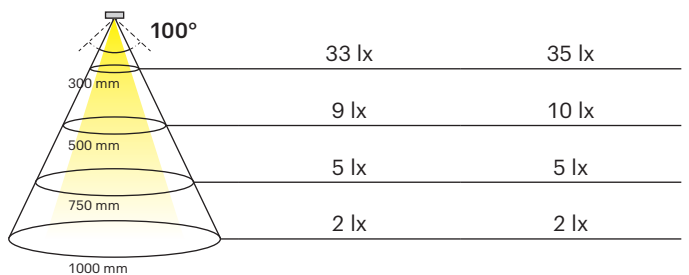


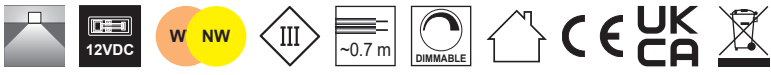
Photometrics

CRI >80

3000 K

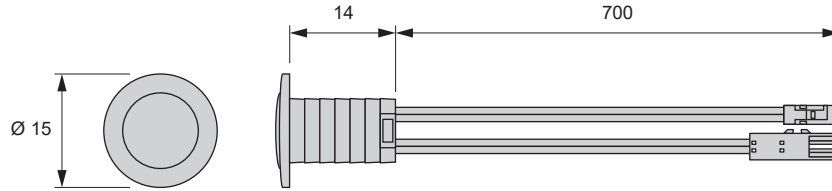
4000 K



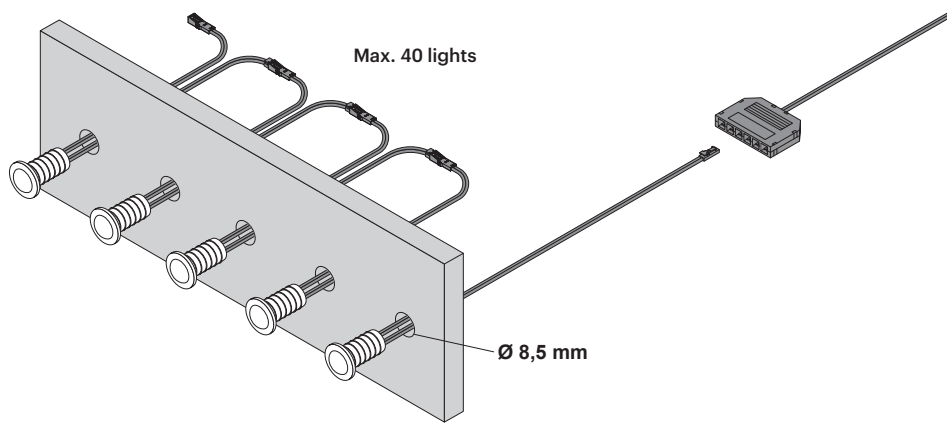


Plinthy	Color Temperature (K)	Power (W)	Color	Ref.
Plinthy	3000	0.14	Transparent	2000731
	4000			2000732

Dimensions



Installation

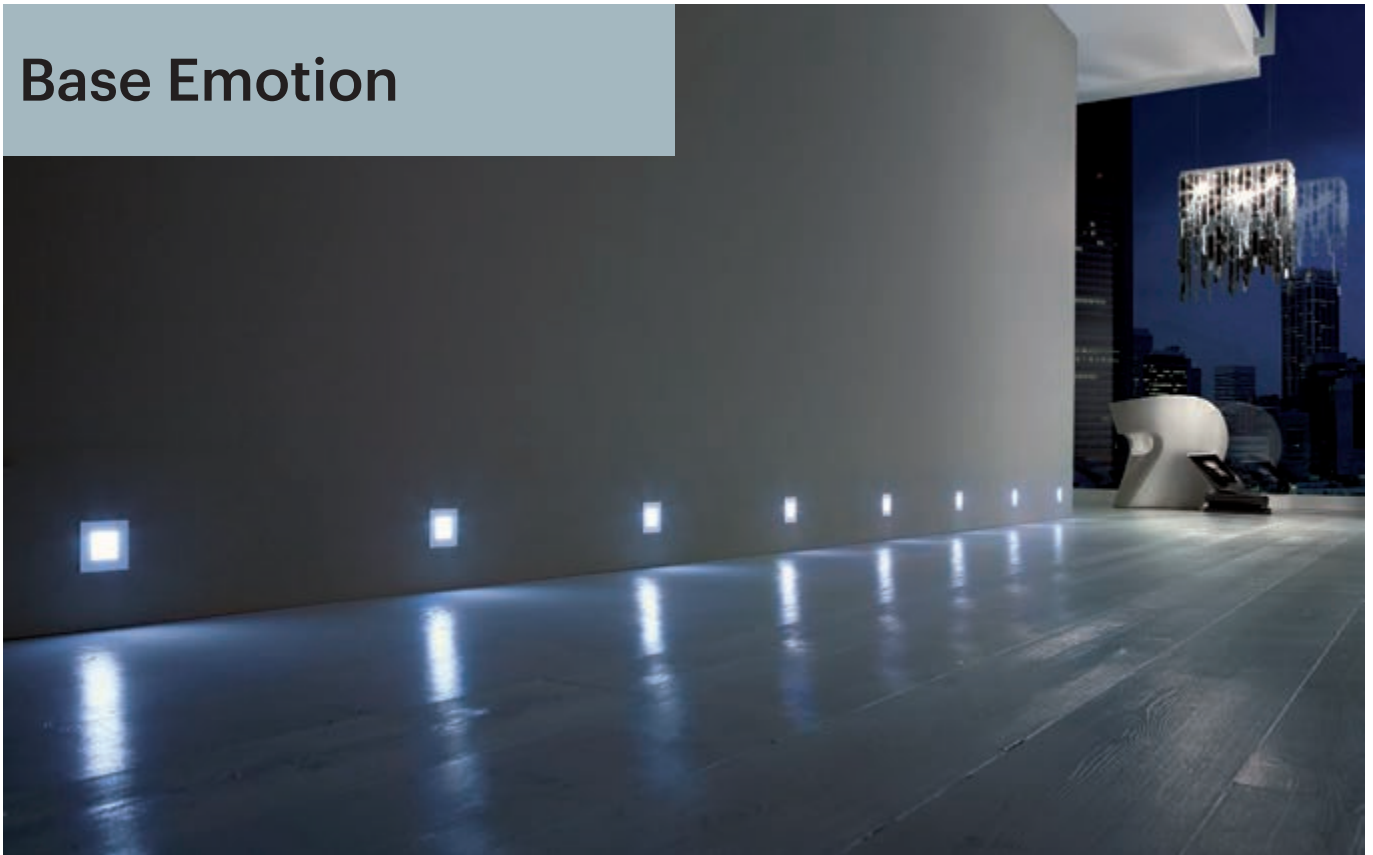


Control systems



see chapter „Controls“ from page 174

Base Emotion



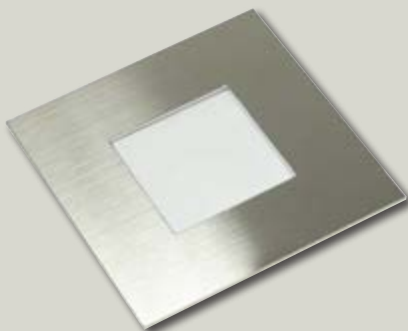
- Ideal as a discreet base lamp
- Diffused light source with continuous light output
- Dimmable with continuously adjustable color temperature using Emotion technology

SPOTS

Base Emotion



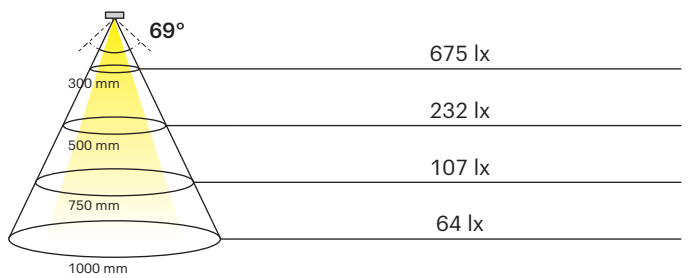
Luminous flux:	16 - 17.5 lm
Light efficacy:	53-58 lm/W
Number of LEDs:	4+4
Material:	Stainless steel
IP protection class:	IP20
Connection cable:	2000 mm
Start color:	Warm white (with Emotion adapter cable: Cool white)

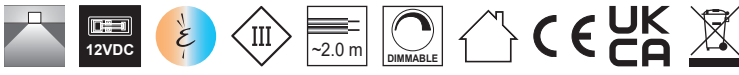


Photometrics

CRI >80

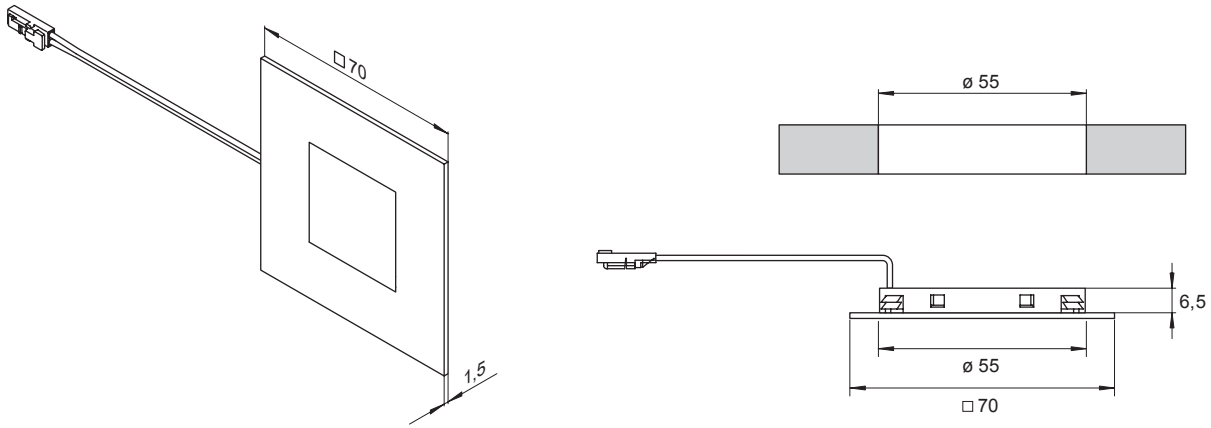
2700-6500 K



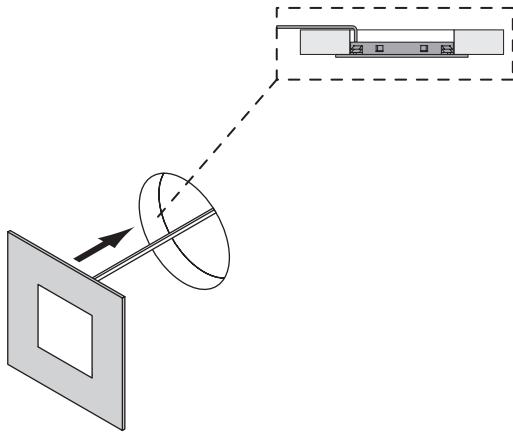


Base Emotion	Color Temperature (K)	Power (W)	Color	Ref.
Base Emotion	Emotion	0.30	Brushed stainless steel	2000056
Emotion adapter cable 12 V				2000436

Dimensions



Installation



Emotion control systems



see chapter „Controls“ from page 174

Matrix Emotion



- Highly efficient surface-mounted LED light. Can be screwed or glued to surface.
- Innovative lens technology
- Two cover frames in stainless steel- or aluminum finish
- Available in 12V and 24V
- Anti-glare light

SPOTS

Matrix Emotion

Luminous flux:

154-176 lm

Light efficacy:

77-88 lm/W

Number of LEDs:

25+25

Material:

Plastic

IP protection class:

IP20

Connection cable:

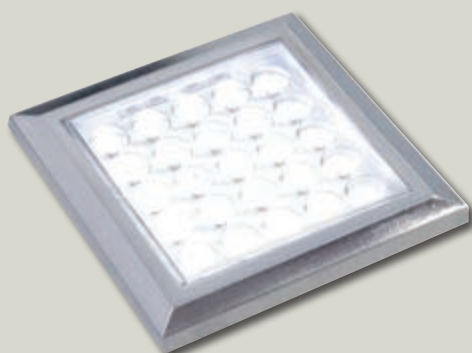
2000 mm

Energy efficiency class:

F

Start color:

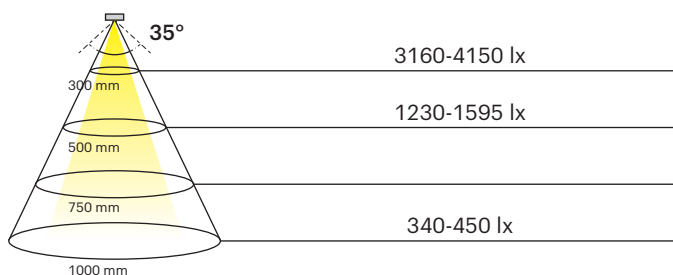
Warm white (with Emotion adapter cable Cool white)

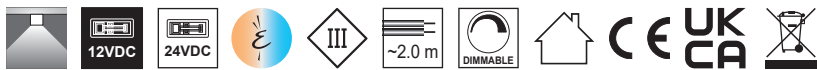


Photometrics

CRI >80

3000-6000 K

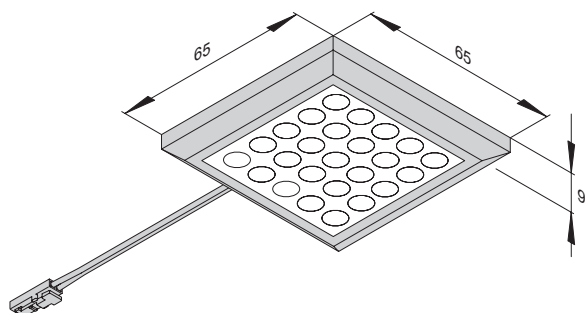




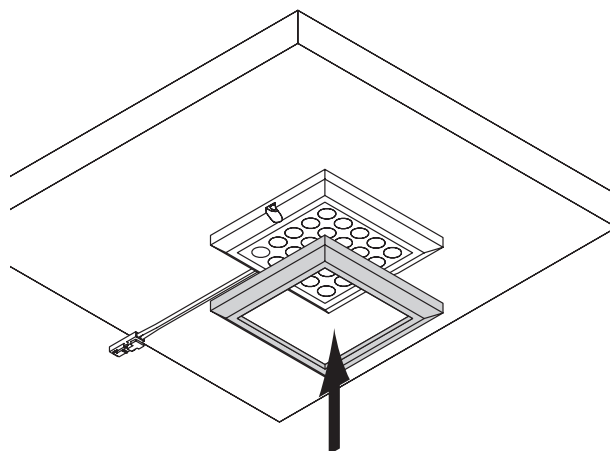
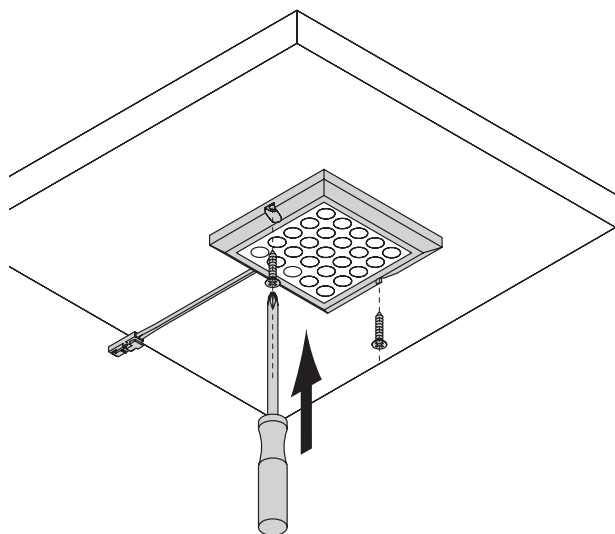
12V LED	Matrix Emotion	Color Temperature (K)	Power (W)	Color	Ref.
	Matrix Emotion 12 V	Emotion	2.0	Stainless steel finish/ Aluminum finish	2000069
	Emotion adapter cable 12 V				2000436

24V LED	Matrix Emotion	Color Temperature (K)	Power (W)	Color	Ref.
	Matrix Emotion 24 V	Emotion	2.0	Stainless steel finish/ Aluminum finish	2000070
	Emotion adapter cable 24 V				2000437

Dimensions



Installation



SPOTS

Emotion control systems



see chapter „Controls“ from page 174

Planar L



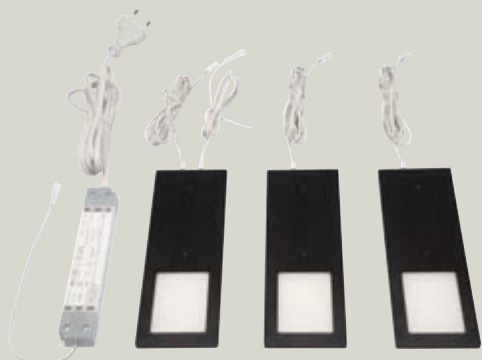
- High Quality super slim aluminum housing
- Diffused light source with continuous light output
- Master luminaire with switch and dimming function
- Set including LED converter and distributor

SPOTS

Planar L



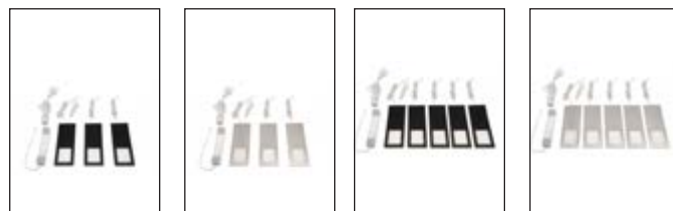
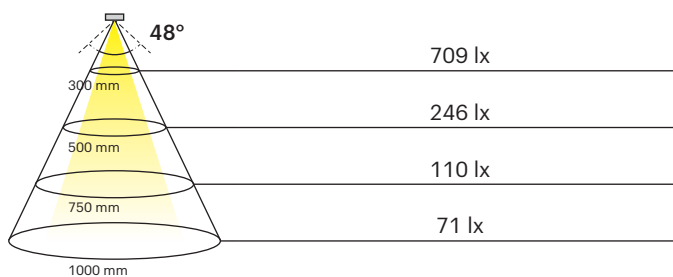
Luminous flux:	170 lm
Light efficacy:	56.67 lm/W
Number of LEDs:	28/lamp
Material:	Aluminum
IP protection class:	IP20
Connection cable:	2000 / 1000+100 mm
Energy efficiency class:	E



Photometrics

CRI >80

4000 K



Set of 3

Set of 5





Planar S



- High quality aluminum housing
- Slim compact housing
- Diffused light source with continuous light output

SPOTS

Planar S

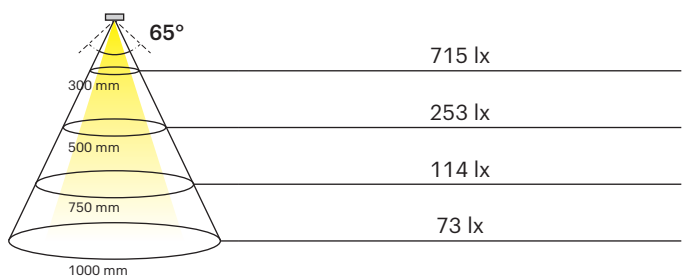
	
Luminous flux:	170 lm
Light efficacy:	56.57 lm/W
Number of LEDs:	28/lamp
Material:	Aluminum
IP protection class:	IP20
Connection cable:	2000 mm
Energy efficiency class:	

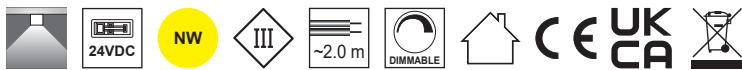


Photometrics

CRI >81

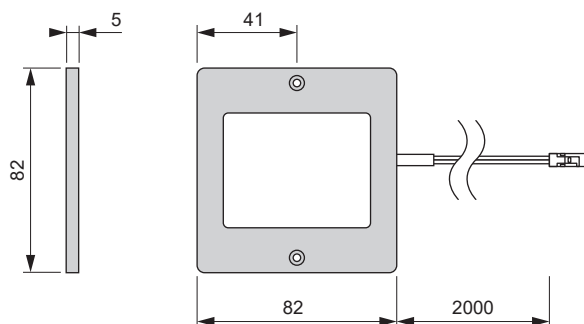
4000 K



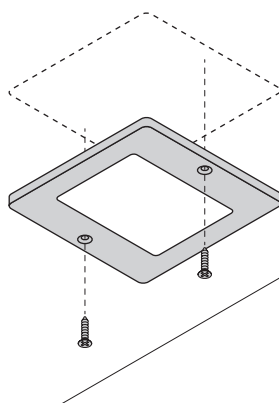


Planar S	Color Temperature (K)	Power (W)	Color	Ref.
Single light	Natural white	3.0	Aluminum	597600003
			Black	597600004
Emotion adapter cable 12 V				2000436

Dimensions



Installation



SPOTS

LED converters

Switches / Dimmer



LED converter 24 V	Ref.
15 W	2000423
30 W	2000424
60 W	2000425

Switches / Dimmer	Ref.
Radio Dimmer	2000445
Sensors / Switches / Dimmers	see from page 218

Glaspoint/Woodpoint Emotion



- Small dimensions
- Radiation up and down
- Dimmable with continuously adjustable color temperature using Emotion technology
- Glaspoint adjustable for 6-10 mm glass shelves

SPOTS

Glaspoint Emotion



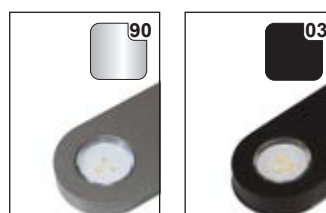
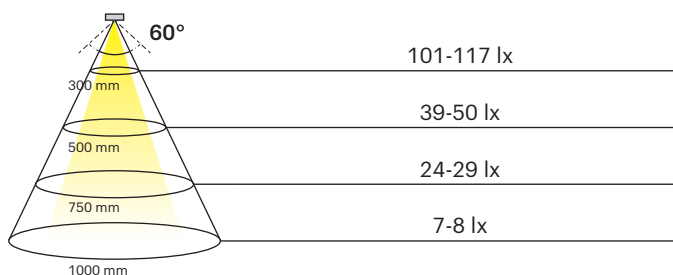
Luminous flux:	44-53 lm
Light efficacy:	55-66 lm/W
Number of LEDs:	6+6
Material:	Plastic
IP protection class:	IP20
Connection cable:	2000 mm
Start color:	Warm white (with Emotion adapter cable: Cool white)

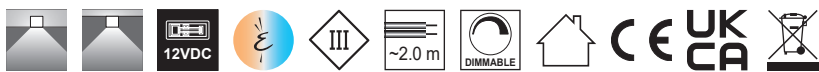


Photometrics

CRI 85

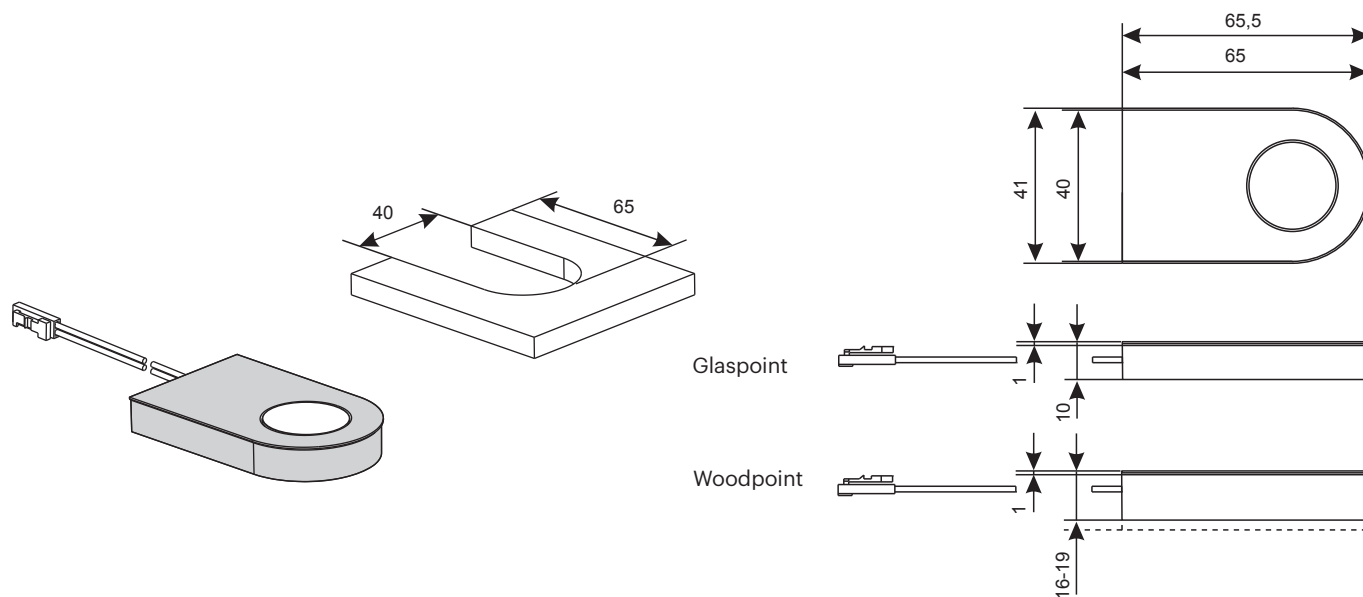
2700-6500 K





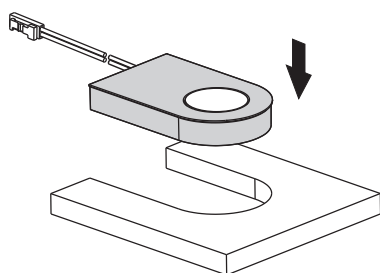
Glaspoint Emotion	Color Temperature (K)	Power (W)	Color	Ref.
Glaspoint Emotion	Emotion	0.8	Stainless steel finish	2000073
Woodpoint Emotion			Black	2000765
Emotion adapter cable 12 V			Stainless steel finish	2000074
				2000436

Dimensions

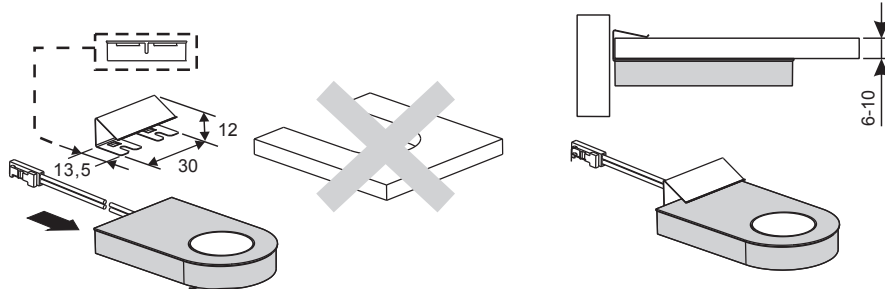


Installation

Montage A



Montage B



Emotion control systems



see chapter „Controls“ from page 174

SPOTS

Special lights.



SPECIAL LIGHTS

SPECIAL LIGHTS



SMART LINEAR



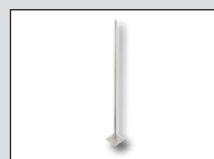
SPACE LIGHT



LEGIS

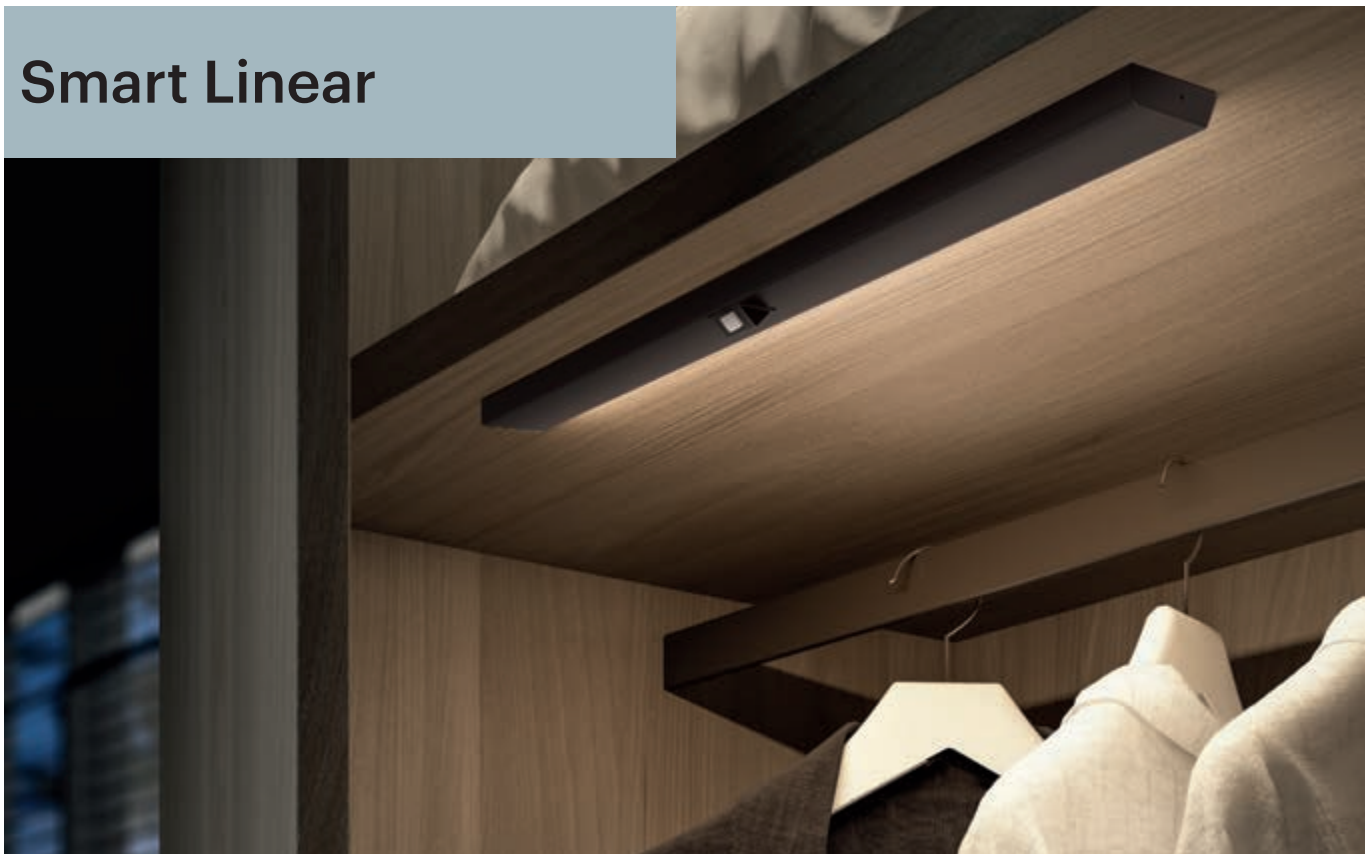


AREA LIGHT



KALA

Smart Linear



- Battery-operated LED surface-mounted light with motion sensor
- ON/OFF switch
- The light is switched on simply by a hand movement
- Equipped with a high quality lithium-ion battery, no cables necessary
- Magnetic installation
- Approx. 45 sec run-on time

Smart Linear

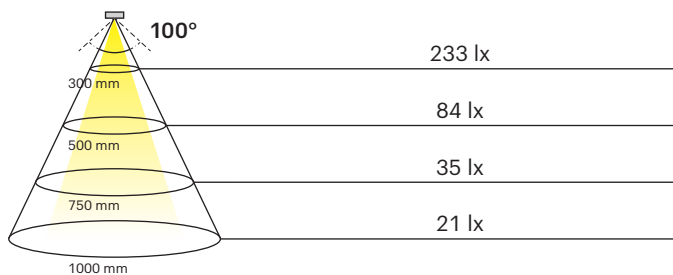


Luminous flux:	50 lm
Light efficacy:	50 lm/W
Material:	Metal
IP protection class:	IP20
Connection cable:	-
Connection:	Micro USB - AC 100-240 V, 0.3 A, USB/Micro USB cable (not included) or commercially available smartphone charger with micro USB connection

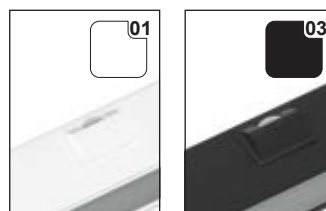
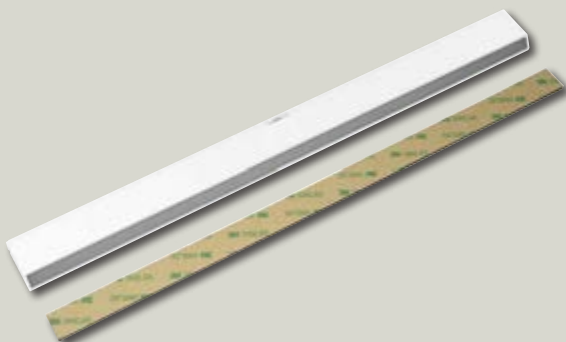
Photometrics

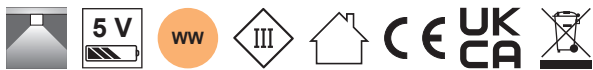
CRI >80

3000 K



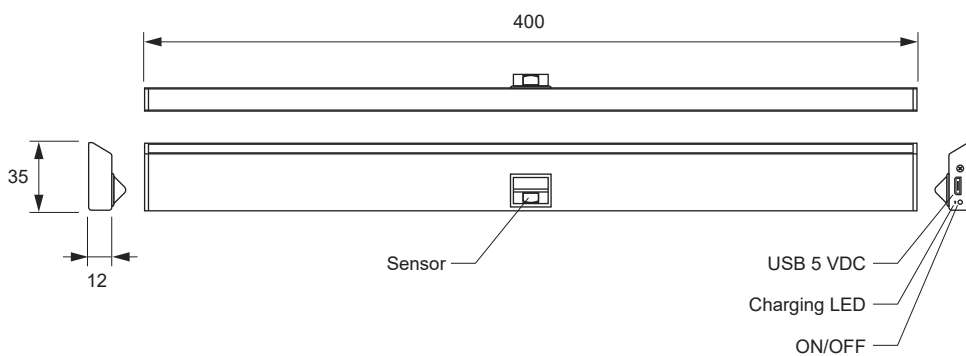
SPECIAL LIGHTS



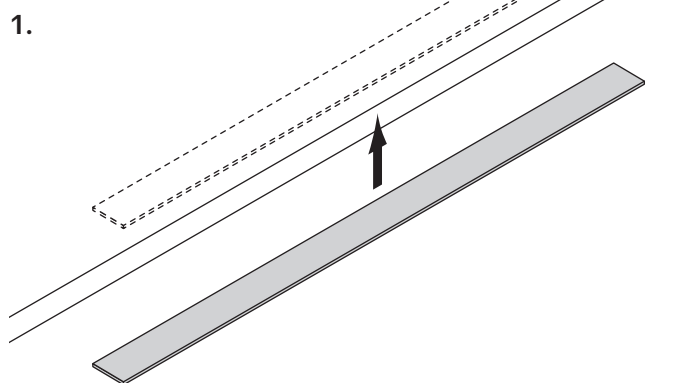


Smart Linear	Color Temperature (K)	Power (W)	Color	Ref.
Smart Linear	Warm white	1.0	White	2000543
			Black	2000690

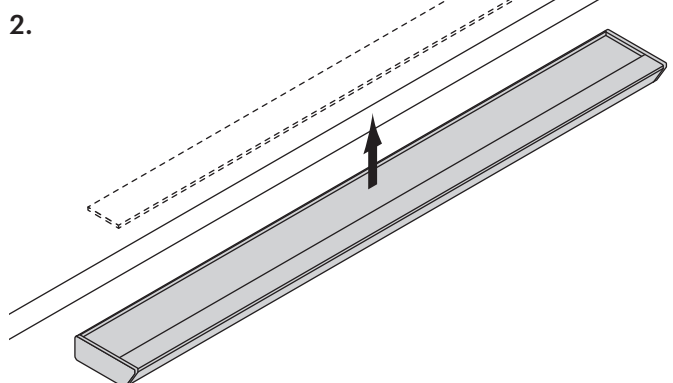
Dimensions



Installation



Connection

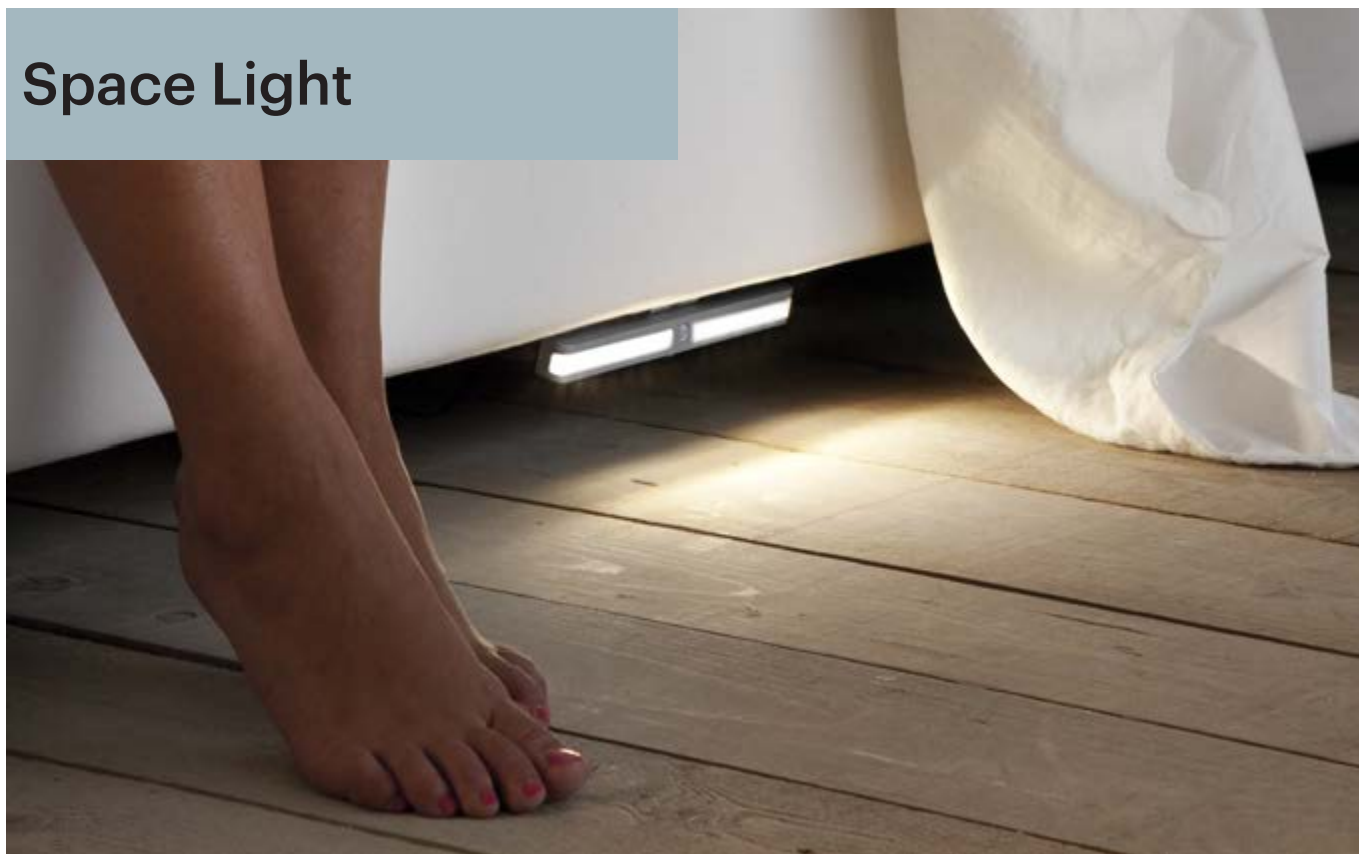


Accessories



Accessories	Ref.
Plug-in power supply	2000079

Space Light



- Surface-mounted luminaire with integrated motion detector
- Swiveling attachment
- Approx. 20 sec - 5:20 min. Run-on time

Space Light

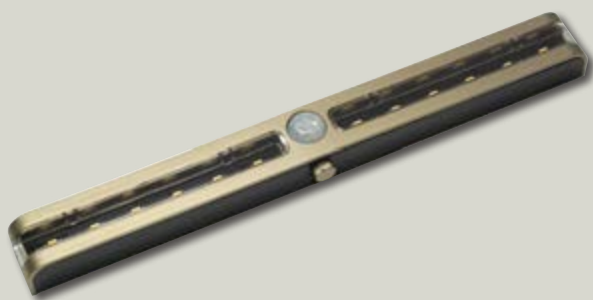
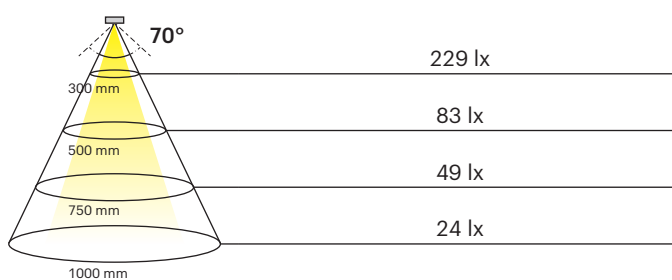
Luminous flux:	73 lm
Light efficacy:	81.30 lm/W
Number of LEDs:	12
Material:	Plastic
IP protection class:	IP20
Connection cable:	1800 mm
Energy efficiency class:	E



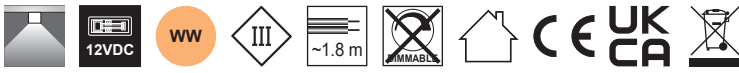
Photometrics

CRI >80

3000 K

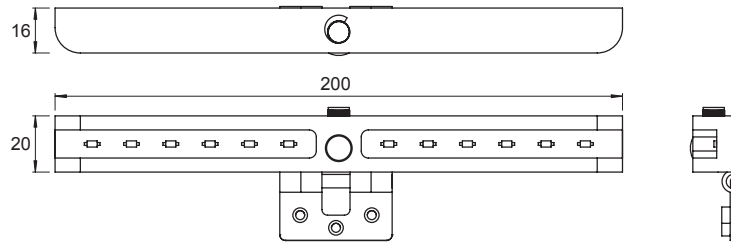


SPECIAL LIGHTS

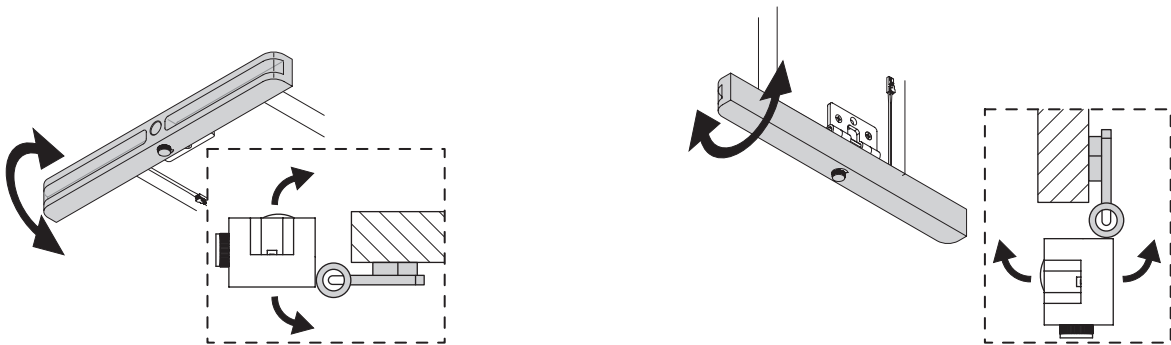


Space Light	Color Temperature (K)	Power (W)	Color	Ref.
Single light	Warm white	0.9	Stainless steel finish	2000177
Set of 1				2000178
Set of 2		1.8		2000179

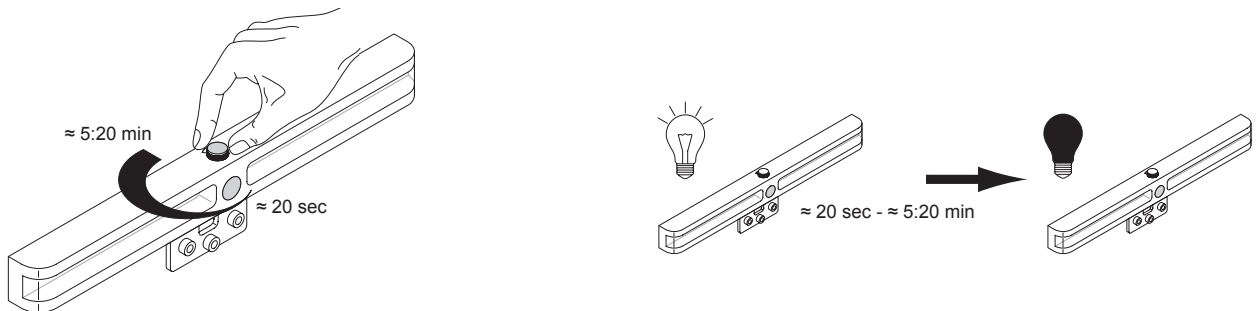
Dimensions



Installation



Function



Control systems



see chapter „Controls“ from page 174

SPECIAL LIGHTS

Legis



- Bed reading lamp
- Screw-on housing with cable routing up, down or to the rear
- Gooseneck lamp arm
- Available as set of 1 with plug-in power supply unit or as set of 2 incl. LED converter
- Integrated USB charging socket 1A, DC 5 V

Legis

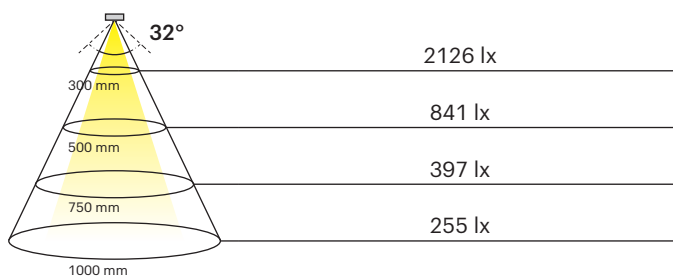
Luminous flux:	97 lm
Light efficacy:	81.00 lm/W
Number of LEDs:	1
Material:	Metal/Plastic
IP protection class:	IP20
Connection cable:	1800 mm
Energy efficiency class:	F



Photometrics

CRI >80

3000 K

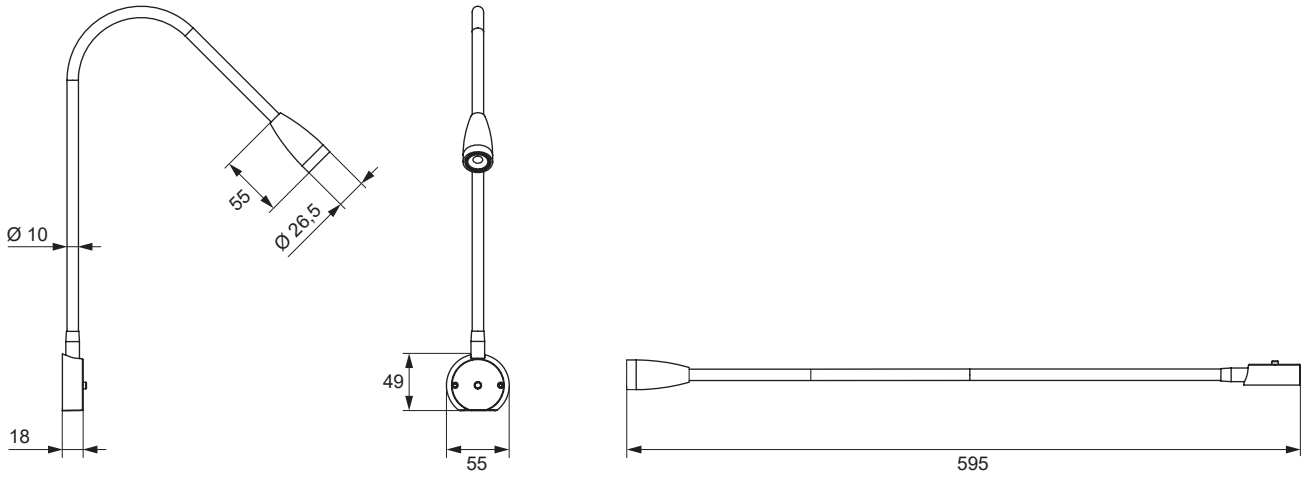


SPECIAL LIGHTS

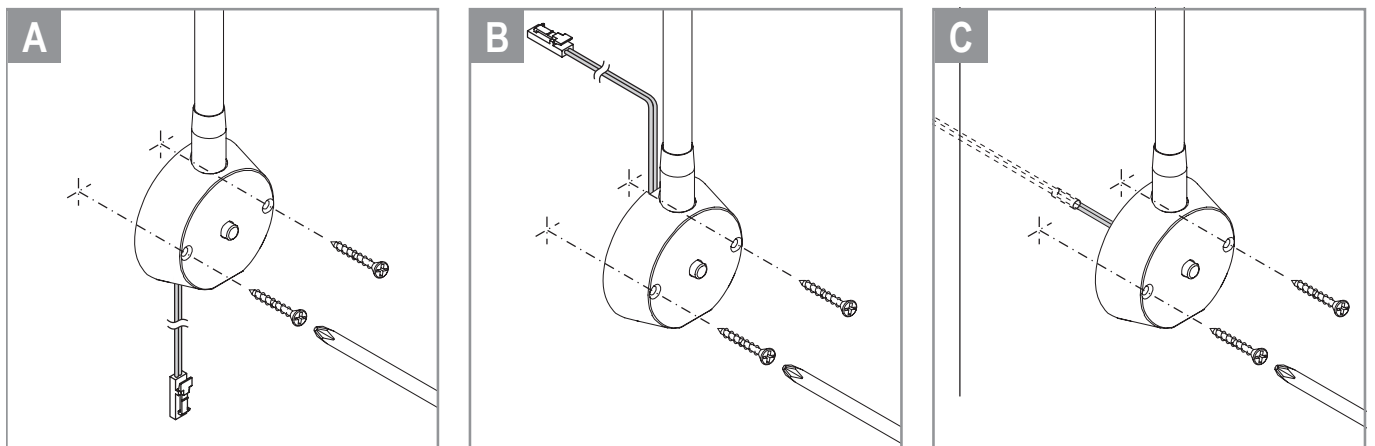


Legis	Color temperature	Power (W)	Color	Ref.
Set of 1	Warm white	1.2	Aluminum finish	2000186
			Black	2000975
Set of 2		2x 1.2	Aluminum finish	2000187

Dimensions



Installation



SPECIAL LIGHTS

Area Light



- Design bed reading lamp
- Flexible light arm
- Three dimming levels
- Available as a single lamp or as a set including plug-in power supply

Area Light

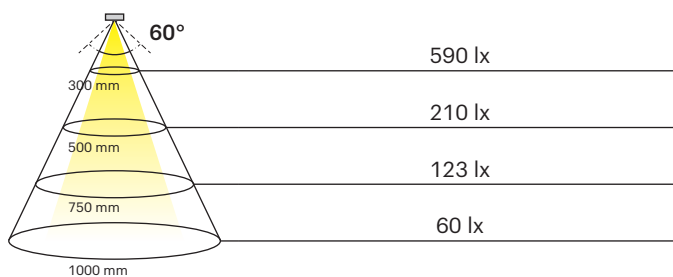
Luminous flux:	183 lm
Light efficacy:	91.50 lm/W
Number of LEDs:	30
Material:	Plastic
IP protection class:	IP20
Connection cable:	1800 mm
Energy efficiency class:	E



Photometrics

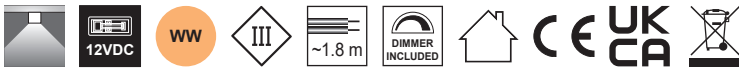
CRI >80

3000 K



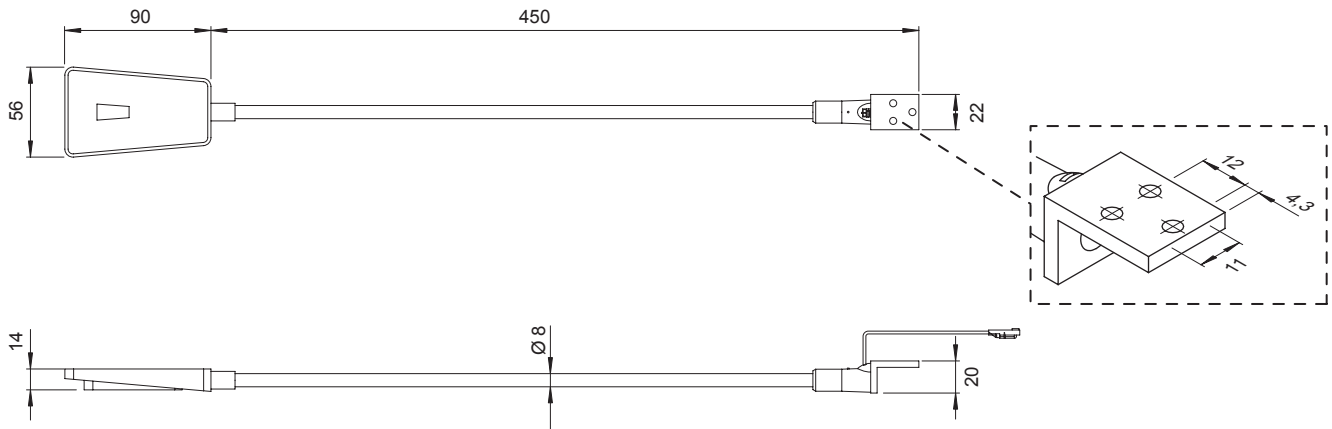
SPECIAL LIGHTS



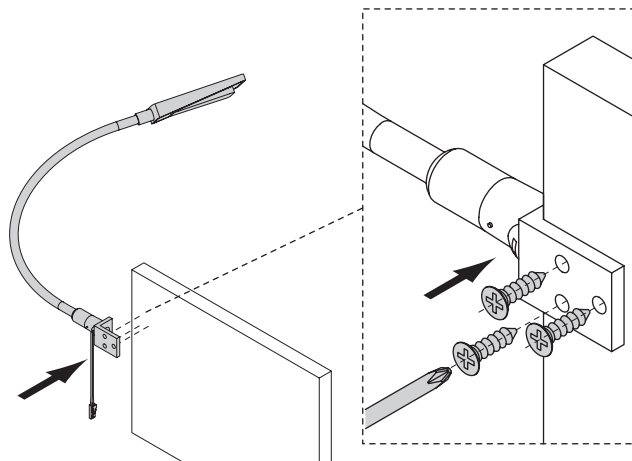


Area Light	Color Temperature (K)	Power (W)	Color	Ref.
Single light	Warm white	2.0	Black	2000180
			White	2000181
Set of 1			Black	2000182
			White	2000183
Set of 2		2x 2.0	Black	2000184
			White	2000185

Dimensions



Installation



Control systems



see chapter „Controls“ from page 174

Floor Lamp Kala



- Slim floor lamp with plug-in power supply
- For living/dining area
- LED converter and light control in base
- Horizontal light emission
- Can be combined with the Frankfurt control system, integration in Zigbee networks (e.g. Alexa) possible
- Dimmable with continuously adjustable color temperature using Emotion technology

Floor lamp Kala

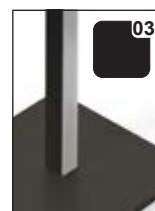
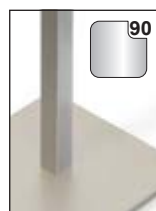
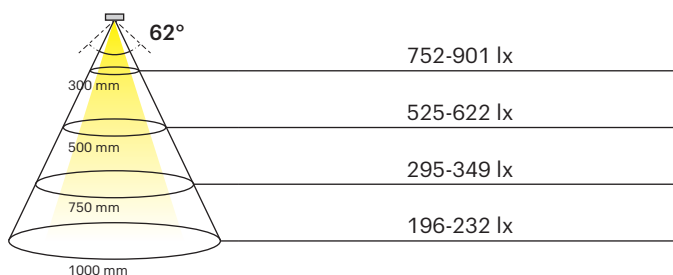
Luminous flux:	990 lm/m
Light efficacy:	80.00 lm/W
Number of LEDs:	120+120 /m
Material:	Aluminum
IP protection class:	IP20
Connection cable:	1850 mm
Energy efficiency class:	G
Start color:	Warm white



Photometrics

CRI 93

2700-6500 K

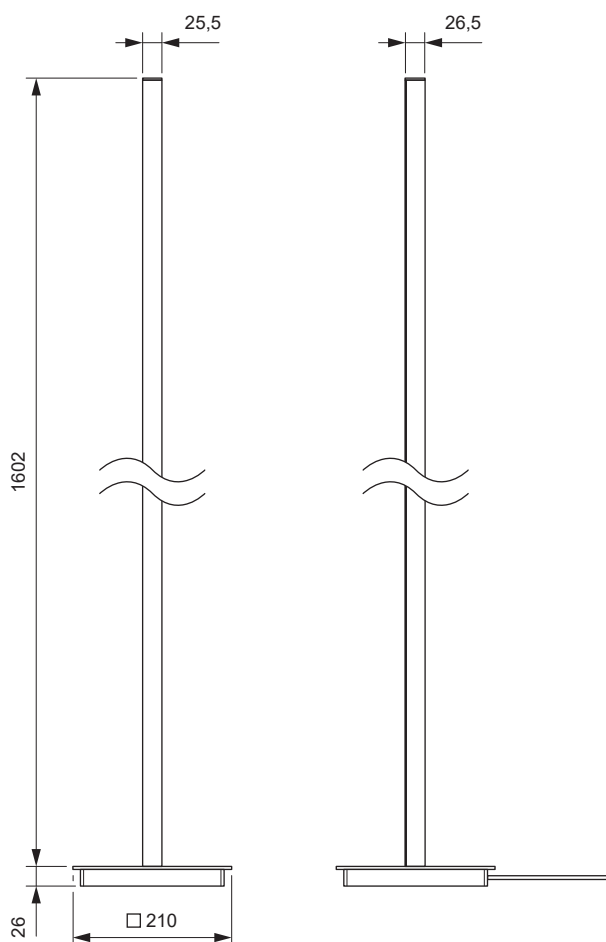


SPECIAL LIGHTS



Floor Lamp Kala	Color temperature	Power (W)	Color	Ref.
Floor lamp Kala	Emotion	24.8	Stainless steel	2000873
			Black	2000874

Dimensions



Accessories



Remote controls	Color	Ref.
1 2	White	2000374
	Black	2000375
3	White	2000292
4	White	2000698
5	Silver	2000668

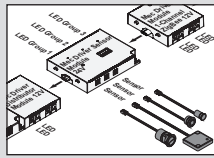
SPECIAL LIGHTS

Controls.



CONTROLS

OVERVIEW

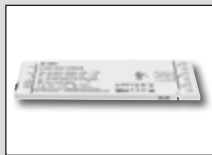


176
**LIGHT CONTROL
OVERVIEW**

**CONTROL
SYSTEMS**



182
MEC DRIVER

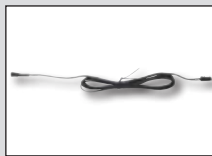


196
**FRANKFURT
SERIES**

LED CONVERTERS



210
12 V CONVERTERS



211
**CONN. CORDS/
DISTRIBUTORS 12 V**



212
24 V CONVERTERS



213
**CONN. CORDS/
DISTRIBUTORS 24 V**



226
**DIMMABLE
CONVERTERS**

**SWITCHES AND
SENSORS**



214
**EMOTION
SWITCHES AND
SENSORS**



218
**SINGLE COLOR
SWITCHES AND
SENSORS**



225
**TUDO TOUCH
DIMMER**

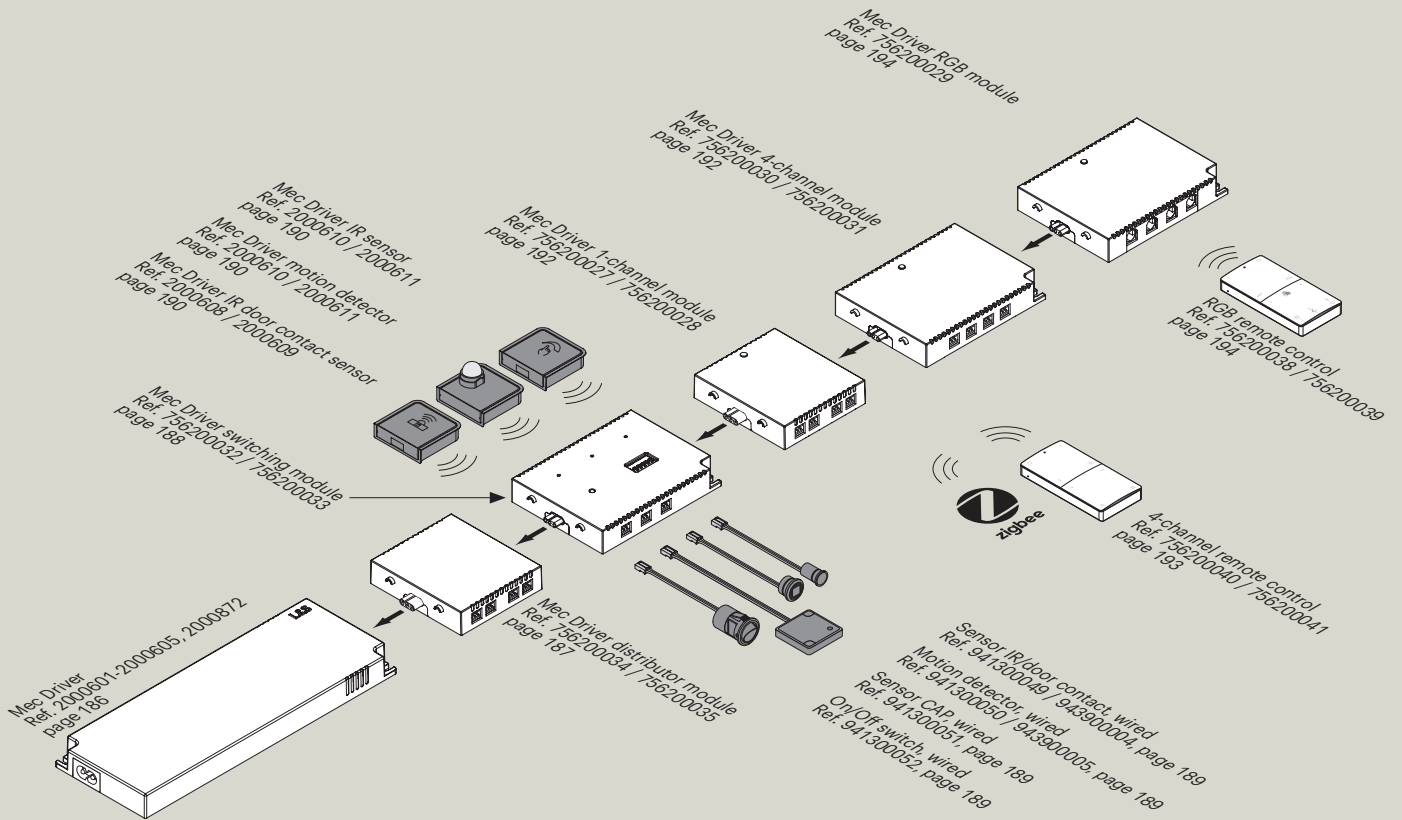


228
DALI DIMMER

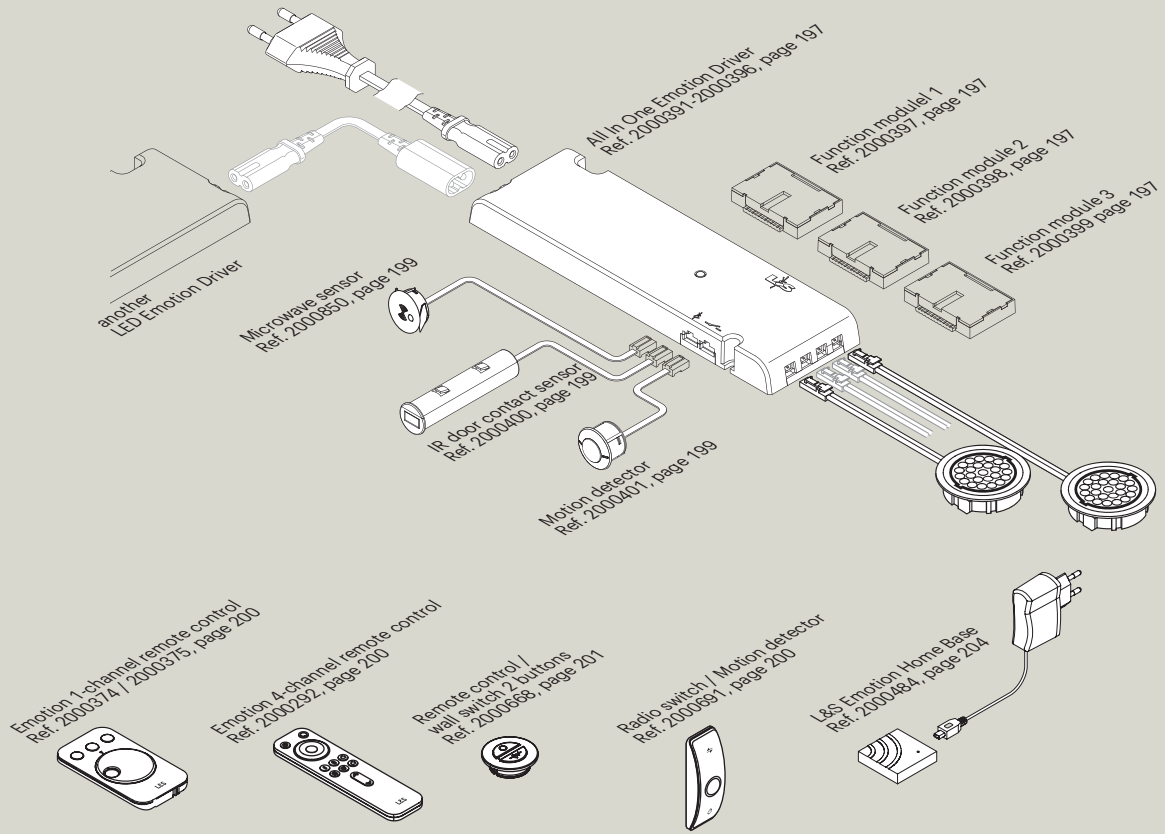


230
**HV SWITCHING
TECHNOLOGY**

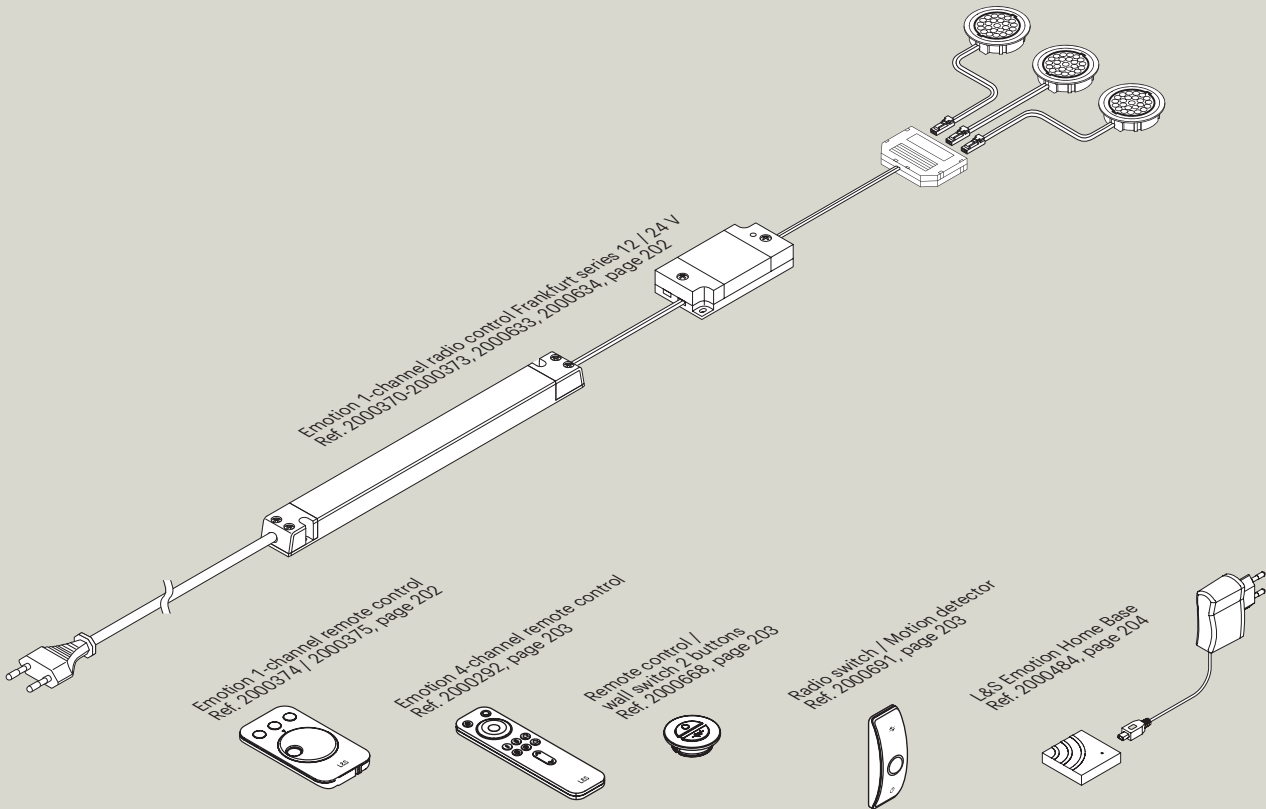
Mec Driver



Frankfurt series Emotion Driver

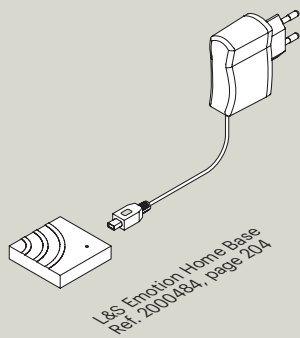


Frankfurt series Emotion 1-channel radio control

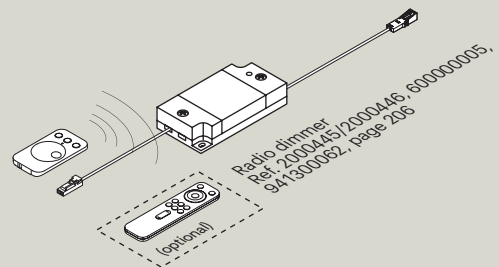


CONTROLS

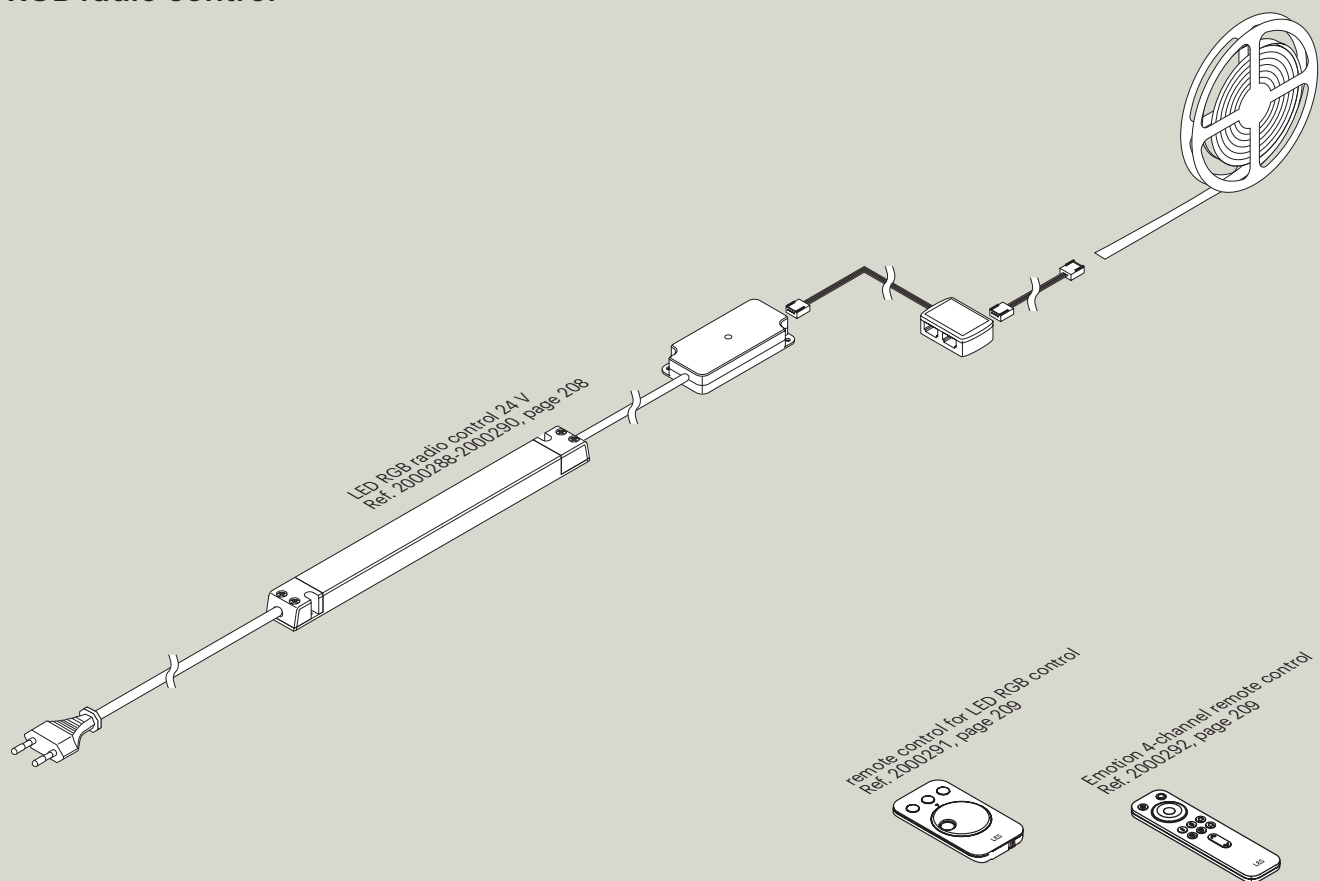
Frankfurt series
Emotion Home Base



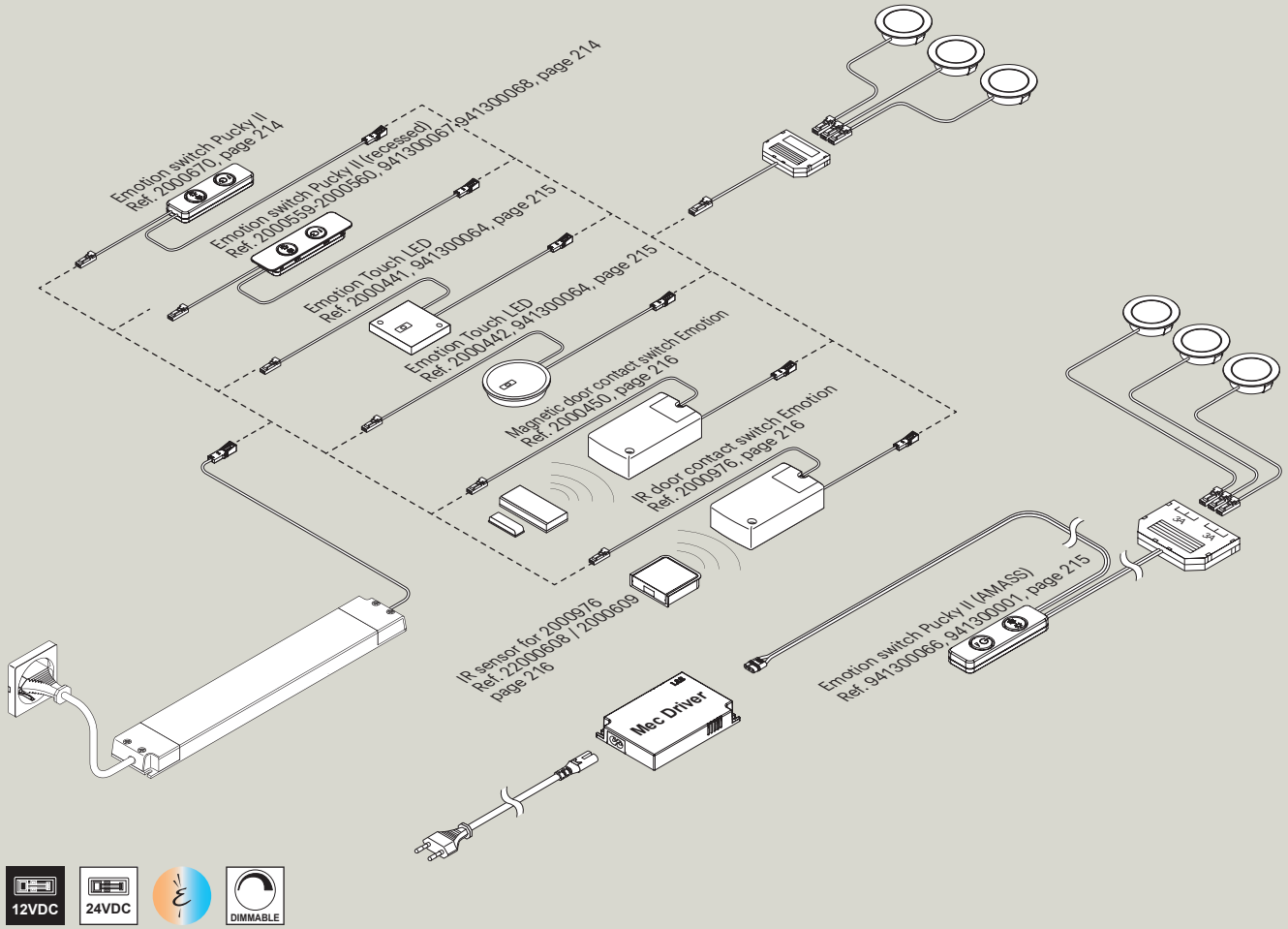
Frankfurt series
Radio dimmer



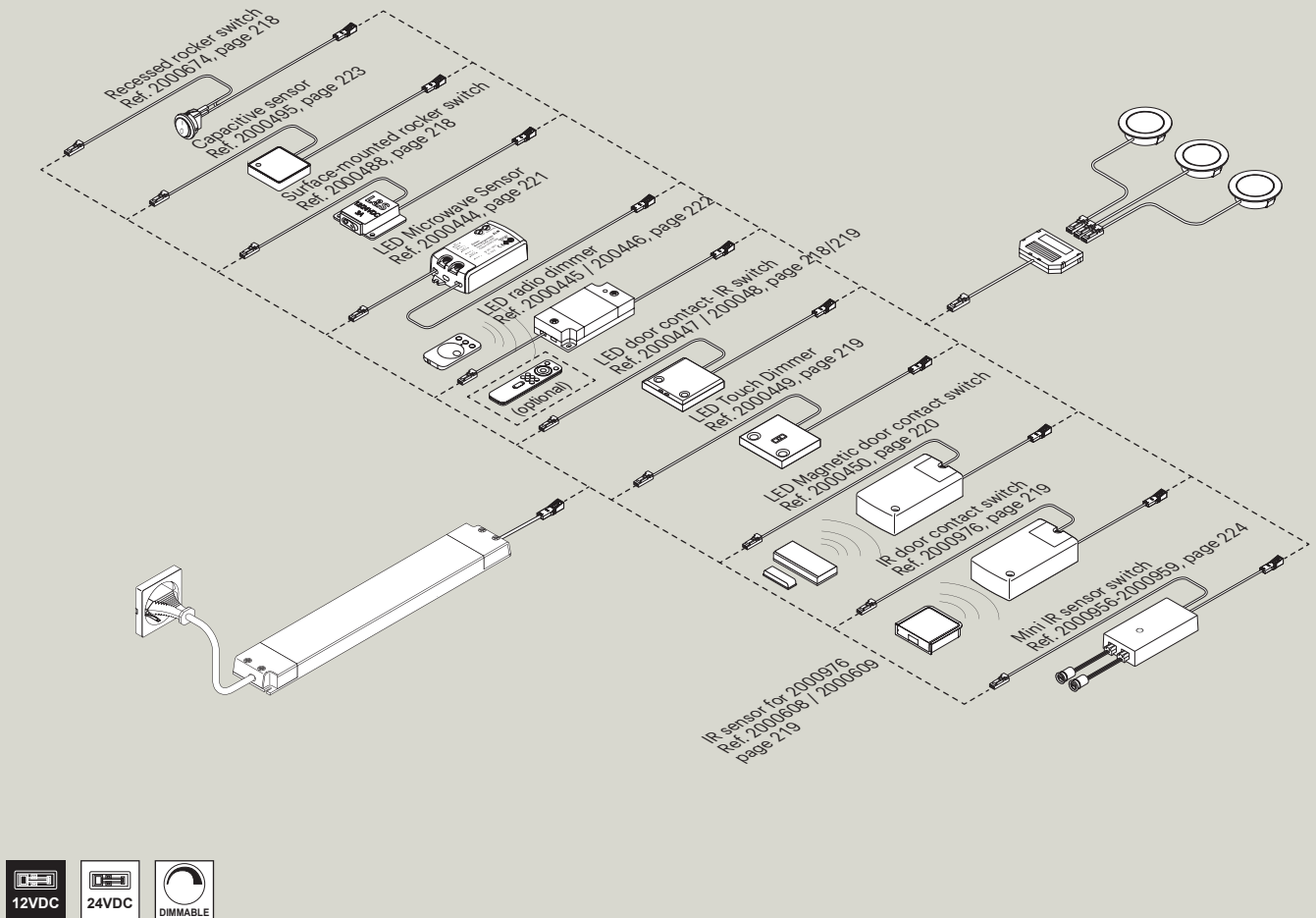
Frankfurt series
RGB radio control



Switching technology Emotion

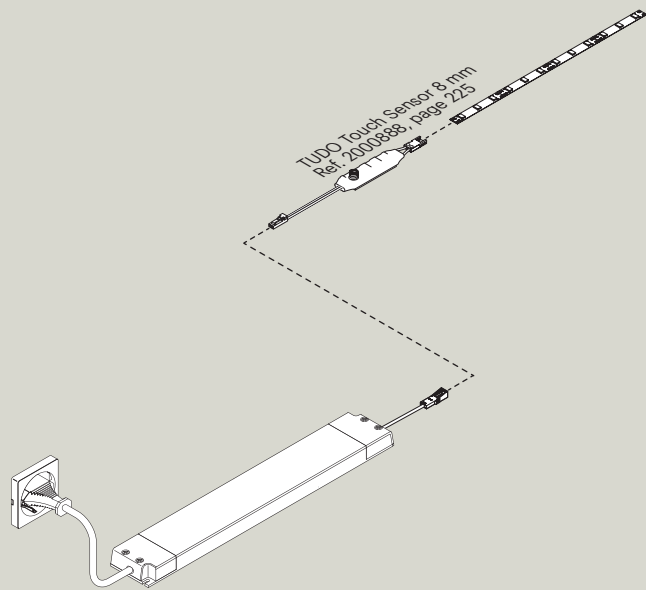


Switching technology single color

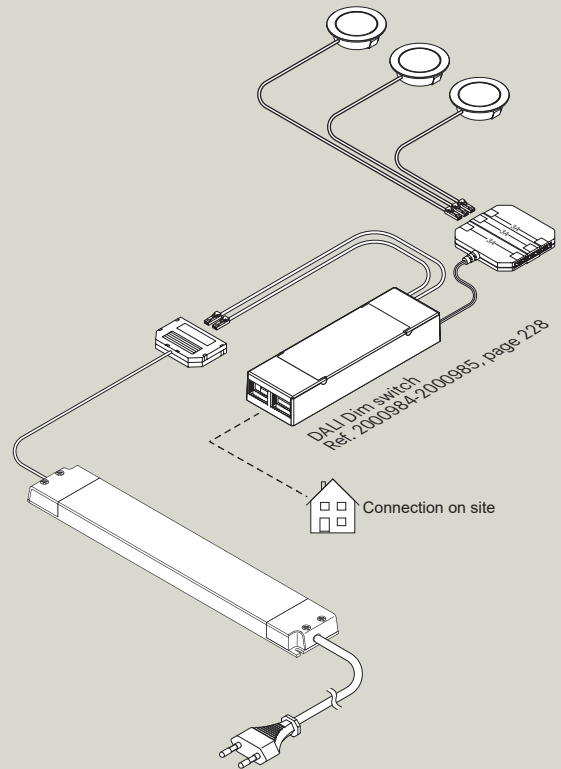


CONTROLS

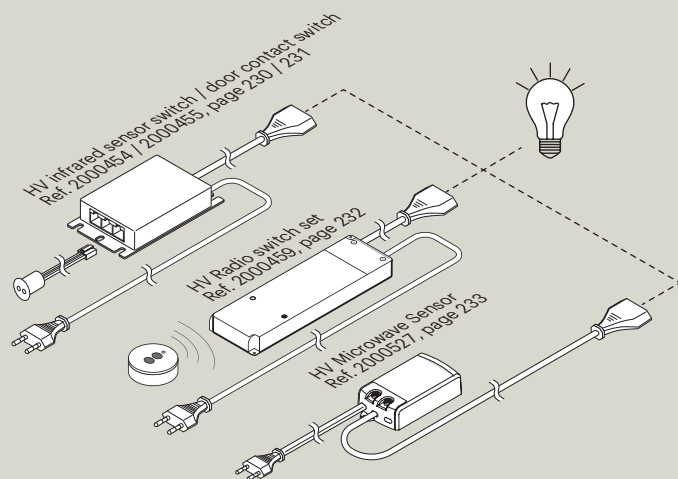
Tudo Touch Sensor



DALI Dim switch



Switching technology high voltage





MEC DRIVER

Modular control system.
More possibilities.

ONE DRIVER, INFINITE SOLUTIONS

MEC DRIVER REVOLUTIONISES THE WORLD OF LED LIGHTING

It is now possible to build a modular power supply system for lighting and home automation, ready and certified for almost every market in the world.

The core of the system is the new multi-voltage power supply available in 6 different wattages (18, 36, 48, 60-72, 90, 120 W) and modular with all major sockets. Modules can be connected to it to remotely control all lighting, sound and home automation functions.

This provides a complete control solution with a small footprint.

ALWAYS THE BEST COMBINATION

BOTH DC 12 V AND DC 24 V



Operates on both DC 12 V and DC 24 V

4

types of modules available

V

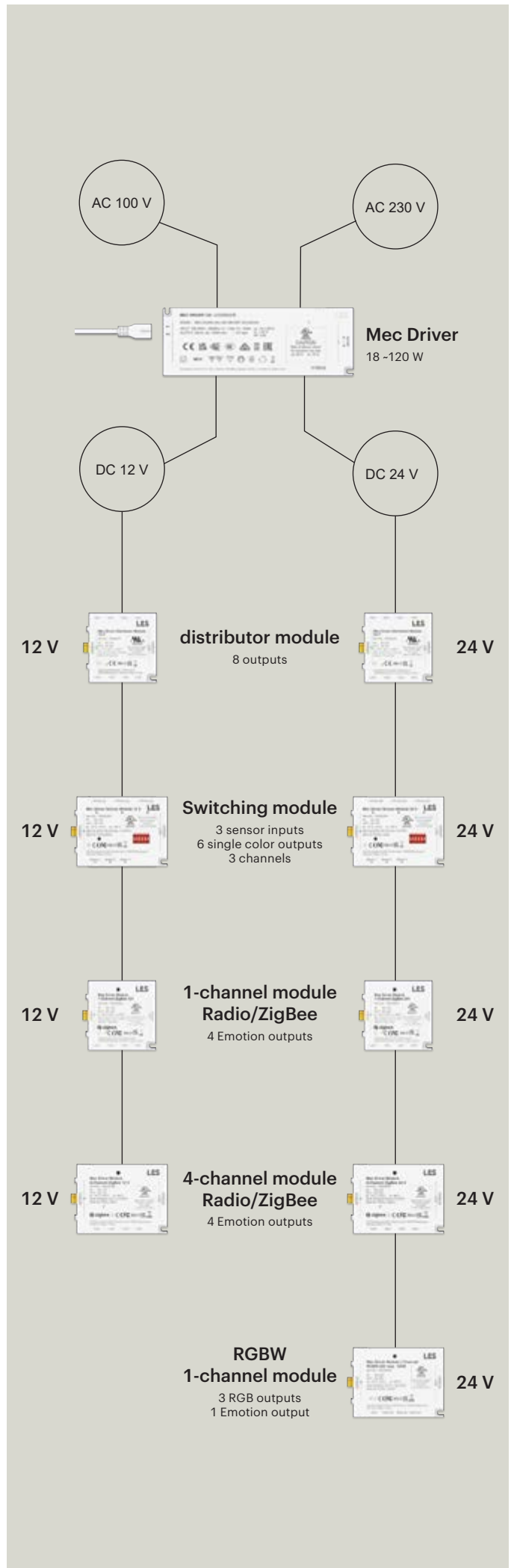
Multi voltage
Input: AC 100 / 230 V
Output: DC12 V / DC 24 V



International certificates



Remote control via ZigBee, radio frequency (R.F.) or wired sensors



CONTROLS

Configuration examples

STANDARD

Mec Driver + Distributor module

The power supply unit is connected to the mains using the connection cable. Combined with a distribution module, up to 8 lights can be connected.

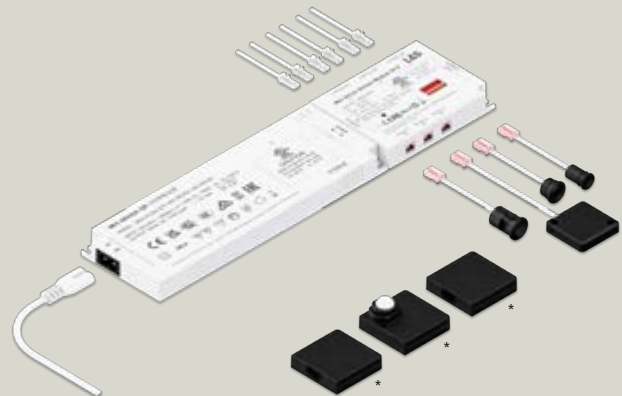


SWITCHING OF LUMINAIRES VIA SENSORS

Mec Driver + Switching module

The power supply unit is connected to the mains using the connection cable. Combined with the switching module, up to three luminaire groups can be controlled via wired and/or wireless sensors.

For single-color and Emotion luminaires.
Emotion color temperature adjustable on the module



EMOTION CONTROL WITH SMART HOME CONNECTION

Mec Driver + ZigBee Module

The power supply unit is connected to the mains using the connection cable. Combined with a ZigBee function module, up to four lights can be connected and controlled via remote control, ZigBee network or Smart Home (e.g. Alexa¹ / Hue²). If you use the 4-channel module, four groups of lights can be controlled separately.

For single-color and Emotion luminaires.



RGB AND EMOTION CONTROL

Mec Driver + RGBW Module

The power supply unit is connected to the mains using the connection cable. Combined with the RGBW function module, up to three RGB luminaires can be connected and controlled by remote control.

An output for Emotion luminaires is also integrated and can be controlled via the remote control.



¹ Amazon Echo and Amazon Alexa are registered trademarks of Amazon.com, Inc.

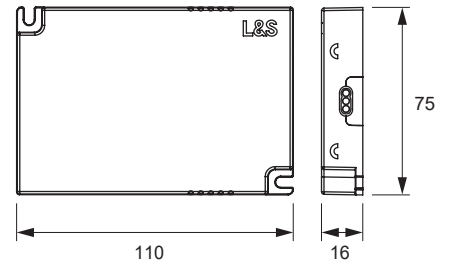
² Philips Hue is a registered trademark of Signify N.V.

Mec Driver

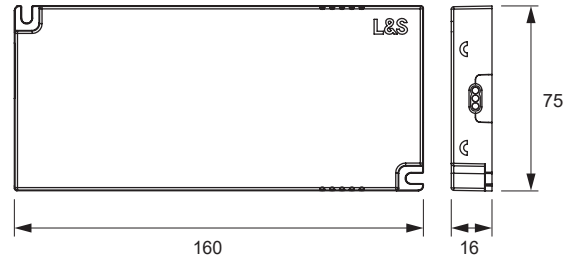


Dimensions

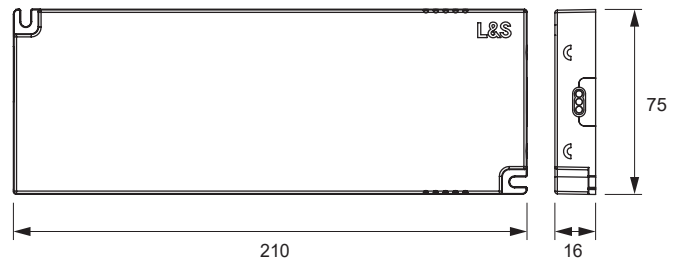
18 W



36 W / 48 W



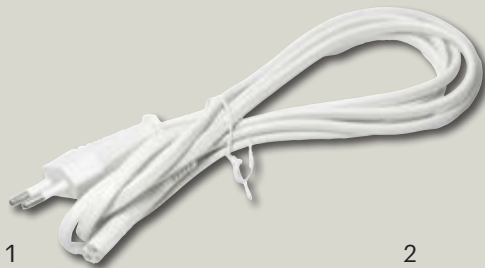
60-72 W / 90 W / 120 W



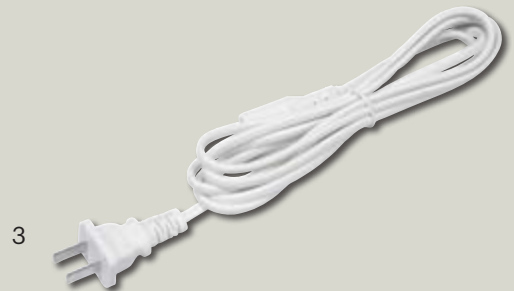
Input voltage:	AC 100-240 V
Output voltage:	DC 12 & 24 V
Power:	18 W / 36 W / 48 W / 60-72 W / 90 W / 120 W
Connection:	pri.: Plug type C8 sec.: Amass MR30-M
Color:	White

Mec Driver	Voltage (V)	Power (W)	Ref.
Mec Driver LED Converter	DC 12 / DC 24	18	2000601
		36	2000602
		48	2000603
	DC 24	60 / 72	2000604
		90	2000605
		120	2000872

Mec Driver Connection cable



no image



Operation voltage:	AC 100-240 V
Max. current:	Max. 2,5 A
Connection:	pri.: Plug type C sec.: Socket type C7
Color:	White

Power cables	Length (mm)	Ref.
1 EU version (type C)	2000	2000402
2 GB version (type G)		910300004
3 US version (type A)		910300005

Mec Driver distributor module



- Distributor module without control function
- Connection directly to the Mec Driver
- 8 LED outputs
- Max. 3 A per output, 5 A overall*
- 12 V an 24 V modules can be combined

LED output: Mini LED Socket
Color: White

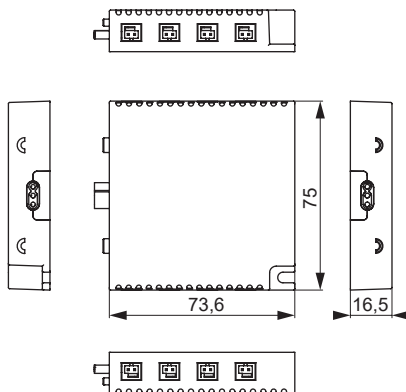
Mec Driver connection cable



Operation voltage: DC 12 & 24 V
Max. current: 5 A
Connection: Primary: Amass MR30-FB
Secondary: Amass MR30-M

Mec Driver connection cable	Length (mm)	Ref.
Connection cable 2x AMASS	100	940600484
	500	940600485
	1000	940600486

Dimensions



Mec Driver distributor module	Voltage (V)	Outputs	Ref.
Mec Driver distributor module	DC 12	8 LED	756200034
	DC 24		756200035

* 3 A = 12 V: max. 36W, 24 V: max. 72 W

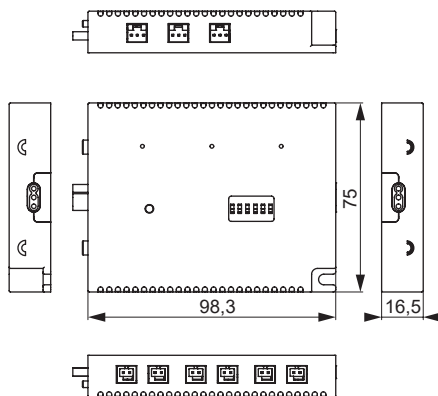
Mec Driver switching module



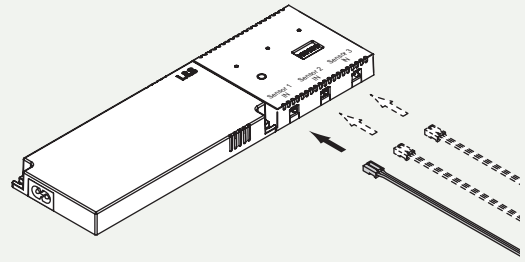
- Control via wired and/or wireless sensors (IR, capacitive or motion detector)
- 3 luminaire groups with two LED outputs each
- Max. 3 A per output, max. 5 A overall*
- Group switching (3 groups), or switching, cross switching of LED outputs
- Light color adjustable via DIP switch (Emotion luminaire required)

Radio frequency:	2.4 GHz
Number of channels:	3
LED output:	3x2 Mini LED socket
Sensor input:	3x HX plug
Color:	White

Dimensions

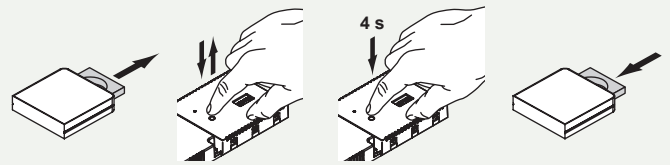


Connection of wired sensors

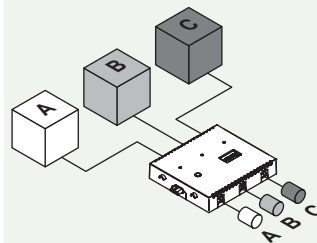


Connection of radio sensors

1. Open the battery compartment of the sensor.
2. Briefly press the button to choose group. Then press the button for approx. 4 seconds to activate teach-in mode.
3. Close the battery compartment of the sensor. The sensor is now ready for use.

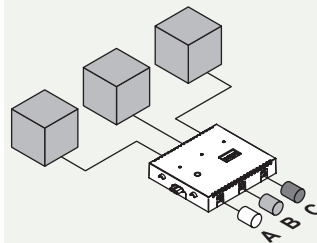


Function modes



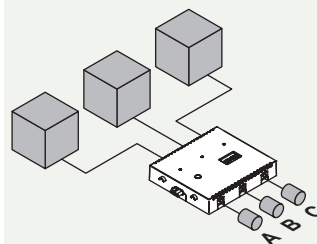
Group circuit
Each lighting group is switched and dimmed via the corresponding sensor.

Suitable for:
IR sensor
Door contact switch
Motion detector
Rocker switch
CAP sensor



Or circuit
All luminaire groups are switched together, regardless of which sensor is actuated.

Suitable for:
Door contact switch
Motion detector
Rocker switch
CAP sensor



Cross circuit
All luminaire groups are switched together. Each sensor can switch and dim.

Suitable for:
IR sensor
Rocker switch
CAP sensor

Mec Driver function module	Voltage (V)	Outputs	Ref.
Switching module 12 V	DC 12	6 LED/ 3 Sensor	756200032
	DC 24		756200033

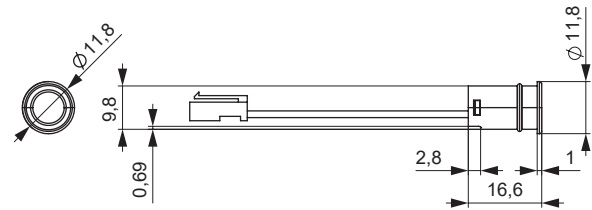
Sensor IR/door contact, wired



Functions: Use with the Mec Driver switching module
Dimming or door contact function, depending on the setting of the function module
Setting the run-on time via the function module
Max. range 50 mm

Cable length: 2000 mm

Dimensions



Mec Driver sensor	Color	Ref.
1 Sensor IR/door contact, wired	Black	941300049
2 Mounting housing		943900004

Motion detector, wired

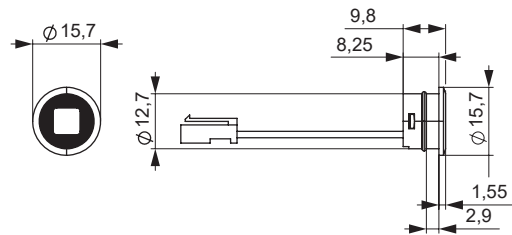


Functions: Use with the Mec Driver switching module
Setting the run-on time via the function module
Max range 3 m

Cable length: 2000 mm

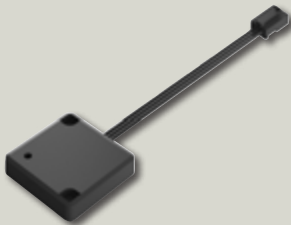
Color: Black

Dimensions



Mec Driver sensor	Color	Ref.
Motion detector, wired	Black	941300050
Mounting housing		943900005

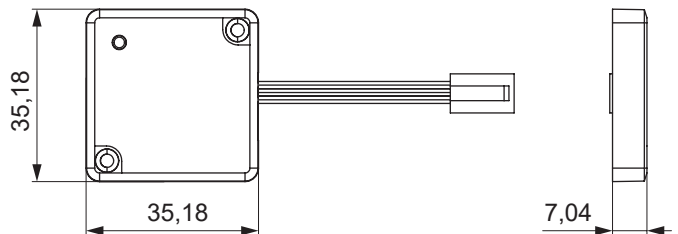
Sensor CAP, wired



Functions: Use with the Mec Driver switching module
Invisible to install behind glass or wooden surfaces w. max. 30 mm thickness

Cable length: 2000 mm

Dimensions



Mec Driver sensor	Color	Ref.
Sensor CAP, wired	Black	941300051

Switch ON/OFF, wired

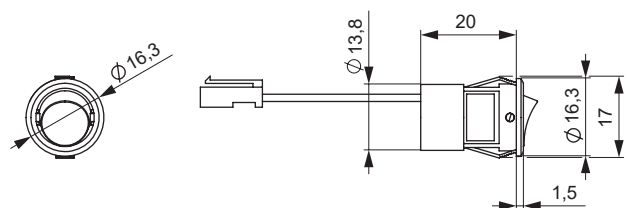


Functions: ON/OFF switch for the Mec Driver switching module

Cable length: 2000 mm

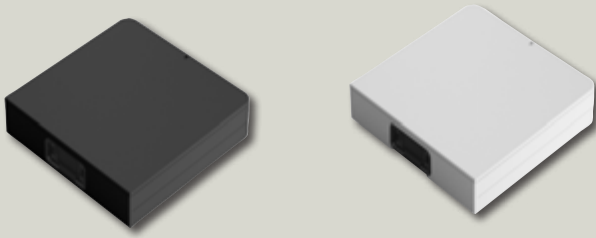
Color: Black

Dimensions



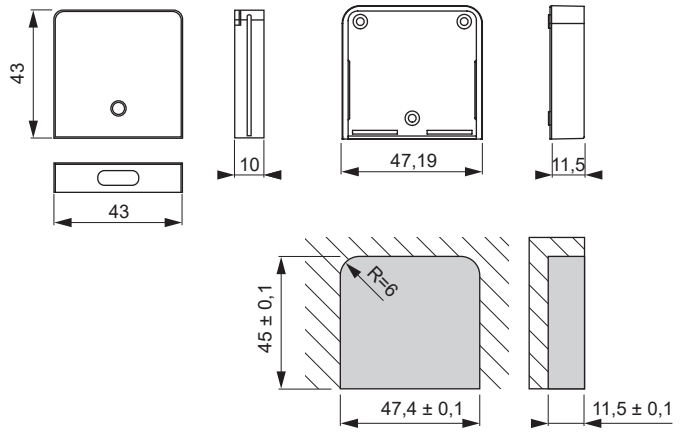
Mec Driver switch	Color	Ref.
Switch ON/OFF, wired	Black	941300052

Mec Driver IR-Sensor On/Off Dimmer



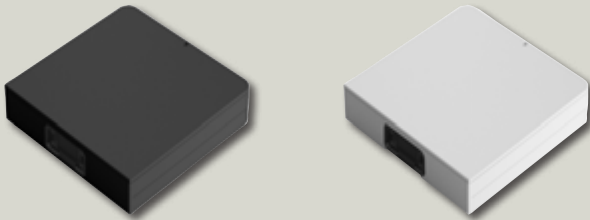
- Product features:**
- Wireless IR sensor
 - Battery operated CR2450
 - Optionally as surface-mounted or recessed version
 - Max. range approx. 6 m
 - 49x46x12.5 mm including mounting case, installation dimensions 47.4x45x11.5 mm
- Functions:**
- ON/OFF by short touch
 - Dimming by long touch

Dimensions



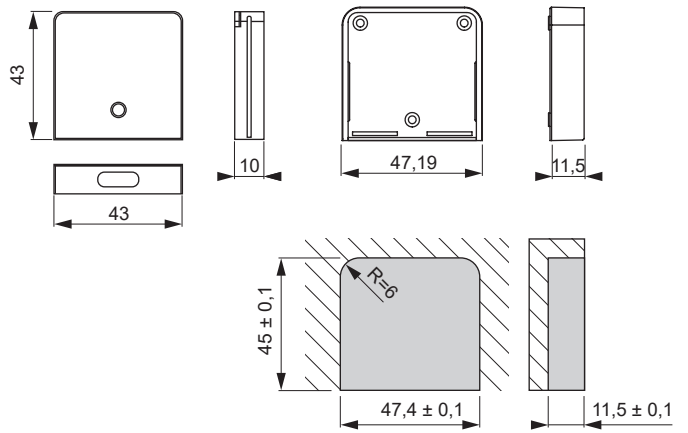
Mec Driver sensor	Color	Ref.
IR-Sensor On/Off Dimmer	Black	2000606
	White	2000607

Mec Driver IR-Sensor door contact



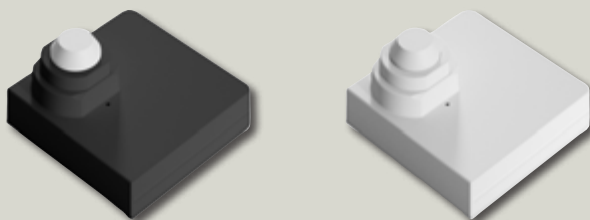
- Product features:**
- Wireless IR sensor
 - Battery operated CR2450
 - Optionally as surface-mounted or recessed version
 - Max. range approx. 6 m
 - 49x46x12.5 mm including mounting case, installation dimensions 47.4x45x11.5 mm
 - Installation dimensions 47.4x45x11.5 mm
- Functions:**
- Light ON/OFF by contact. Automatic switch-off when door is open (time setting via function module)

Dimensions



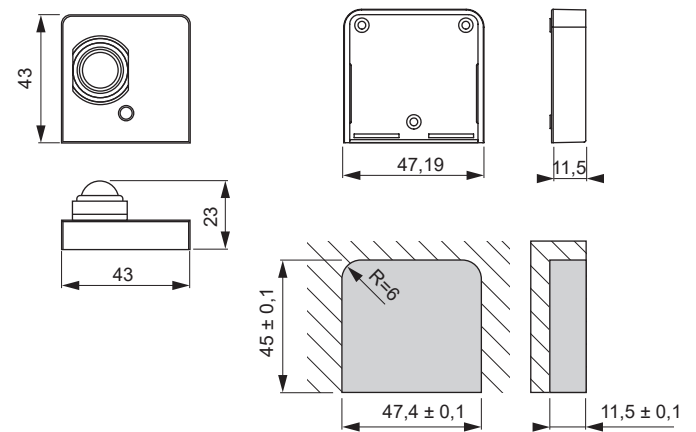
Mec Driver sensor	Color	Ref.
IR-Sensor door contact	Black	2000608
	White	2000609

Mec Driver motion detector



- Product features:**
- Wireless motion detector
 - Battery operated CR2454
 - Optionally as surface-mounted or recessed version
 - Detection angle approx. 80°
 - Detection distance: max. 3000 mm
 - 49x46x14.5 mm incl. mounting case, Installation dimensions 47.4x45x11.5 mm
- Functions:**
- ON/OFF by approach / movement. Run-on time adjustable via function module

Dimensions

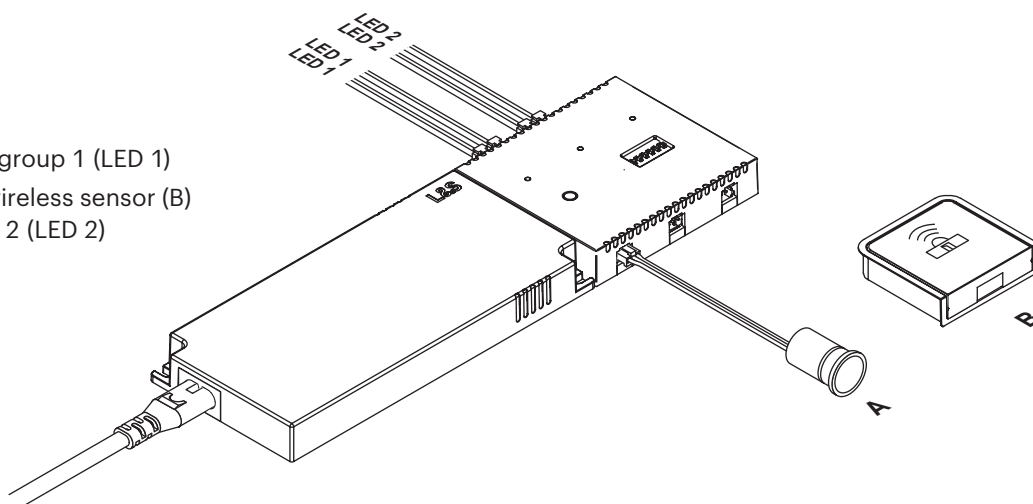


Mec Driver sensor	Color	Ref.
Motion detector	Black	2000610
	White	2000611

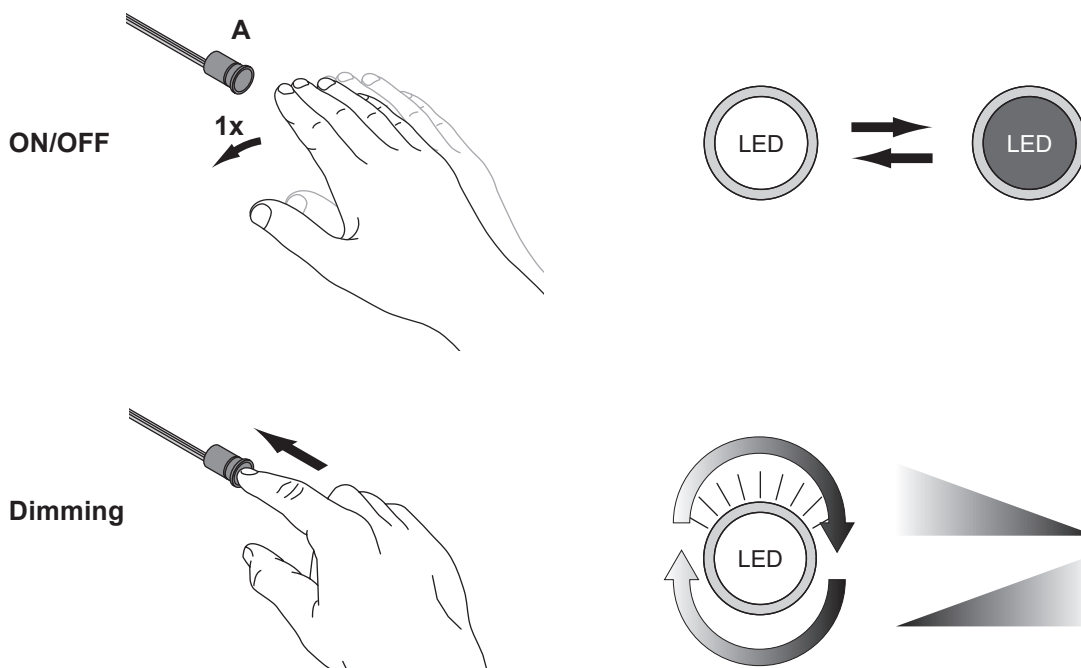
Application

Example configuration:

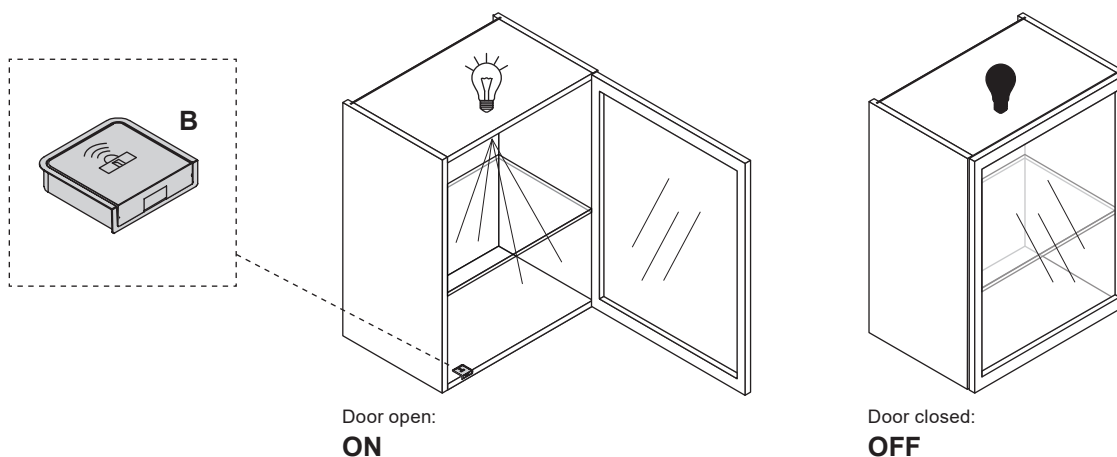
- Mec Driver
- Switching module
- IR/TK sensor, wired (A)
Slot „sensor 1”/luminaire group 1 (LED 1)
- IR sensor door contact, wireless sensor (B)
taught to luminaire group 2 (LED 2)



LED 1



LED 2



Mec Driver 1 channel module Radio/ZigBee



- Operation via remote control or Smart Home applications
- ZigBee Mesh even without Bridge (components connect to each other)
- 1 channel, 4 LED outputs
- Max. 3 A per output, max. 5 A overall*
- Easy to pair
- Switch between single color and Emotion LEDs

Radio frequency:	2.4 GHz
Number of channels:	1
LED output:	Mini LED Socket
Sensor input:	-
Color:	White

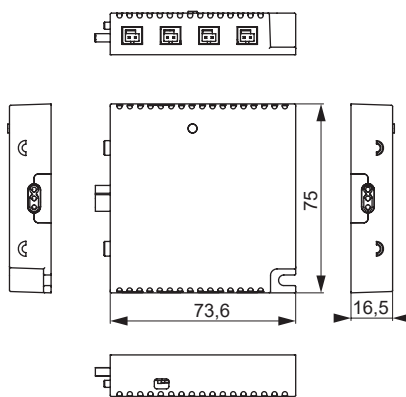
Mec Driver 4 channel module Radio/ZigBee



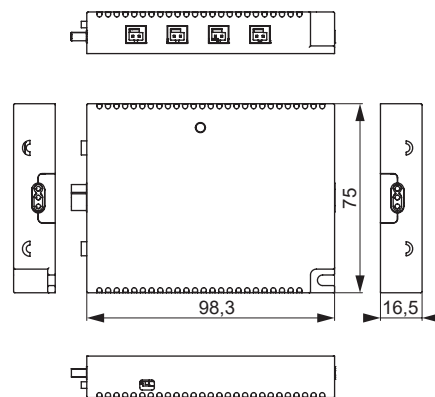
- Operation via remote control or Smart Home applications
- ZigBee Mesh even without Bridge (components connect to each other)
- 4 channels with one LED output each
- Max. 3 A per output, max. 5 A overall*
- Easy to pair
- Switch between single color and Emotion LEDs

Radio frequency:	2.4 GHz
Number of channels:	4
LED output:	Mini LED Socket
Sensor input:	-
Color:	White

Dimensions



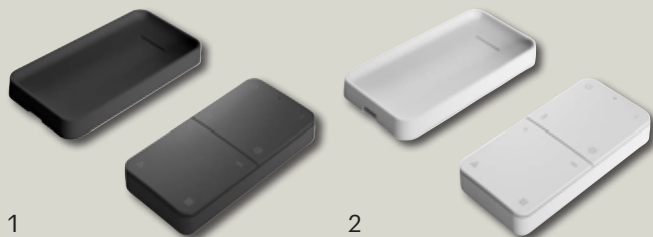
Dimensions



Mec Driver function module	Voltage (V)	Outputs	Ref.
1 channel module Radio/ZigBee	DC 12	4 LED	756200027
	DC 24		756200028

Mec Driver function module	Voltage (V)	Outputs	Ref.
4 channel module Radio/ZigBee	DC 12	4 LED	756200030
	DC 24		756200031

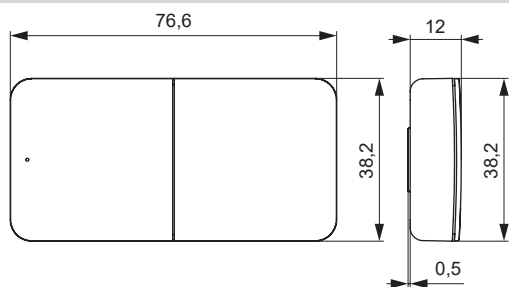
4 channel remote control



Control of Emotion luminaires via 1-channel and 4-channel module. Easy integration into existing ZigBee network.

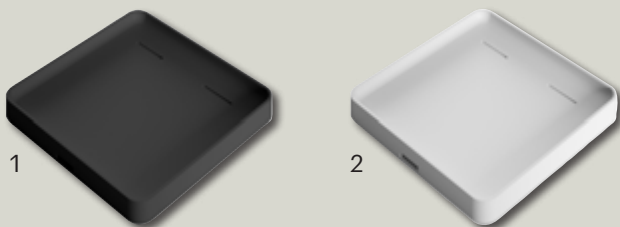
Product features:

- Remote control for the Mec Driver control system
- Emotion version for controlling Emotion LEDs
- Easy integration in Smart Home applications
- 4 channels



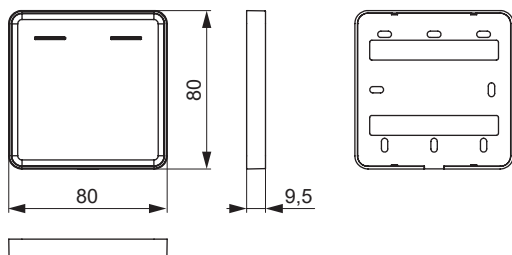
Mec Driver remote control		Color	Ref.
1	4 channel remote control	Black	756200040
2		White	756200041

Mounting housing for two Mec Driver remote controls



Product features:

- Bracket for two remote controls
- To screw-on

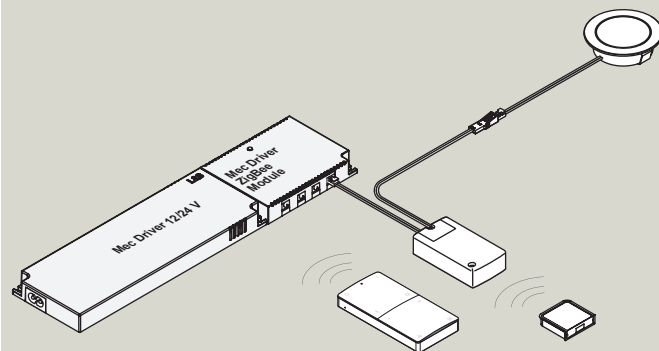


Mec Driver accessories		Color	Ref.
1	Mounting housing for two Mec Driver remote controls	Black	754000011
2		White	754000012
-	Blind cover for mounting housing	Black	754000013
		White	754000014

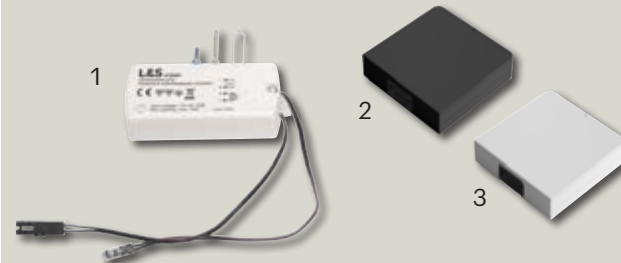
Light in the cabinet

The door contact switch shown below can be used with the 1-channel and 4-channel module.

When Emotion LEDs are used, the Emotion signal is passed on. This means that both the light color and dimming level can be individually adjusted.



IR door contact switch Emotion



Product features:

- Door contact switch for 12 or 24 Volt systems
- Single, oder sensor separately!

Operating voltage:

- DC 12 V
- DC 24 V (with connection set art. no. 2000438)

Max. power:

- 36 / 72 W

Cable length:

- pri.: 200 mm
- sec.: 200 mm

Functions

- Door contact (door open = ON, door closed = OFF)

IR door contact switch		Color	Ref.
1	IR door contact switch		2000976
2	IR sensor for door contact switch	Black	2000608
3		White	2000609

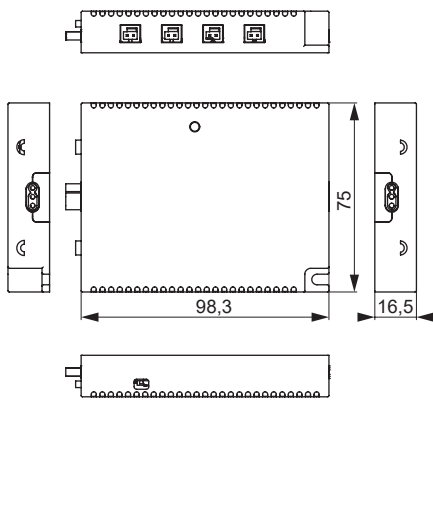
Mec Driver RGBW 1 channel module



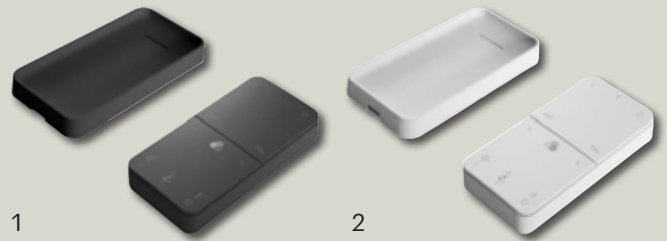
- Control of RGB and Emotion luminaires via remote control
- 3 outputs for RGB LEDs, 1 output for Emotion LEDs
- Max. 3 A per output, max. 5 A overall*
- Memory function for light color and dimming level
- Ready for operation, the remote control is already programmed
- Adapter for Emotion and RGB LEDs with square plug-in system included in the set

Radio frequency:	2.4 GHz
Number of channels:	1x RGB / 1x Emotion
LED output:	RGB: 4PIN round Emotion: Mini LED Socket
Sensor input:	-
Color:	White

Dimensions

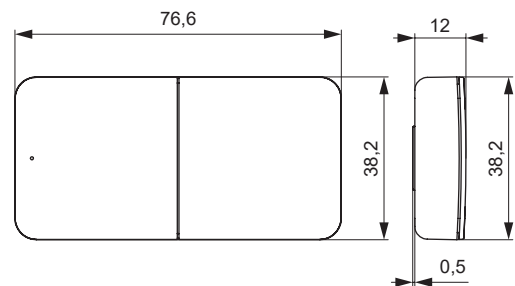


Mec Driver RGBW remote control, black



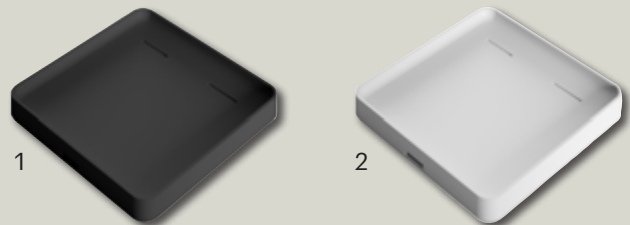
Control of RGB and Emotion lights via the RGBW module.

Product features:	Remote control for the Mec Driver control system
	RGBW version for controlling RGB and Emotion LEDs
	1 channel

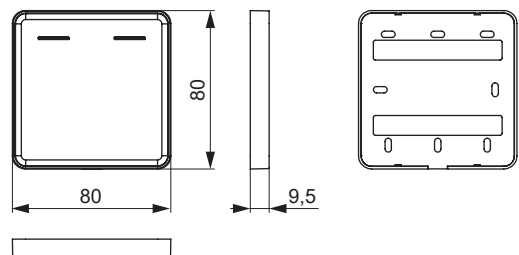


Mec Driver remote control		Color	Ref.
1	Mec Driver RGBW remote control	Black	756200038
2		White	756200039

Mounting housing for two Mec Driver remote controls



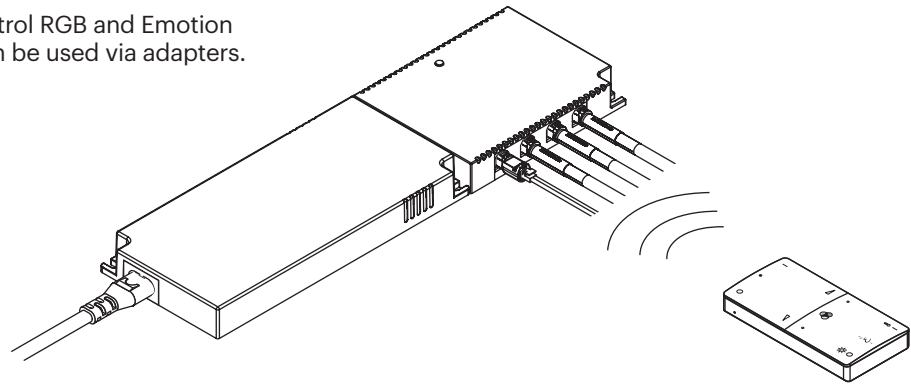
Product features:	Bracket for two remote controls To screw-on
-------------------	--



Mec Driver accessories		Color	Ref.
1	Mounting housing for two Mec Driver remote controls	Black	754000011
2		White	754000012
-	Blind cover for mounting housing	Black	754000013
		White	754000014

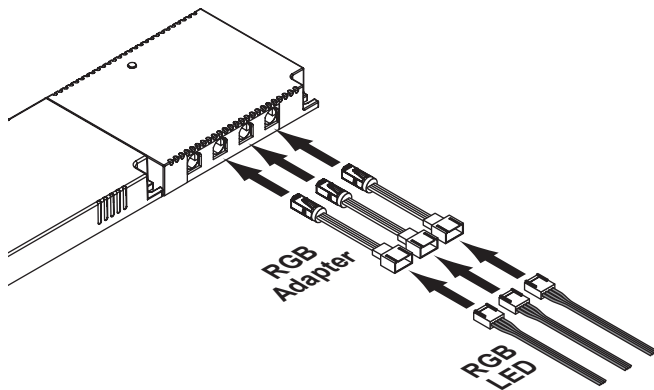
Application

The RGB module can be used to control RGB and Emotion LEDs. Various connector systems can be used via adapters.



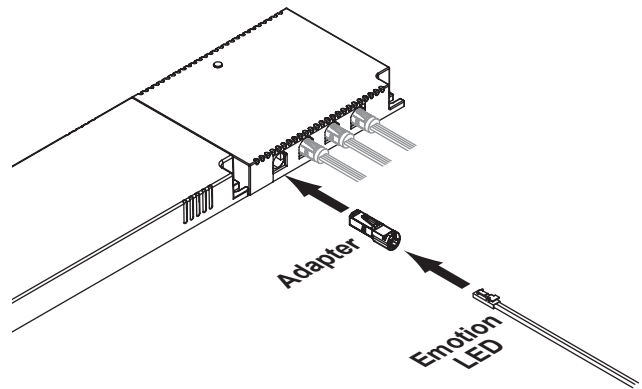
Connection of RGB LEDs with square plug-in system

- The RGB adapter must be used for the connection



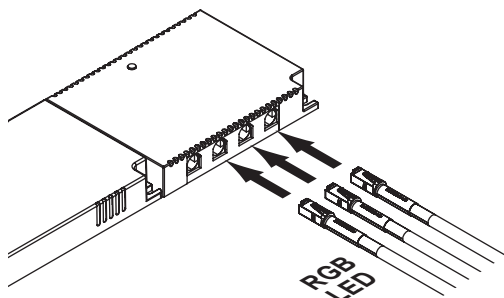
Connection of Emotion LEDs with mini LED plug

- The Emotion adapter must be used for the connection
- Only use 24 V Emotion LEDs



Connection of RGB LEDs with round connector system

- Direct connection to the module

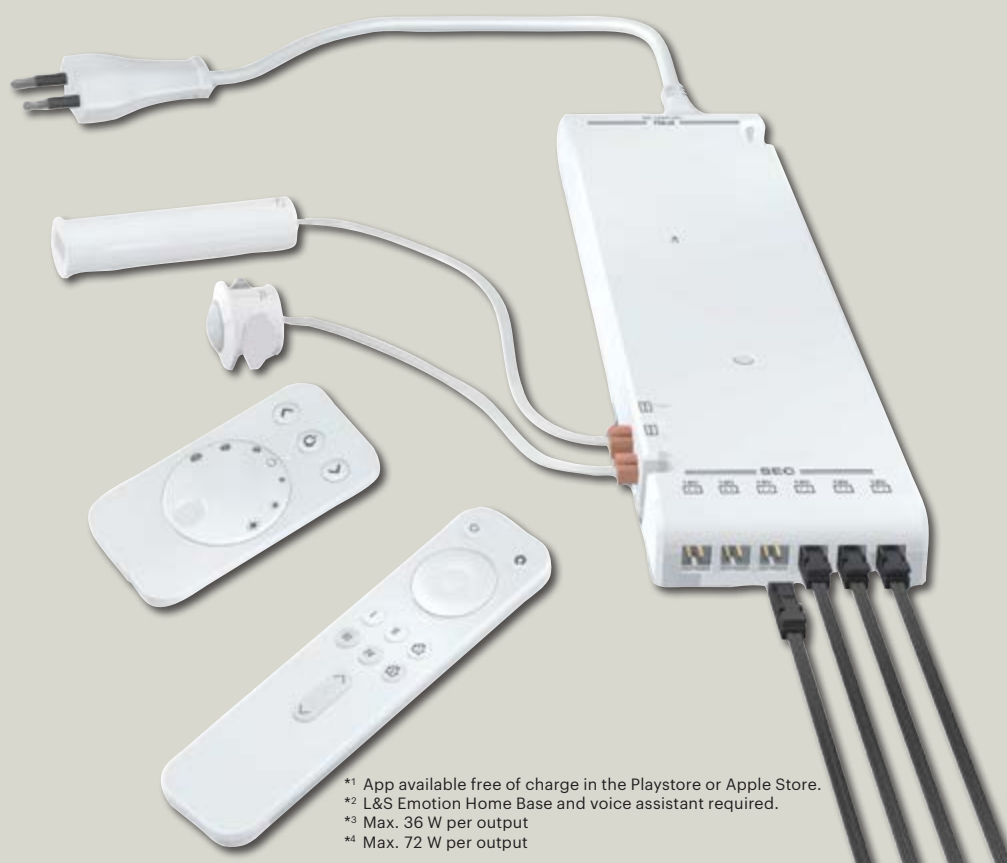


Emotion DRIVER

Proven and reliable.
Wide range of accessories.

Converter, emotion control and Bluetooth receiver in one device. Different functions can be provided via the function modules (see below): from connecting a door contact switch to wireless control via app * / voice control **.

- Suitable for all L&S Emotion lighting systems
- 12 or 24 V driver
- Plug-in power cord
- Daisy-chain connection is possible, i.e. up to 10 L&S Emotion Drivers can be connected to a connection cable using plug-in connecting cables
- Two plug-in switch connections for the Emotion-IR Sensor / door contact sensor and motion detector
- Integrated distribution strip for L&S Emotion LED lights
- 15 W with 4 slots, 30W and 60W with 6 slots each
- Wireless communication between the emotion drivers

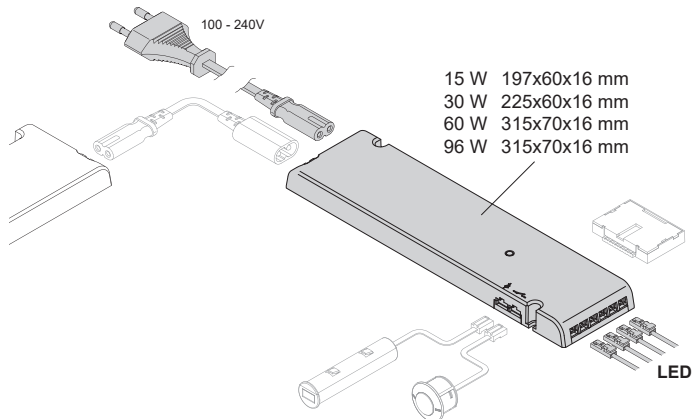


*1 App available free of charge in the Playstore or Apple Store.
*2 L&S Emotion Home Base and voice assistant required.
*3 Max. 36 W per output
*4 Max. 72 W per output

All In One Emotion Driver Frankfurt series



Dimensions



Input voltage: AC 100-240 V

Output voltage: DC 12 V
DC 24 V

Power: 15-96 W

Connection: pri.: Plug type C 8
sec.: MiniLED socket

Color: White

Frankfurt series	Voltage (V)	Power (W)	Ref.
All In One Emotion Driver	12	15	2000391
		30	2000392
		60	2000393
	24	96	2000879
		15	2000394
		30	2000395
		60	2000396
		96	2000880

Function modules for Emotion Driver



Product features: Use with the All In One Emotion Driver
Providing different functions depending on the module (see below)

Function modules for Emotion Driver	Ref.
Function module 1	2000397
Function module 2	2000398
Function module 3	2000399

Function	Module 1	Module 2	Module 3
Emotion IR sensor/door contact	✓	✓	✓
Motion detector	✓	✓	✓
Microwave sensor	✓	✓	-
Emotion 1-channel Emotion remote control	-	✓	✓
Emotion 4-channel Emotion / RGB remote control	-	✓	✓
Radio remote control / Wall switch (2 buttons)	-	✓	✓
Wireless communication between the emotion drivers	-	✓	✓
Control via bluetooth possible *	-	-	✓
Control via Emotion Home Base possible	-	✓	✓

* L&S Emotion Home Base required

Emotion Driver Connection cable



Operation voltage: AC 100-240 V
 Max. current: Max. 2.5 A
 Connection: pri.: Plug type C
 sec.: Socket type C7
 Color: White

Power cables	Length (mm)	Ref.
EU version (type C)	2000	2000402
GB version (type G)		910300004
US version (type A)		910300005

Emotion Driver Connection cable



Operation voltage: AC 100-240 V
 Max. current: Max. 2.5 A
 Connection: pri.: Plug type C8
 sec.: Socket type C7
 Color: White

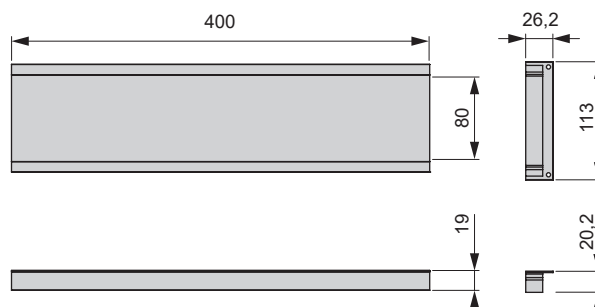
Extension cords	Voltage (V)	Ref.
Extension cable	300	2000216
	500	2000403
	1000	2000404
	3000	2000405

IP44 cover for Emotion Driver



Product features: Cover cap for protection against splashing water
 Dimensions total: 422.4x113x20.2 mm
 Color: Black

Dimensions



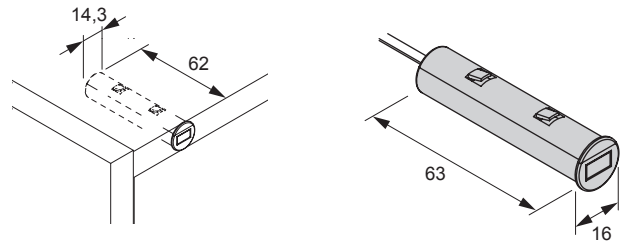
Frankfur series Emotion Driver	Ref.
IP44 cover cap	2000666

All In One Emotion Driver IR sensor/door contact sensor



- Product features:** Non-contact IR sensor for recessed or mounted installation.
Two operating modes: „InDoor-Mode“ and „Touch-Mode“.
Adjustable via the switch on the back of the sensor.
- Functions:** **Touch-Mode:** Setting the brightness in three levels*, continuous adjustment of the light colour*, ON/OFF function
InDoor-Mode: ON/OFF function (door contact switch), detection distance 5-70 mm to the front

Dimensions



*The IR sensor must be connected to the Emotion input for this function..

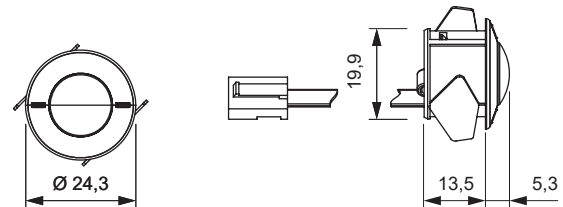
Frankfur series Emotion Driver	Farbe	Ref.
IR sensor/door contact sensor	White	2000400
		2000486
	Black	2000805

All In One Emotion Driver Motion detector



- Product features:** Wired sensor for the Emotion Driver
ON/OFF function, Detection area approx. 120°, Detection distance: max. 2500 mm, Adjustable switch-off delay (16 Sec - 10 Min.)
- Color:** White

Dimensions



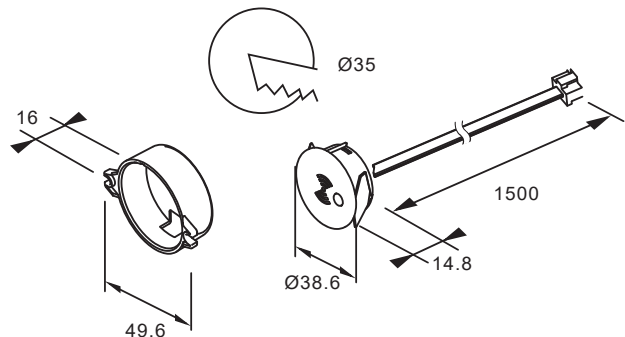
Frankfur series Emotion Driver	Cable length (mm)	Ref.
Motion detector	1800	2000401
	3000	2000487
Mounting housing		2000692

Microwave sensor for Emotion Driver



- Product features:** Motion detection: light on when approaching
Switch off after leaving the detection range or if no movement is detected. Adjustable switch-off delay (16 sec. - 10 min.) via Emotion Driver
Sensitivity adjustment in 4 levels
Daylight threshold: 40 - 160 lux
Mounting in or behind non-metallic surfaces
ON/OFF function. Detection distance: max. 10 m. Mounting diameter 35 mm. Cable length 1500 mm
- Color:** White
- Cable length:** 1500 mm

Dimensions



- Functions**
- ON/OFF

Frankfur series Emotion Driver	Ref.
Microwave sensor for Emotion Driver	2000850

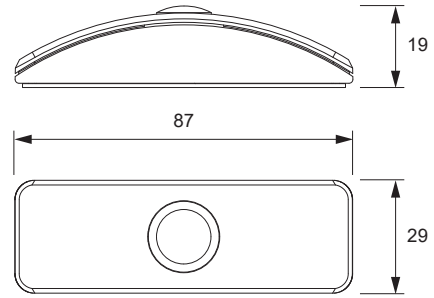
Emotion Radio Switch / Motion detector



Product features: ON/OFF function, dimming and changing the colour temperature, with twilight function
 Operation in combination with the 1-channel control system Frankfurt series and the Emotion Driver (module 2 or 3)

Color: White

Dimensions



Frankfurt series	Ref.
Emotion Radio Switch / Motion detector Frankfurt series	2000691

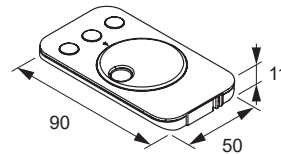
Emotion 1-channel remote control Frankfurt series



Can be used with function module 2 and 3.
 One remote control per Emotion Driver possible.

Product features: Stepless adjustment of the color temperature
 Dimming function
 incl. Wall bracket for remote control

Dimensions



Frankfurt series	Farbe	Ref.
1-channel remote control	White	2000374
	Black	2000375

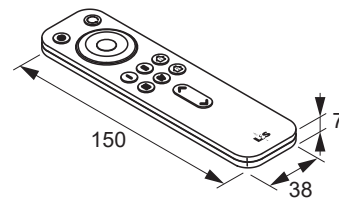
4-channel remote control Frankfurt series



Functions: Universal remote control Emotion / RGB / Dimming
 4 channels, 2 light scenes saveable
 LED display field
 Continuous adjustment of the light colour
 Dimming function with three dimming levels
 Including wall bracket for remote control

Color: White

Dimensions



Frankfurt series	Ref.
1 4-channel remote control Frankfurt series	2000292
2 Wall bracket	2000698

Emotion radio remote control/wall switch (2 buttons) for Emotion Driver



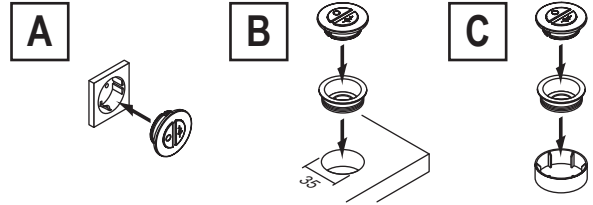
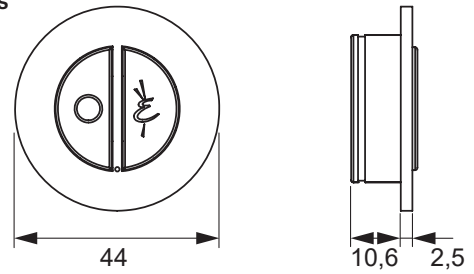
Functions:

Can be used with function modules 2 and 3
 Several remote controls per Emotion Driver possible
 Alternating circuits can be realized
 Continuous adjustment of the light colour, adjustment of the colour temperature
 Can be used as a socket insert, for installation or as a hand-held remote control
 Including mounting ring and add-on housing

Color:

Silver finish

Dimensions



Radio remote control / wall switch (2 buttons) for Emotion Driver	Ref.
Emotion radio remote control/wall switch (2 buttons)	2000668

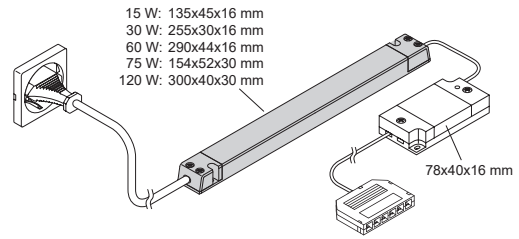
Emotion 1-channel radio control Frankfurt series



- Control system for LED Emotion lights
- Control via remote control (see below)
- Continuously adjustable color temperature from Warm white to Cool white
- Incl. LED driver with 16 mm height
- Can be expanded as required, can be combined with 12 and 24 V control unit
- On/off and dimming at the touch of a button, color temperature adjustable via rotary wheel (remote control see below), memory function: storage of the last setting, Auto On: settings are retained even after power loss

Radio frequency: 2.4 GHz
 Number of channels: 1
 Feed line: pri.: 2000 mm
 sec.: 180 mm

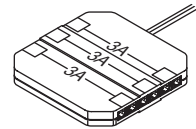
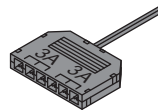
Dimensions



Frankfurt series	Power (W)	Outputs	Ref.
Emotion radio control 12 V	30	6	2000370
	60*	6	2000371
Emotion radio control 24 V	30	6	2000372
	60	6	2000373
	75**	12	2000633
	120**	12	2000634

* Max. 36 W per 3 A fuse (3 socketse), see below

** Max 72 W per 3 A fuse (4 sockets), see below



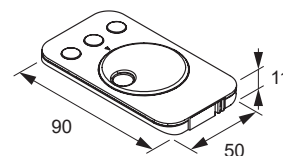
Emotion 1-channel remote control Frankfurt series



Can be used with function module 2 and 3.
 One remote control per Emotion Driver possible.

Product features: Stepless adjustment of the color temperature
 Dimming function
 incl. Wall bracket for remote control

Dimensions



Frankfurt series	Color	Ref.
1-channel remote control	White	2000374
	Black	2000375

* L&S Emotion Home Base required

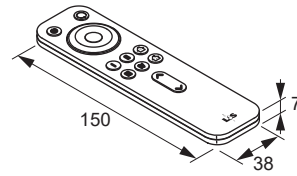
4-channel remote control Frankfurt series



Functions: Universal remote control Emotion / RGB / Dimming
4 channels, 2 light scenes memory function
LED display field
Continuous adjustment of the light color
Dimming function with three dimming levels

Color: White

Dimensions



Frankfurt series		Ref.
1	4-channel remote control Frankfurt series	2000292
2	Wall bracket	2000698

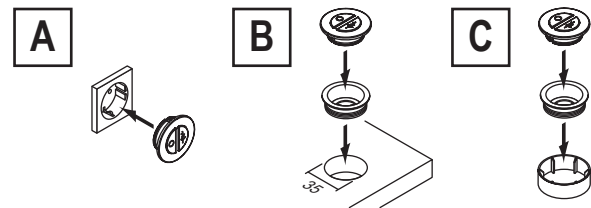
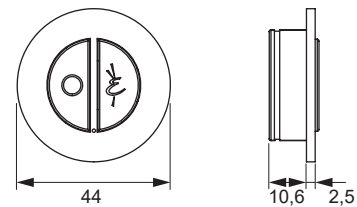
Emotion radio remote control/wall switch (2 buttons) for Emotion Driver



Functions: Can be used with function modules 2 and 3
Several remote controls per controller possible
Alternating circuits can be realized
Continuous adjustment of the light color, adjustment of the color temperature
Can be used as a socket insert, for installation or as a hand-held remote control
Including mounting ring and add-on housing

Color: Silver finish

Dimensions



Radio remote control / wall switch (2 buttons) for Emotion Driver		Ref.
Emotion radio remote control/wall switch (2 buttons)		2000668

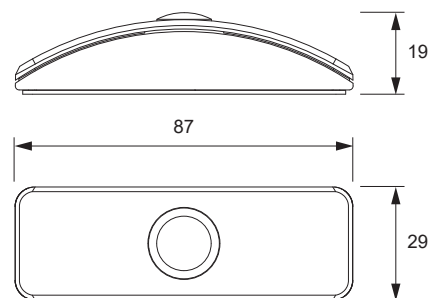
Emotion Radio switch / Motion detector



Product features: ON/OFF function, dimming and changing the colour temperature, with twilight function
Operation in combination with the 1-channel control system Frankfurt series and the Emotion Driver (module 2 or 3)

Color: White

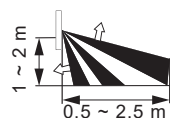
Dimensions



Top view



Side view



Movement



Mounting parallel to the ground
Highest sensitivity
installation at a height of 1-2 m

Frankfurt series		Ref.
Emotion Radio Switch / Motion detector Frankfurt series		2000691



Emotion Home Base Frankfurt series

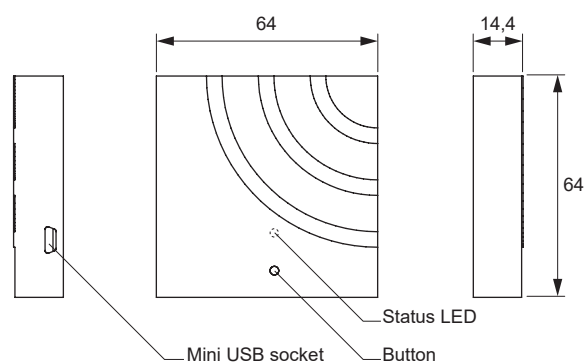


- Gateway for connecting control units from the Frankfurt series to smart home networks
- Control via voice, app or remote control
- Voice control in connection with a Zigbee Bridge and a Smart Speaker
- Up to 4 lighting groups can be controlled
- Existing light controls from the Frankfurt series can be retrofitted easily

Input voltage:	AC 230 V
Operating voltage:	DC 5 V
Radio frequency:	2.4 GHz
Radio standard:	ZigBee 3.0
Color:	White
Connection:	Plug-in power supply (included in the scope of delivery)
Cable length:	1000 mm

! A remote control is required for designation!

Dimensions



Requirements for operation

- Existing Zigbee Bridge (we recommend the Philips Hue Bridge¹)
- Existing light control from the Frankfurt series

Requirement for voice control

- Existing smart speaker (e.g. Amazon Echo², not compatible with Apple HomeKit)

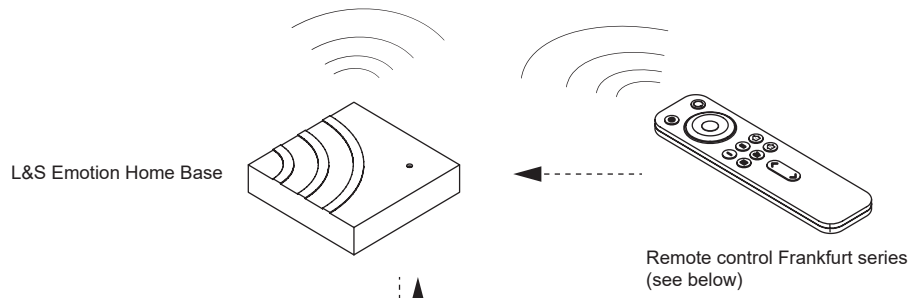
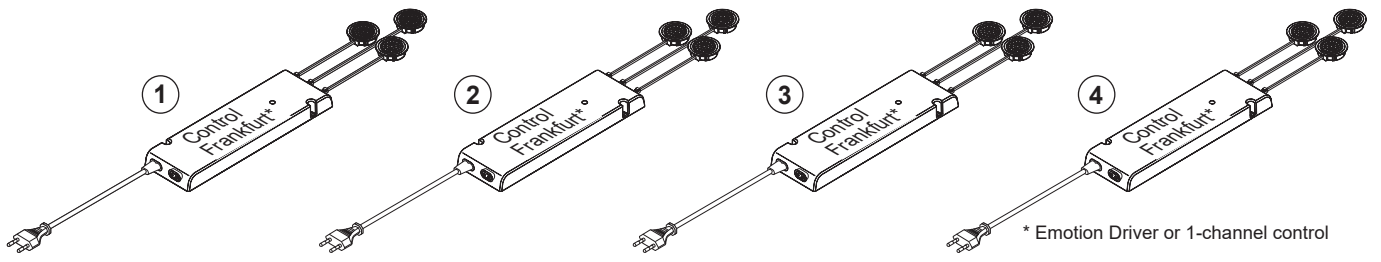
The function of the Emotion Home Base with Amazon Alexa² and Google Assistant³ as well as the Philips Hue¹ Bridge were tested at the time this catalog page was created. We have no control over any changes or further development of the apps in the meantime. We do not claim that the information is correct or complete. Other voice assistants can also be used. Please refer to the respective provider's instructions for use.

Frankfurt series	Ref.
Emotion Home Base	2000484

¹ Philips Hue is a registered trademark of Signify N.V.

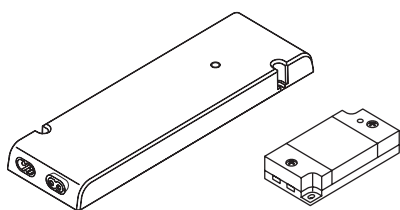
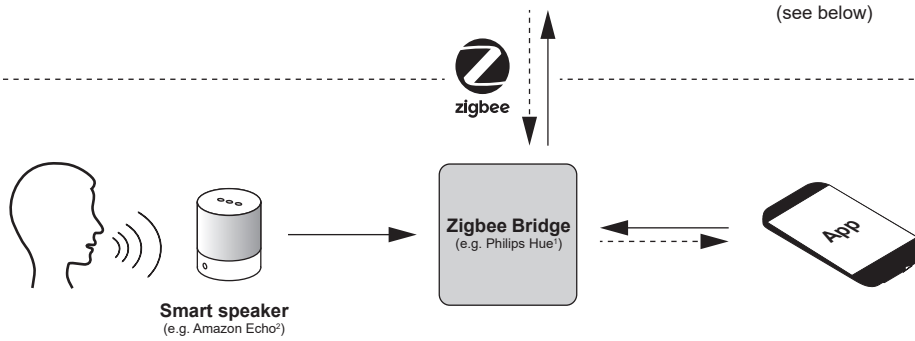
² Amazon Echo and Amazon Alexa are registered trademarks of Amazon.com, Inc.

³ Google Assistant is a registered trademark of Alphabet Inc.



L&S System

Third party systems



Emotion Driver
15 / 30 / 60 W

1-channel control
Frankfurt series



Remote control / wall
switch 2 buttons
Frankfurt



Radio switch /
Motion detector
Frankfurt



1-channel remote control
Frankfurt series

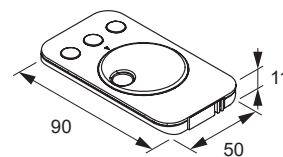
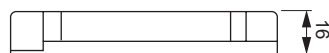
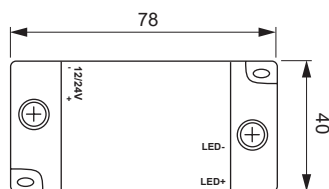


4-channel remote control
Frankfurt series

Radio dimmer Frankfurt series



Dimensions



Product features:

Switching and dimming of LED lights
Starter set with receiver and remote control
Can be expanded as required with an expansion set

Operating voltage:

DC 12 V
DC 24 V

Max. power:

36 W
72 W

Radio frequency:

2.4 GHz

Number of channels:

1

LED output:

1x Mini LED socket

Color:

White

Cable length:

pri.: 200 mm
sec.: 200 mm

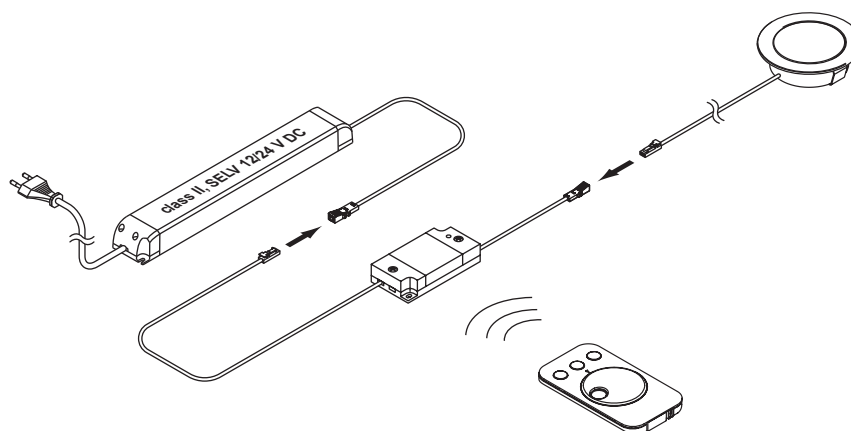
***Note:** The switch must be installed at a minimum distance of 0.5 m from transformers, ballasts and other electrical devices (e.g. microwaves, stereo and TV systems). Installation on or behind metal-coated foils is not permitted.

Functions (via remote control)

- ON/OFF
- Continuous Dimming with rotary wheel
- Memory function: saving the last dimming level

Frankfurt series	Ref.
Radio dimmer Starter set 12 V	2000445
Radio dimmer expansion set 12 V	2000446
Radio dimmer Starter set 24 V	600000005
Radio dimmer expansion set 24 V	941300062

Connection



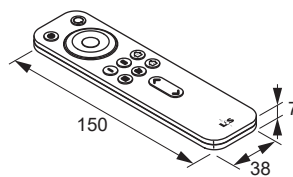
4-channel remote control Frankfurt series



Functions: Universal remote control Emotion / RGB / Dimming
4 channels, 2 light scenes memory function
LED display field
Continuous adjustment of the light color
Dimming function with three dimming levels

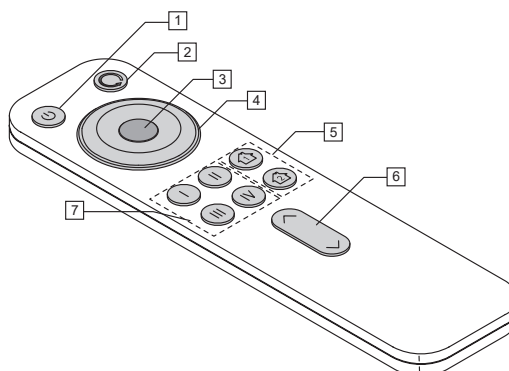
Color: White

Dimensions



Frankfurt series		Ref.
1	4-channel remote control Frankfurt series	2000292
2	Wall bracket	2000698

Button	Assignment
1	ON/OFF
2	Color flow
3	Display
4	Rotary control (light color)
5	Light scene 1 / 2
6	Dimming
7	Channel 1 - 4



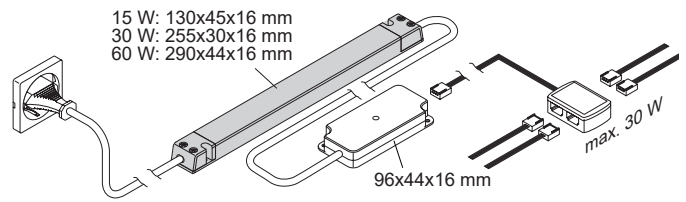
RGB Radio control Frankfurt series



- Control system for LED RGB lighting systems
- Control via 1-channel or 4-channel remote control
- Incl. 24 V LED driver with 16 mm height
- Incl. 4-way distributor, ON/OFF, manual color selection, automatic color loop, dimming in 3 steps, Adjustment of color loop speed
- Memory function: saving the last color setting and dimming level

Operating voltage:	AC 230 V
Output voltage:	DC 24 V
Radio frequency:	2.4 GHz
Number of channels:	1
LED output:	4x 4PIN PWM socket
Cable length:	pri.: 2000 mm sec.: 1500 + 400 mm

Dimensions



Functions (via remote control)

- ON/OFF
- Manual color selection
- Automatic color cycle with color transition
- Dimming in 3 levels
- Setting the speed of the color change
- Memory function: saving the last color setting and dimming level

Frankfurt series	Power (W)	Ref.
RGB Radio control	15	2000288
	30	2000289
	60	2000290

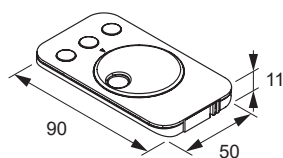
RGB 1-channel remote control Frankfurt series



- Continuous adjustment of the RGB color
- Dimming function with three dimming levels
- Including wall bracket for remote control

Radio frequency: 2.4 GHz
Color: White

Dimensions



Frankfurt series	Ref.
RGB 1-channel remote control	2000291

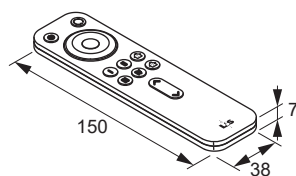
4-channel remote control Frankfurt series



Functions: Universal remote control Emotion / RGB / Dimming
4 channels, 2 light scenes memory function
LED display field
Continuous adjustment of the light color
Dimming function with three dimming levels

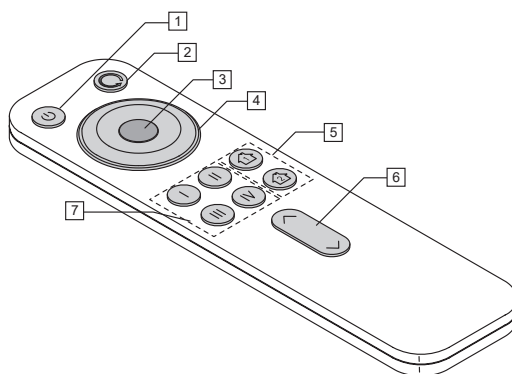
Color: White

Dimensions



Frankfurt series		Ref.
1	4-channel remote control Frankfurt series	2000292
2	Wall bracket	2000698

Button	Assignment
1	ON/OFF
2	Color flow
3	Display
4	Rotary control (light color)
5	Light scene 1 / 2
6	Dimming
7	Channel 1 - 4



LED Plug-in power supply 6 W



- Integrated 2-fold LED socket cable
- Cable length: 2x 200 mm

LED Plug-in power supply 230V / 12V	Power (W)	Ref.
LED converter	6	2000419

LED converter 15 W



- 3 internal slots
- Cable length primary: 2000 mm, Cable length secondary: 200 mm (6-way distributor)
- Dimensions: 130x45x16 mm

LED converter 230 V / 12 V	Power (W)	Ref.
LED converter	15	2000420

LED converter 30 W



- Cable length primary: 2000 mm, Cable length secondary: 200 mm (socket line), 200 mm (6-way distributor)
- Dimensions: 154x50x14 mm

LED converter 230 V / 12 V	Power (W)	Ref.
LED converter	30	2000421

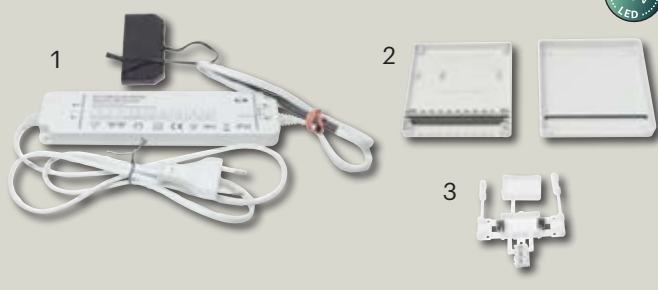
LED converter 60 W



- Cable length primary: 2000 mm, Cable length secondary: 200 mm (6-way distributor)
- Dimensions: 290x44x16 mm

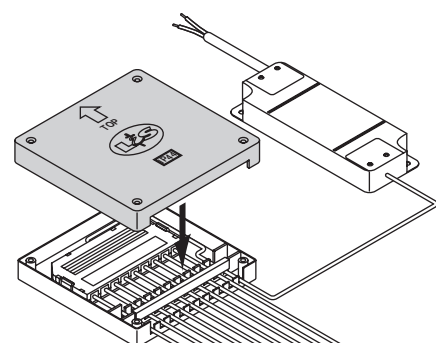
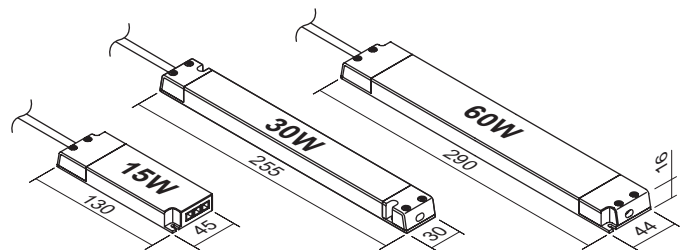
LED converter 230 V / 12 V	Power (W)	Ref.
LED converter	60	2000422

LED converter IP 44



- Incl. 9-way distributor
- IP44 splash-proof

LED converter 230 V / 12 V	Power (W)	Ref.
1 LED converter IP 44	30	2000427
2 Distributor housing IP 44 for 9-way distributor		2000428
3 Connection box IP 44		2000429



Mini LED connection cable 12 V



Operation voltage: DC 12 V
 Connection: pri.: Mini LED plug
 sec.: Wire ends (tinned)

LED connection cable 12 V



Operation voltage: DC 12 V
 Connection: pri.: Mini LED plug
 sec.: Mini LED socket

Connection cables 12 V	Length (mm)	Ref.
LED Plug cable 12 V	2000	2000431

Connection cables 12 V	Length (mm)	Ref.
LED connection cable 12 V	1800	2000430

LED 6-way distributor 12 V



Operation voltage: DC 12 V
 Connection: pri.: Mini LED plug
 sec.: Mini LED socket

LED 9-way distributor 12 V



Operation voltage: DC 12 V
 Connection: pri.: Mini LED plug
 sec.: Mini LED socket

Connection cables 12 V	Length (mm)	Ref.
LED 6-way distributor 12 V	200	2000432

Connection cables 12 V	Length (mm)	Ref.
LED 9-way distributor 12 V	140	2000433

Emotion adapter cable 12 V



Changing the light color from Warm white to Cool white for Emotion lights without Emotion control

Operation voltage: DC 12 V
 Connection: pri.: Mini LED plug
 sec.: Mini LED socket

Connection set sensor switch



Connection of 24 V sensors with black plug to 12 V converter

Operation voltage: DC 12 V
 Connection: pri.: Mini LED plug
 sec.: Mini LED socket

Connection cables 12 V	Length (mm)	Ref.
Emotion Adapter cable 12 V	200	2000436

Connection cables 12 V	Length (mm)	Ref.
Sensor switch connection set for 24 V sensors	100	2000438

LED converter 15 W



- Cable length primary: 2000 mm, cable length secondary: 200 m (6-way distributor)
- Dimensions: 255x30x16 mm

LED converter 230 V / 24 V	Power (W)	Ref.
LED converter	15	2000423

LED converter 230 W



- Cable length primary: 2000 mm, cable length secondary: 200 mm (socket line), 200 mm (6-way distributor)
- Dimensions: 255x30x16 mm

LED converter 230 V / 24 V	Power (W)	Ref.
LED converter	30	2000424

LED converter 60 W



- Inkl. 2x 6-way distributor, cable length primary: 2000 mm, cable length secondary: 200 mm (6-way distributor)
- Dimensions: 290x44x16 mm

LED converter 230 V / 24 V	Power (W)	Ref.
LED converter	60	2000425

LED converter 75 W



- Inkl. 12-way distributor, cable length primary: 2000 mm, cable length secondary: 200 mm (12-way distributor)
- Dimensions: 180x42x30 mm

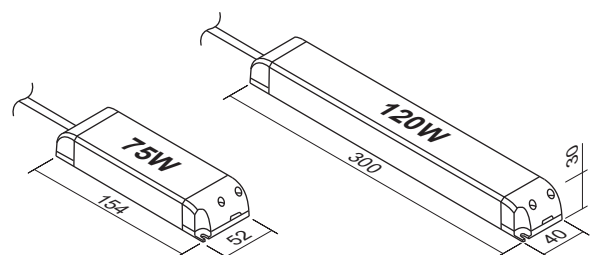
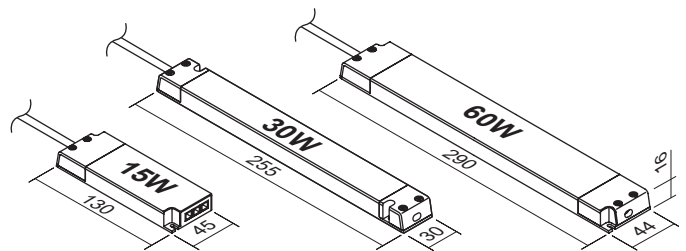
LED converter 230 V / 24 V	Power (W)	Ref.
LED converter	75	2000426

LED converter 120 W



- Inkl. 12-way distributor, cable length primary: 2000 mm, cable length secondary: 200 mm (12-way distributor), Dimensions: 300x40x30 mm

LED converter 230 / 24 V	Power (W)	Ref.
LED converter	120	2000472



LED plug line 24 V



Operation voltage: DC 24 V
 Connection: pri.: Mini LED plug
 sec.: Wire ends (tinned)

LED connection cable 24 V



Operation voltage: DC 24 V
 Connection: pri.: Mini LED plug
 sec.: Mini LED socket

Connection cables 24 V	Length (mm)	Ref.
LED Plug cable 24 V	2000	2000857

Connection cables 24 V	Length (mm)	Ref.
LED connection cable 24 V	2000	2000434
	5000	2000823

LED 6-way distributor 24 V



Operation voltage: DC 24 V
 Connection: pri.: Mini LED plug
 sec.: Mini LED socket

Emotion adapter cable 24 V



Changing the light color from Warm white to Cool white for Emotion lights without Emotion control
 Operation voltage: DC 24 V
 Connection: pri.: Mini LED plug
 sec.: Mini LED socket

Connection cables 24 V	Length (mm)	Ref.
LED 6-way distributor 24 V	200	2000435

Connection cables 24 V	Length (mm)	Ref.
Emotion Adapter cable 24 V	200	2000437

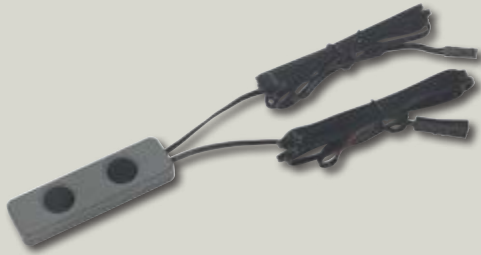
Connection set sensor switch



Connection of 24 V sensors with white plug to 12 V converter
 Operation voltage: DC 24 V
 Connection: pri.: Mini LED plug
 sec.: Mini LED socket

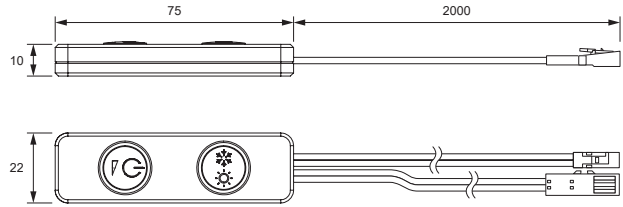
Connection cables 24 V	Length (mm)	Ref.
Sensor switch connection set for 12 V sensors	100	2000438

Emotion switch Pucky II



Product features:	External surface-mounted switch in slim Design Switching and dimming of LED Emotion lights
Operating voltage:	DC 12 V
Max. power:	36 W
Color:	Gray
Cable length:	pri.: 2000 sec.: 2000

Dimensions



Functions

- ON/OFF
- Continuous adjustment of brightness
- Gradual adjustment of the color temperature
- Continuous adjustment of the color temperature

Switching technology Emotion	Ref.
Emotion switch Pucky II	2000670

Pucky II recessed Emotion switch



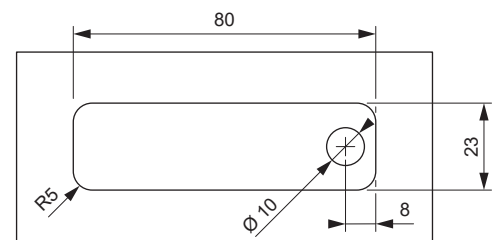
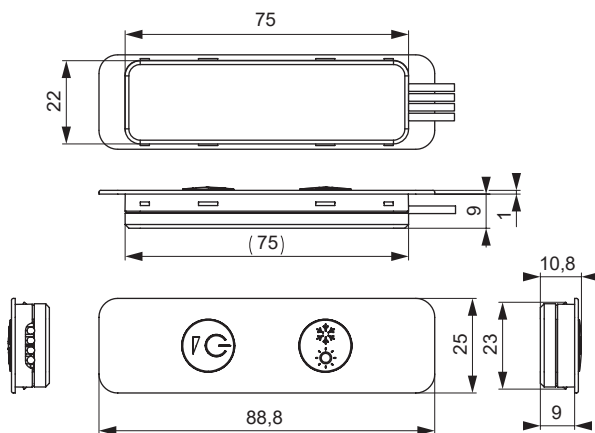
Product features:	External surface-mounted switch in slim Design Switching and dimming of LED Emotion lights
Operating voltage:	DC 12 V DC 24 V
Max. power:	36 W / 72 W
Color:	White
Cable length:	pri.: 2000 sec.: 2000

Functions

- ON/OFF
- Continuous adjustment of brightness
- Gradual adjustment of color temperature
- Continuous adjustment of color temperature

Switching technology Emotion	Color	Ref.
w/o fig. Pucky II recessed 12 V	Grey	941300067
	White	941300068
1 Pucky II recessed 24 V	Grey	2000600
	White	2000599

Dimensions

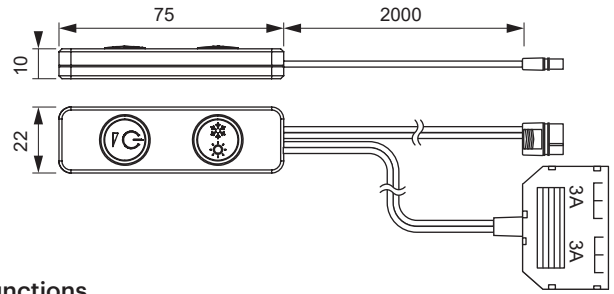


Pucky II Emotion switch set



Product features:	External surface-mounted switch in slim Design Switching and dimming of LED Emotion lights With AMASS MR30 connection cable for connection to Mec Driver and 6-way distributor
Operating voltage:	DC 12 / DC 24 V
Max. power:	36 / 72W
Color:	Gray
Cable length:	pri.: 2000 sec.: 2000

Dimensions



Functions

- ON/OFF
- Continuous adjustment of brightness
- Gradual adjustment of the color temperature
- Continuous adjustment of color temperature

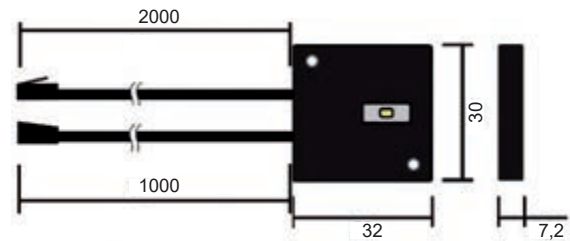
Mec Driver Emotion switch	Ref.
Pucky II 12 V	941300066
Pucky II 24 V	941300063

Touch LED Emotion 12 V / 24 V angular



Product features:	External surface-mounted switch Switching and dimming of LED Emotion lights
Operating voltage:	DC 12 V DC 24 V
Max. power:	30 / 60 W
Color:	Black
Cable length:	pri.: 2000 sec.: 2000

Dimensions



Functions

- ON 95% / 60% / 30% / OFF (short press)
- Continuous adjustment of the color temperature (long press)
- Memory function: Saving the last set color temperature

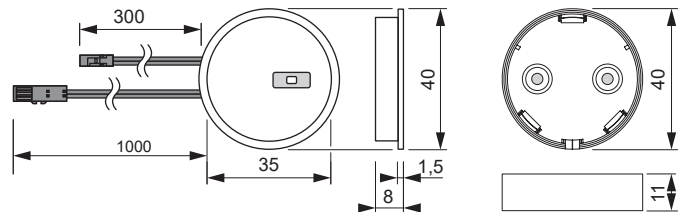
Switching technology Emotion	Ref.
Touch LED Emotion 12 V angular	2000441
Touch LED Emotion 24 V angular	941300064

Touch LED Emotion 12 V / 24 V round



Product features:	External recessed/surface-mounted switch Switching and dimming of LED Emotion lights
Operating voltage:	DC 12 V DC 24 V
Max. power:	30 / 60 W
Color:	Silver finish
Cable length:	pri.: 2000 sec.: 1000

Dimensions

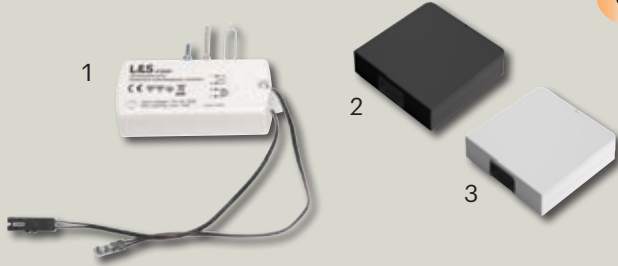


Functions

- ON 95% / 60% / 30% / OFF
- Continuous adjustment of the color temperature
- Memory function: Saving the last set color temperature

Switching technology Emotion	Ref.
Touch LED Emotion 12 V round	2000442
Touch LED Emotion 24 V round	941300065

IR door contact switch Emotion

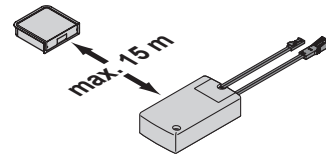
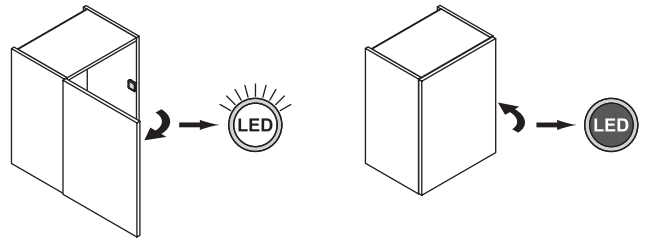


Product features: Door contact switch for 12 or 24 Volt systems
Single, oder sensor separately!

Operating voltage: DC 12 V
DC 24 V (with connection set art. no. 2000438)

Max. power: 36 / 72 W

Cable length: pri.: 200 mm
sec.: 200 mm



Functions

- Door contact (door open = ON, door closed = OFF)

Switching technology Emotion		Color	Ref.
1	IR door contact switch		2000976
2	IR sensor for door contact switch	Black	2000608
3		White	2000609

Magnetic door contact switch Emotion



Product features: External wireless switch for doors and fronts
For switching LED Emotion lights

Operation voltage: DC 12 V
DC 24 V (with connection set art. no. 2000438)

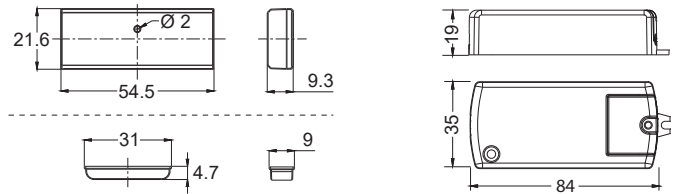
Max. power: 36 / 72 W

Detection distance: Max. 12 mm

Range: ~ 5 m

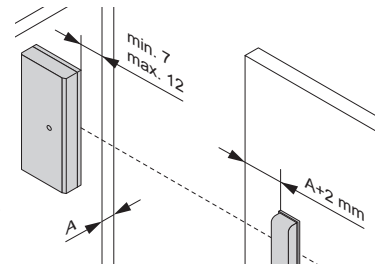
Cable length: pri.: 200 mm
sec.: 200 mm

Dimensions

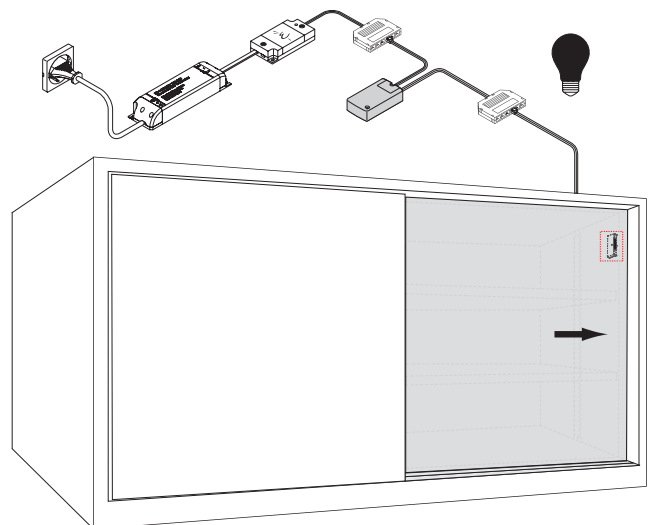
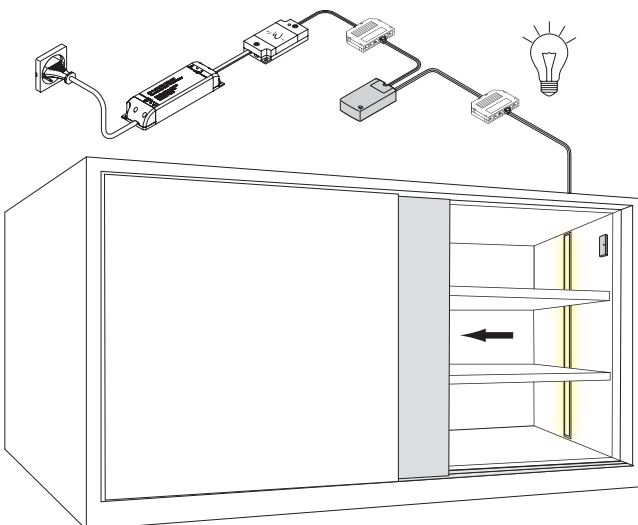


Functions

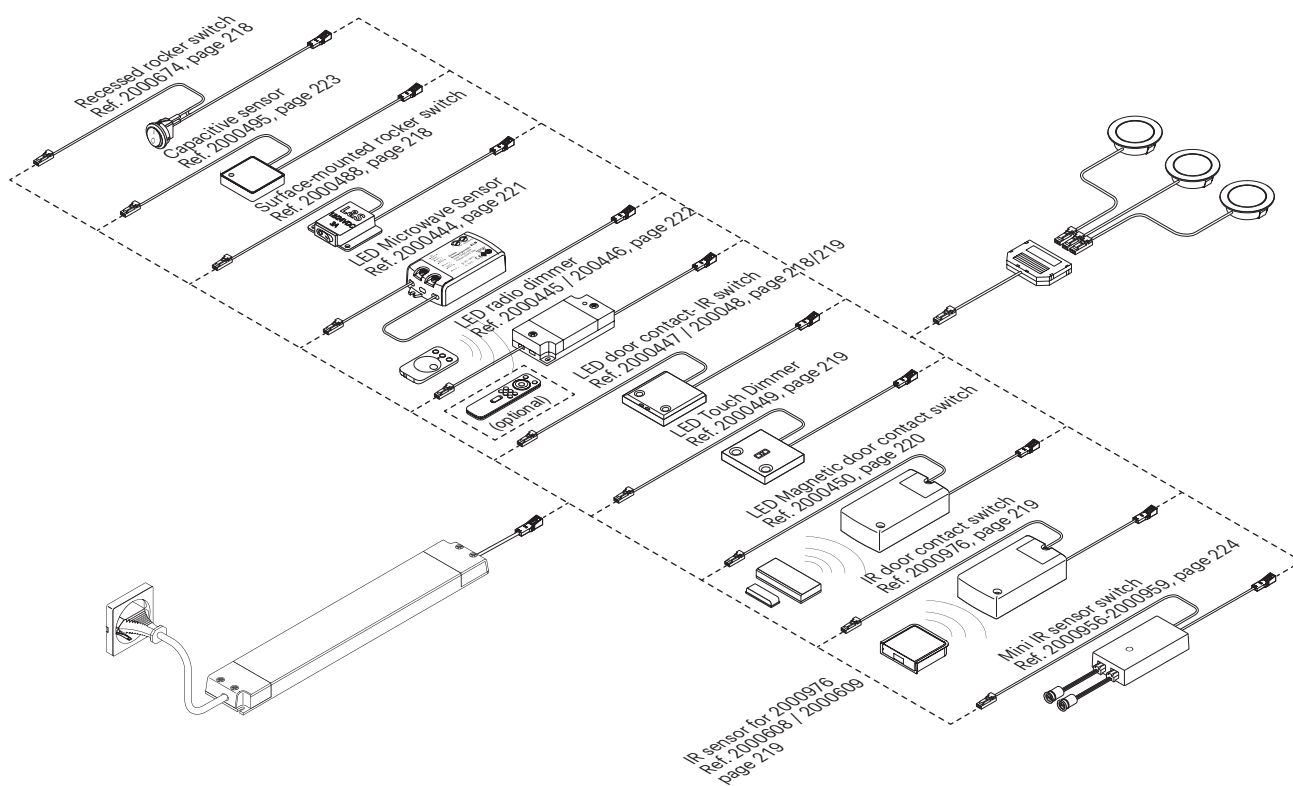
- ON/OFF by bringing the magnets together



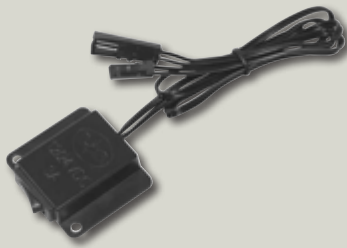
Switching technology Emotion		Ref.
Magnetic door contact switch		2000450
Sender for magnetic door contact switch		2000522



Switching technology single color

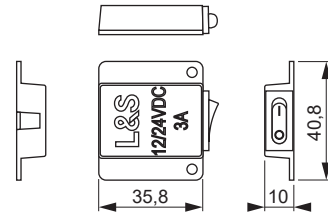


Rocker switch



Product features:	ON/OFF switch To screw on
Operating voltage:	DC 12 V DC 24 V (with connection set art. no. 2000438)
Max. power:	36 / 72 W
Color:	Black
Cable length:	pri.: 320 mm sec.: 320 mm

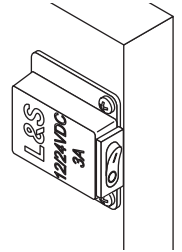
Dimensions



Functions

- ON/OFF

Installation



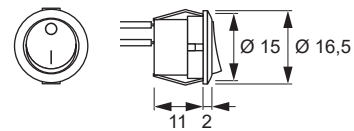
Switching technology single color	Ref.
Rocker switch 12 V 3A	2000488

Rocker switch, recessed



Product features:	External recessed switch
Operating voltage:	DC 12 V DC 24 V (with connection set art. no. 2000438)
Max. power:	36 / 72 W
Color:	Black
Cable length:	pri.: 1800 mm sec.: 1800 mm

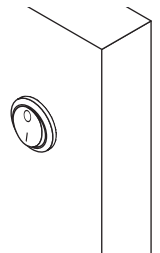
Dimensions



Functions

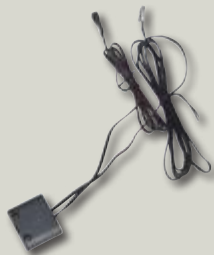
- ON/OFF

Installation



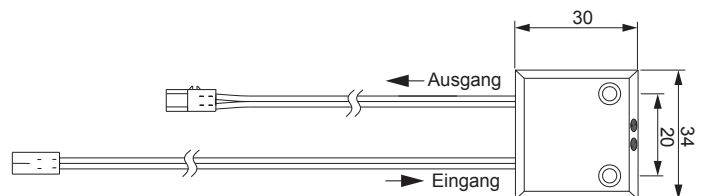
Switching technology single color	Ref.
Rocker switch 12 V / 24 V Recessed	2000674

Door contact switch



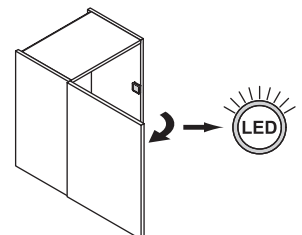
Product features:	External surface-mounted switch for LED lights Switch by door movement
Operating voltage:	DC 12 V DC 24 V (with connection set art. no. 2000438)
Max. power:	30 / 60 W
Max. runtime:	2.5 h
Color:	Black
Cable length:	pri.: 2000 mm sec.: 1000 mm

Dimensions



Functions

- Door closed: OFF,
door open: ON



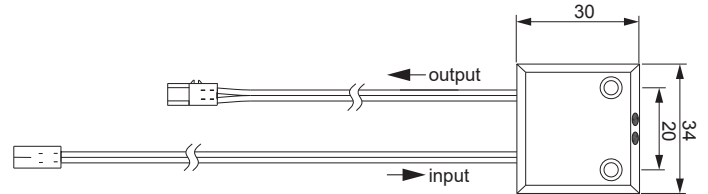
Switching technology single color	Ref.
Door contact switch 12 V / 24 V	2000447

IR switch



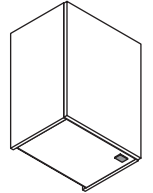
Product features:	External non-contact surface-mounted switch for LED lights For switching
Operating voltage:	DC 12 V DC 24 V (with connection set art. no. 2000438)
Max. power:	30 / 60 W
Color:	Black
Cable length:	pri.: 2000 mm sec.: 1000 mm

Dimensions



Functions

- ON/OFF when approaching



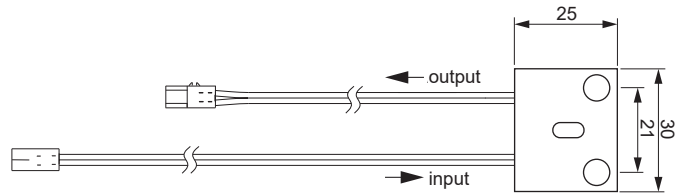
Switching technology single color	Ref.
IR switch 12 V / 24 V	2000448

Touch Dimmer



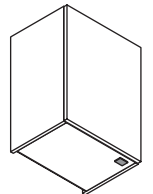
Product features:	External surface-mounted switch for LED lights For switching and stepless dimming
Operating voltage:	DC 12 V DC 24 V (with connection set art. no. 2000438)
Max. power:	30 / 60 W
Color:	Black
Cable length:	pri.: 2000 mm sec.: 1000 mm

Dimensions



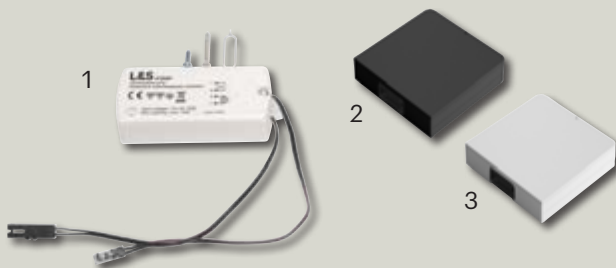
Functions

- ON/OFF with short press
- Continuous dimming through long press
- Auto-ON to max. brightness

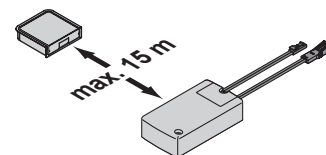
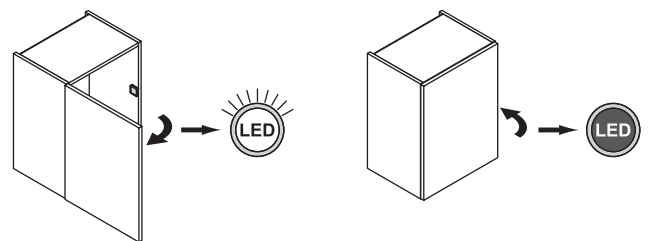


Switching technology single color	Ref.
Touch Dimmer 12 V / 24 V	2000449

IR door contact switch



Product features:	Door contact switch for 12 or 24 Volt systems Single, oder sensor separately!
Operating voltage:	DC 12 V DC 24 V (with connection set art. no. 2000438)
Max. power:	36 / 72 W
Cable length:	pri.: 200 mm sec.: 200 mm



Functions

- Door contact (door open = ON, door closed = OFF)

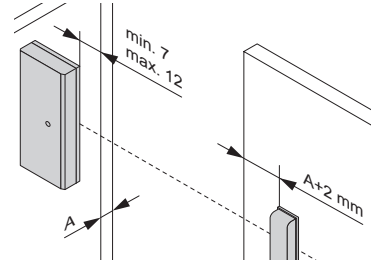
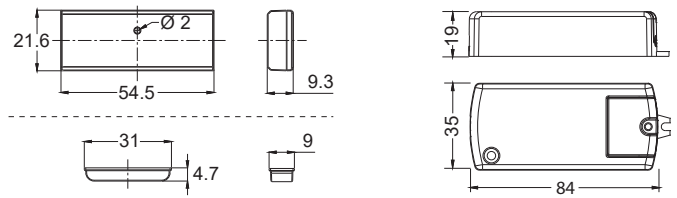
IR door contact switch	Color	Ref.
1 IR door contact switch		2000976
2 IR sensor for door contact switch	Black	2000608
3	White	2000609

Magnetic door contact switch



Product features:	External wireless switch for doors and fronts For switching LED Emotion lights
Operation voltage:	DC 12 V DC 24 V (with connection set art. no. 2000438)
Max. power:	36 / 72 W
Detection distance:	Max. 12 mm
Range:	~ 5 m
Cable length:	pri.: 200 mm sec.: 200 mm

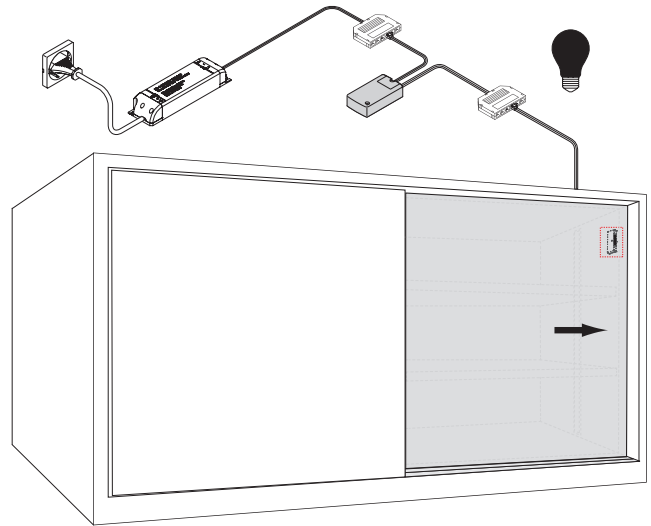
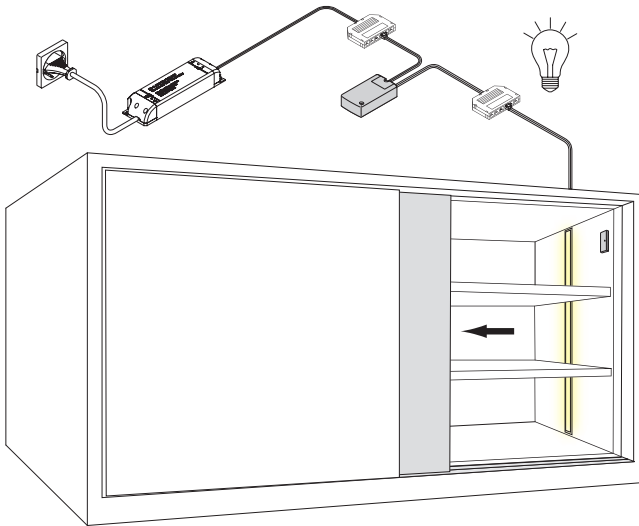
Dimensions



Functions

- ON/OFF by bringing the magnets together

Magnetic door contact switch	Ref.
Magnetic door contact switch	2000450
Sender for magnetic door contact switch	2000522

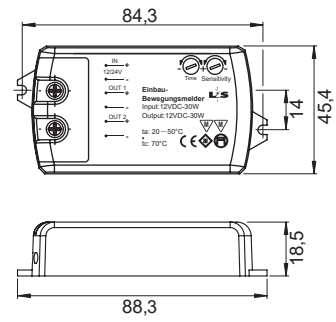


Microwave Sensor



Product features:	External recessed motion detector Installation behind fronts
Operating voltage:	DC 12 V DC 24 V (with connection set art. no. 2000438)
Max. power:	36 / 72 W
Color:	White
Cable length:	pri.: 200 mm sec.: 200 mm

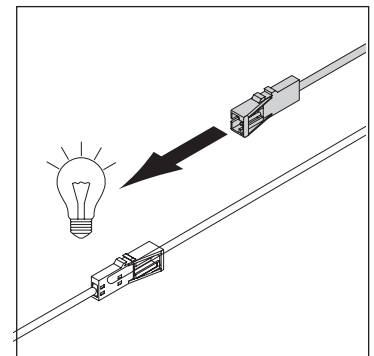
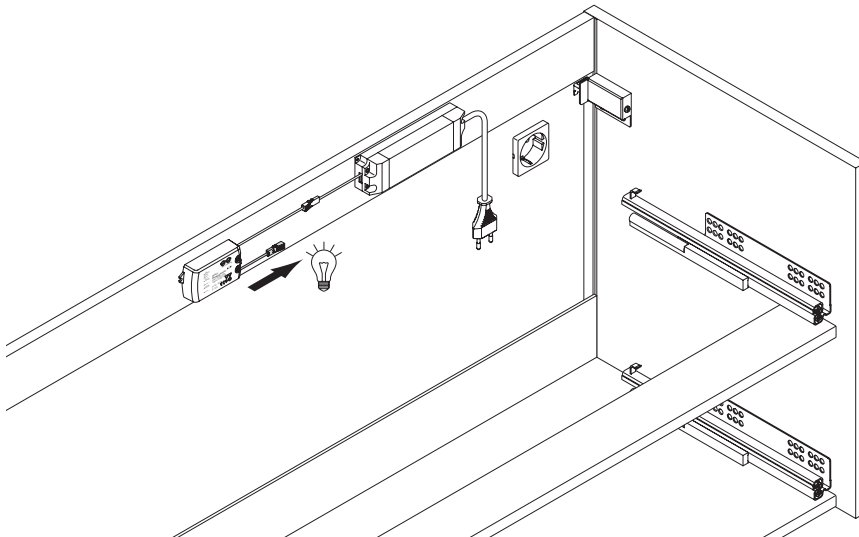
Dimensions



Functions

- ON/OFF when approaching

Switching technology single color	Ref.
Microwave Sensor 12 V / 24 V	2000444



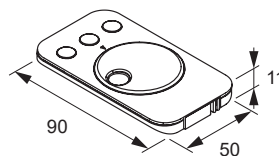
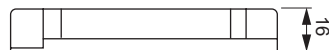
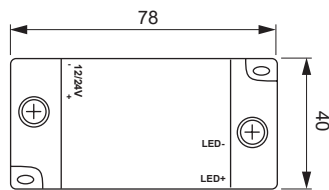
Wireless dimmer



Product features:	Switching and dimming of LED lights Starter set with receiver and remote control Can be expanded as required with an expansion set
Operating voltage:	DC 12 V DC 24 V (with connection set art. no. 2000438)
Max. power:	36 / 72 W
Color:	White
Cable length:	pri.: 200 mm sec.: 200 mm

***Note:** The switch must be installed at a minimum distance of 0.5 m from transformers, ballasts and other electrical devices (e.g. microwaves, stereo and TV systems). Installation on or behind metal-coated foils is not permitted.

Dimensions

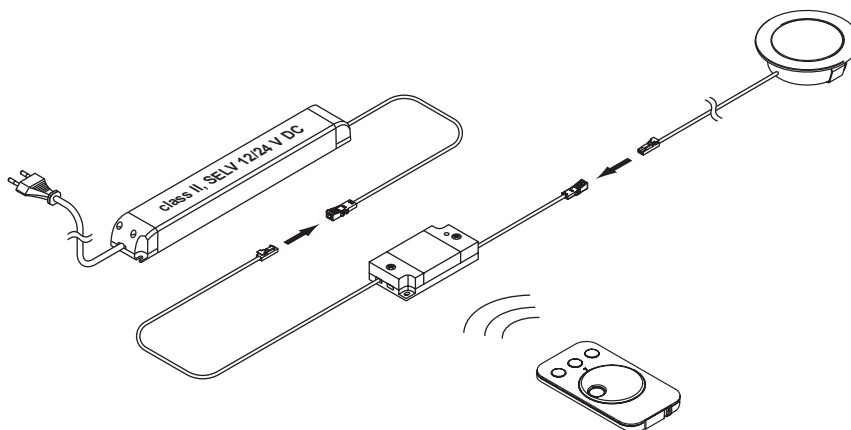


Functions

- ON/OFF with short press
- Continuous dimming via rotary wheel
- Memory: Saving the last dimming setting

Switching technology single color	Ref.
Radio dimmer Starter set (with remote control) 12 V	2000445
Radio dimmer expansion set 12 V	2000446
Radio dimmer Starter set (with remote control) 24 V	600000005
Radio dimmer expansion set 24 V	941300062

Connection



Capacitive sensor



Product features: Invisible installation behind glass or wood (max. 30 mm)
Not suitable for metal or mirror glass

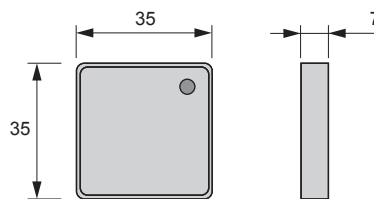
Operating voltage: DC 12 V
DC 24 V (with connection set art. no. 2000438)

Max. power: 36 / 72 W

Color: Black

Cable length: pri.: 1800 mm
sec.: 1800 mm

Dimensions

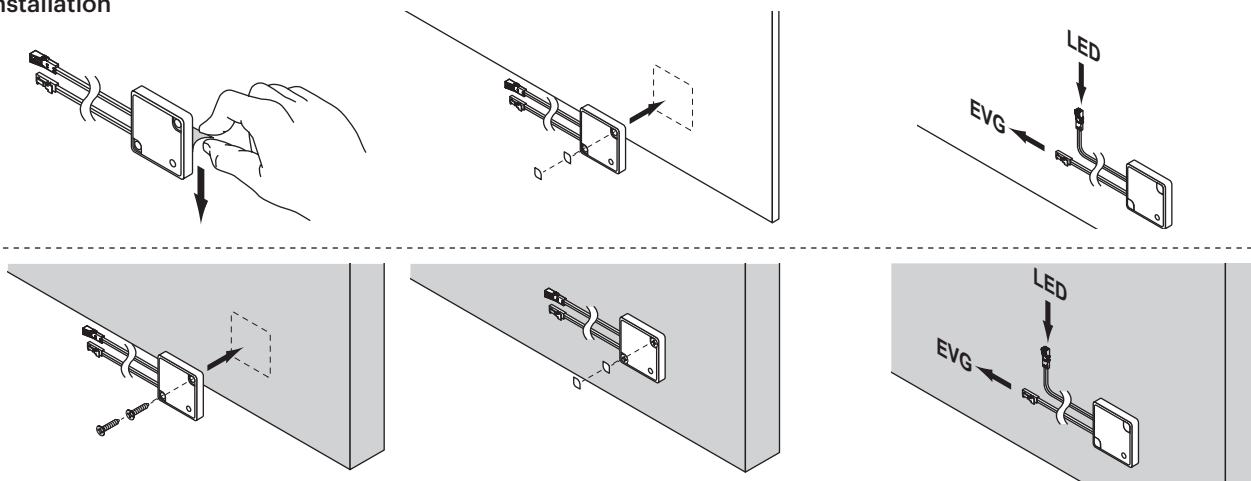


Functions

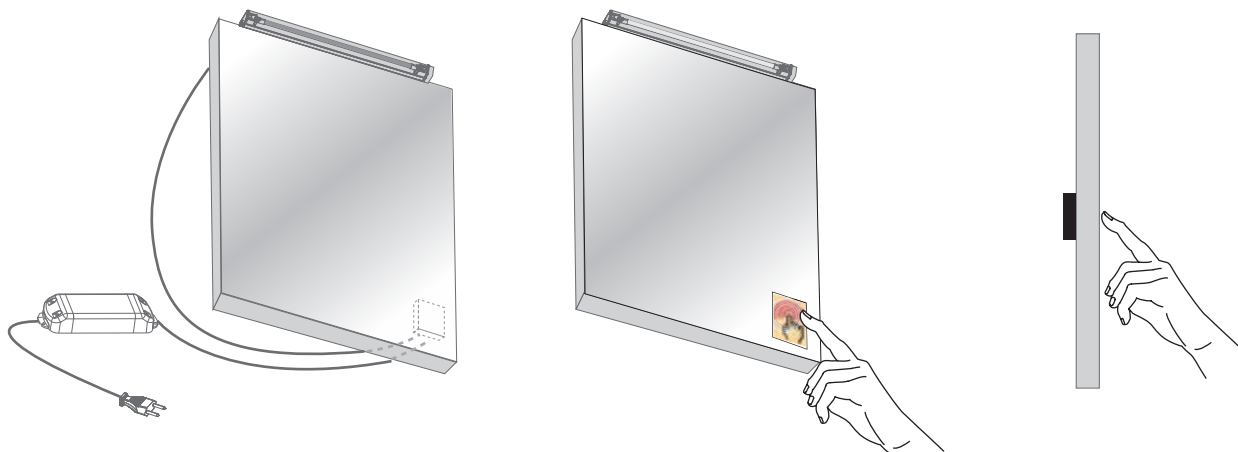
- ON/OFF

Switching technology single color	Ref.
Capacitive sensor 12 V / 24 V	2000495

Installation

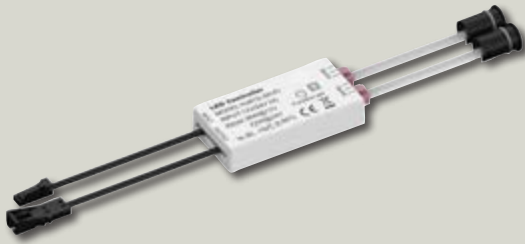


Operation



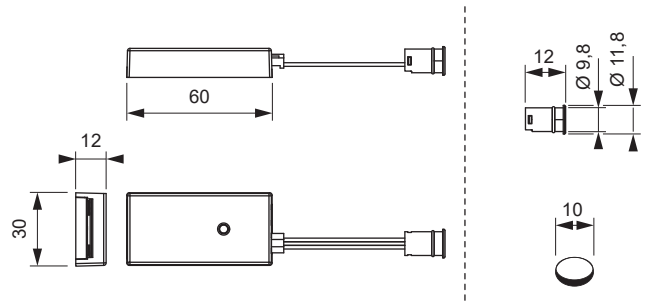
CONTROLS

Mini IR sensor switch



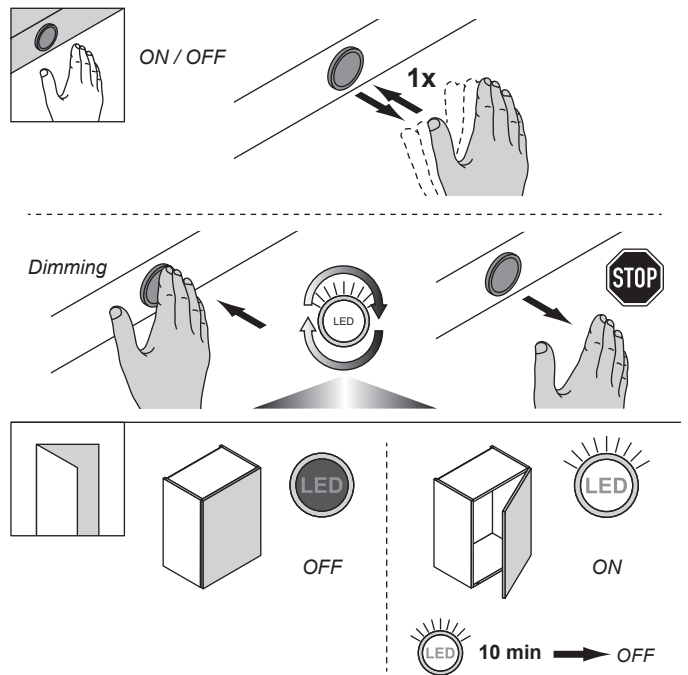
Product features:	<p>Sensor switch with wired IR sensor for 12 or 24 volt systems</p> <p>Two operating modes: door contact or contactless sensor switch, change via button on the housing</p> <p>Door contact mode: automatic OFF after 10 min.</p> <p>With slots for 2 sensors</p> <p>Installation dimension of the sensors only $\varnothing 9.8 \times 16.6$ mm</p> <p>Rated current max. 3 A (12 V: max. 36 W, 24 V: max. 72 W)</p>				
Operating voltage:	12 V / 24 V				
Max. power:	36.0 W / 72 W				
Color:	White (switch) / Black (sensor)				
Cable length:	<table border="0"> <tr> <td>pri.:</td> <td>2000 mm</td> </tr> <tr> <td>sec.:</td> <td>2000 mm</td> </tr> </table>	pri.:	2000 mm	sec.:	2000 mm
pri.:	2000 mm				
sec.:	2000 mm				

Dimensions



Functions

- **Sensor switch:**
ON/OFF, dimming
- **Door contact switch:**
ON/OFF



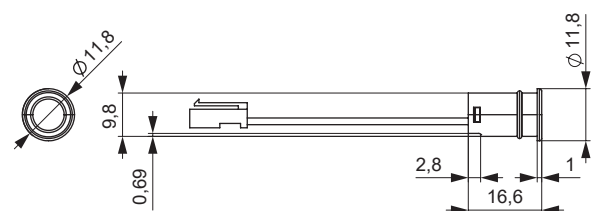
Switching technology single color	Voltage (V)	Ref.
Mini IR sensor switch - Set of 1	12	2000956
	24	2000958
Mini IR sensor switch - Set of 2	12	2000957
	24	2000959

Sensor IR/door contact, wired for Mini IR sensor switch



Functions:	Additional sensor for Mini IR sensor switch Max. range 50 mm
Cable length:	2000 mm

Dimensions



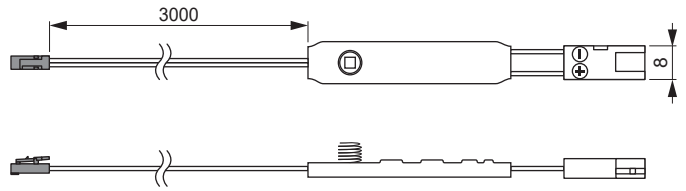
Switching technology single color	Color	Ref.
1 Sensor IR/door contact, wired	Black	941300049
2 Mounting housing		943900004

Tudo touch sensor 8 mm

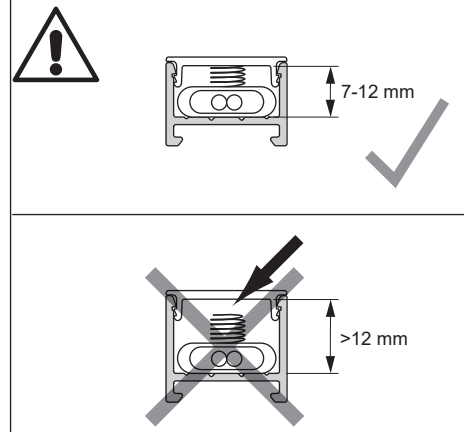
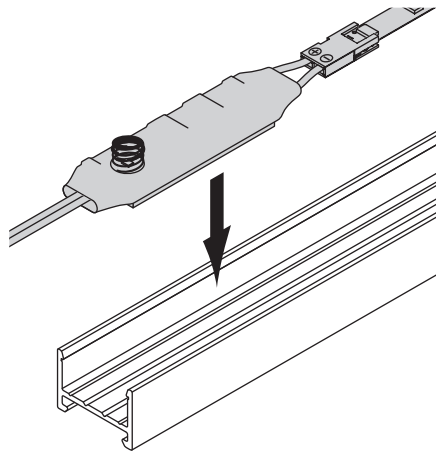
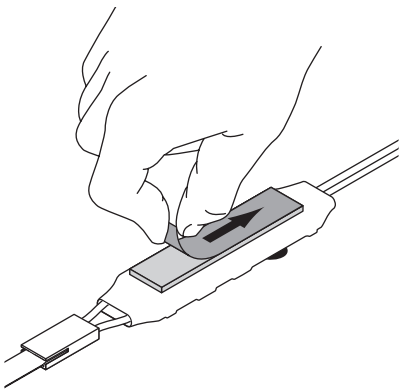


Product features:	Sensor switch ON/OFF, dimming For 8 mm Tudo strips Short press: ON/OFF, long press: dimming (2 steps) With connection cord 12 V and adapter cable for 24 V
Operating voltage:	DC 12/24 V
Dimensions:	8 mm
Current (Amp):	3 A
IP protection rating:	20
Color:	White
Cable length:	3000 mm

Dimensions



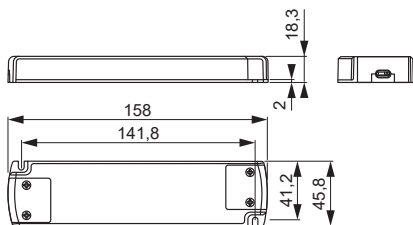
Switching technology single color	Ref.
Tudo touch sensor 12 / 24 V, 8 mm	2000888



Dimmable LED converter 12 V / 30 W



- Dimmable LED driver by trailing edge and leading edge dimmers, dimming range 20-100% (for most dimmers)
- Incl. 6 way distributor
- Cable length primary: 3000 mm

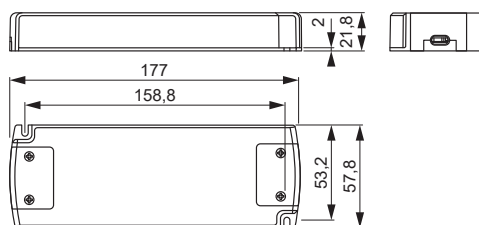


LED converter 230 V / 12 V	Power (W)	Ref.
Dimmable LED converter	6-30	2000568

Dimmable LED converter 12 V / 50 W



- Dimmable LED driver by trailing edge and leading edge dimmers, dimming range 20-100% (for most dimmers)
- Incl. 6 way distributor with 2x 3 A fuse
- Cable length primary: 3000 mm

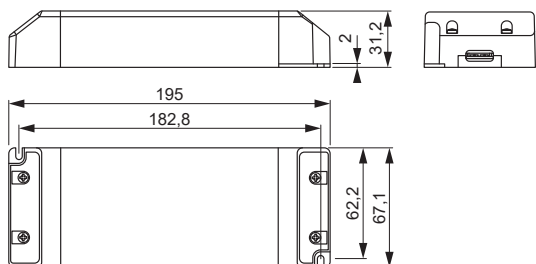


LED converter 230 V / 12 V	Power (W)	Ref.
Dimmable LED converter	19.2-50	2000570

Dimmable LED converter 12 V / 132 W

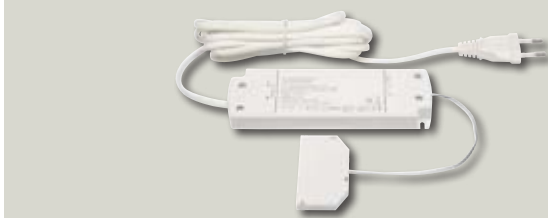


- Dimmable LED driver by trailing edge and leading edge dimmers, dimming range 10-100%
- Incl. 2x 6 way distributor with 2x 3 A fuse each
- Cable length primary: 3000 mm

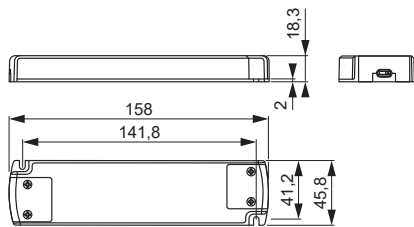


LED converter 230 V / 12 V	Power (W)	Ref.
Dimmable LED converter	48-132	2000572

Dimmable LED converter 12 V / 30 W



- Dimmable LED driver by trailing edge and leading edge dimmers, dimming range 20-100% (for most dimmers)
- Incl. 6 way distributor
- Cable length primary: 3000 mm

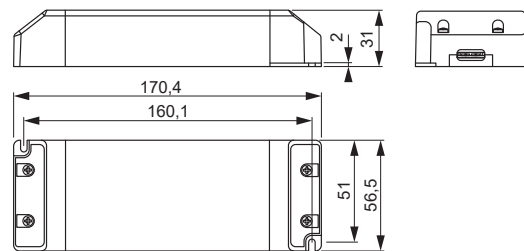


LED converter 230 / 24 V 30 W	Power (W)	Ref.
Dimmable LED converter	6-30	2000569

Dimmable LED converter 12 V / 75 W



- Dimmable LED driver by trailing edge and leading edge dimmers, dimming range 10-100%
- Incl. 12 way distributor with 3x 3 A fuse
- Cable length primary: 3000 mm

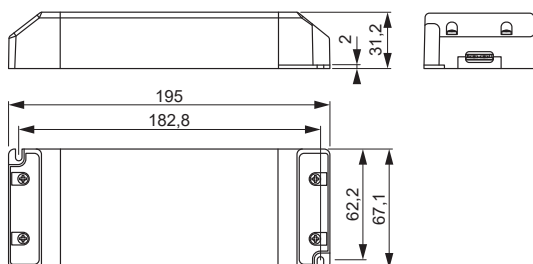


LED converter 230 / 24 V	Power (W)	Ref.
Dimmable LED converter	24-75	2000571

Dimmable LED converter 12 V / 150W



- Dimmable LED driver by trailing edge and leading edge dimmers, dimming range 10-100%
- Incl. 12 way distributor with 3x 3 A fuse
- Cable length primary: 3000 mm



LED converter 230 / 24 V	Power (W)	Ref.
Dimmable LED converter	48-150	2000573

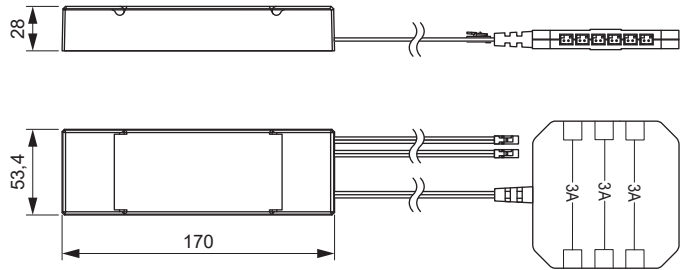
DALI Dim switch 72 W / 144 W



- DALI dimmer with 12-fold LED distributor
- AC Push, 0-10V, phase cut
- Operation of LED luminaires with separate LED converter

Operating voltage:	DC 12V
Max. power:	72 W (12 V) 144 W (24 V)
Max. current:	6 A
LED output:	12x Mini LED socket
Cable length:	pri.: - sec.: 200 mm

Dimensions



Functions

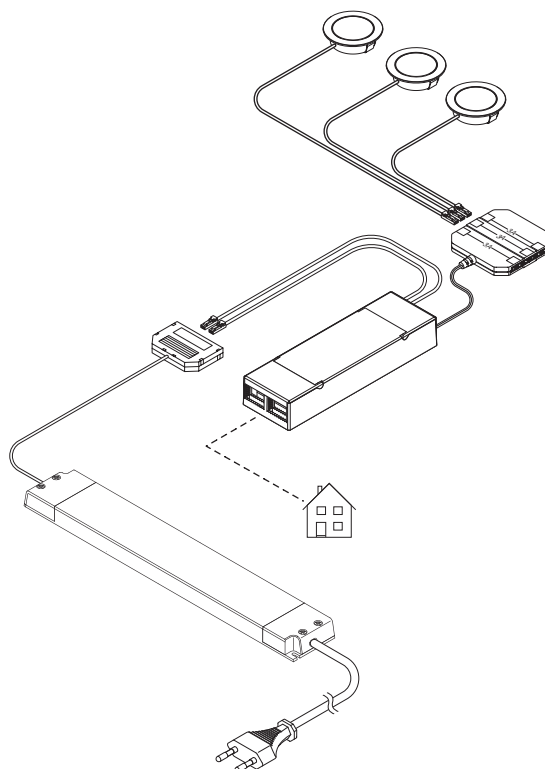
- ON/OFF
- Dimming

Connection options

- Phase Cut Dim
- DALi Bus
- AC Push
- 0-10 V

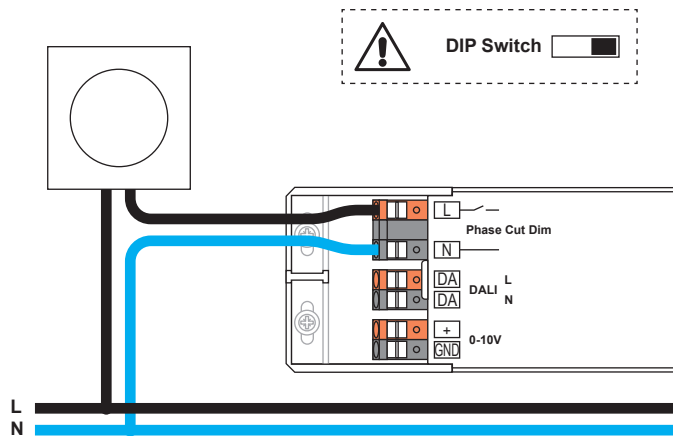
DALI Dimmer	Outputs	Ref.
12 V	12	2000984
24 V		2000985

Connection

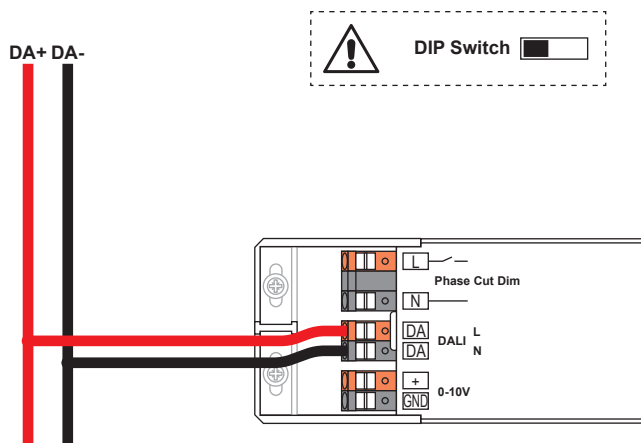


Connection diagram

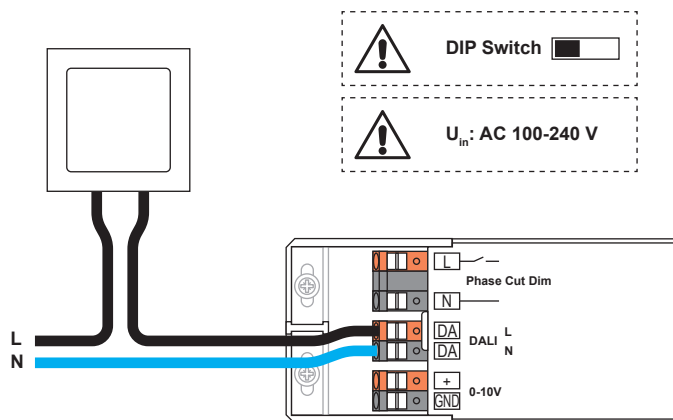
Phase Cut Dim



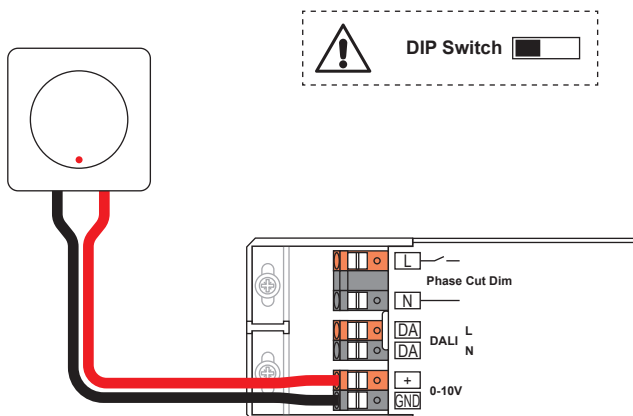
DALi Bus



AC Push



0-10 V

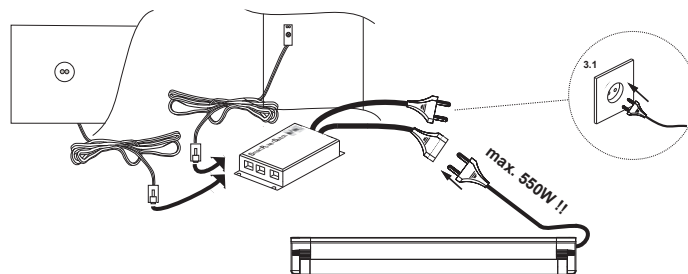


HV AC universal infrared sensor switch



Product features:	Non-contact sensor switch for connecting up to 3 sensors All lights or converters connected to the sensor switch are switched Order sensors separately! Automatic shutdown after approx. 8 hours without switching impulse
Operating voltage:	230 V
Max. power:	550 W
Color:	Black
Cable length:	pri.: 3000 mm sec.: 500 mm

Connection



Commissioning:

When first installed on the circuit, the connected sensor is calibrated. The installation is completed when the connected lamp flashes three times.

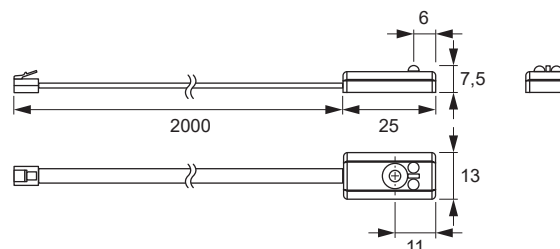
High voltage switching technology	Ref.
HV AC universal infrared sensor switch	2000454

IR Sensor universal surface-mounted



Product features:	Non-contact sensor switch for connecting SENSOR SWITCH UNIVERSAL
Detection area:	1 - 50 mm 90° downwards
IP protection class:	IP65
Color:	Black
Cable length:	2000 mm

Dimensions



Functions

- ON/OFF when approaching

High voltage switching technology	Ref.
IR Sensor universal surface-mounted	2000456

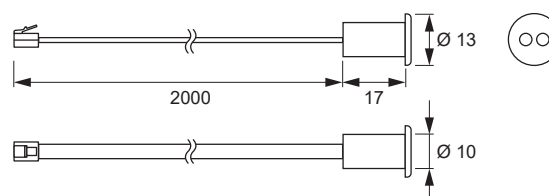
IR Sensor universal recessed



Product features:	Non-contact sensor switch for connecting SENSOR SWITCH UNIVERSAL
Detection area:	1 - 50 mm 90° downwards
Drilling dimensions:	10x17 mm
IP protection class:	IP65
Color:	Silver finish
Cable length:	2000 mm

The detection area of the sensor (approx. 10x10 mm) must be a bright, matt surface

Dimensions



Functions

- ON/OFF when approaching

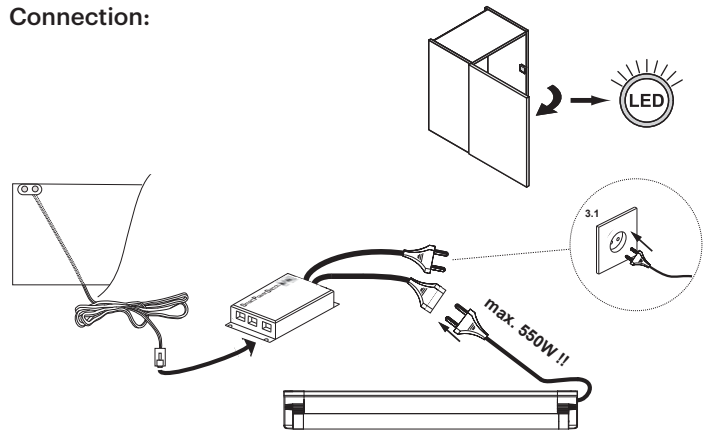
High voltage switching technology	Ref.
IR Sensor universal recessed	2000458

HV IR sensor switch door contact



Product features:	Non-contact door contact sensor switch for connecting up to 3 sensors behind rotating or sliding doors All lights or converters connected to the sensor switch are switched Order sensors separately! Automatic shutdown after approx. 8 hours without switching impulse
Operating voltage:	230 V
Max. power:	550W
Color:	Black
Cable length:	pri.: 3000 mm sec.: 500 mm

Connection:



Commissioning:

When first installed on the circuit, the connected sensor is calibrated. The installation is completed when the connected lamp flashes three times.

High voltage switching technology	Ref.
HV IR sensor switch door contact	2000455

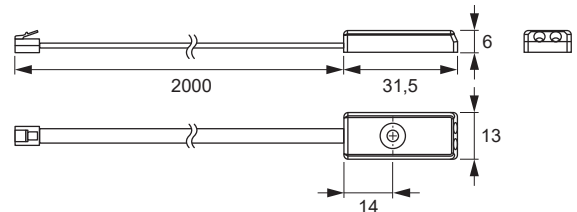
IR door contact sensor universal surface-mounted



Product features:	Non-contact sensor for connection to DOOR CONTACT SENSOR SWITCH UNIVERSAL
Detection area:	1 - 50 mm 90° downwards
IP protection class:	IP65
Color:	Black
Cable length:	2000 mm

The detection area of the sensor (approx. 10x10 mm) must be a bright, matt surface.

Dimensions



Functions

- ON/OFF when approaching, Door closed - „light off“
- Door open - „light on“

High voltage switching technology	Ref.
IR door contact sensor universal surface-mounted	2000457

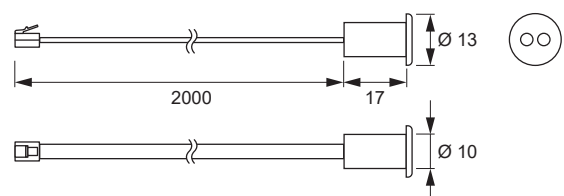
IR Sensor universal recessed



Product features:	Non-contact sensor switch for connecting SENSOR SWITCH UNIVERSAL
Detection area:	1 - 50 mm 90° downwards
Drilling dimensions:	10x17 mm
IP protection class:	IP65
Color:	Silver finish
Cable length:	2000 mm

The detection area of the sensor (approx. 10x10 mm) must be a bright, matt surface

Dimensions



Functions

- ON/OFF when approaching, Door closed - „light off“, Door open - „light on“

High voltage switching technology	Ref.
IR Sensor universal recessed	2000458

HV AC radio switch set



Product features: For convenient, remotely controlled lights and transformers
 Function: light ON/OFF by radio transmitter
 Up to 9 radio remote controls can be used with one radio switch
 Radio remote control can also be installed as a wireless recessed switch Ø 35 mm

Operating voltage: AC 230 V

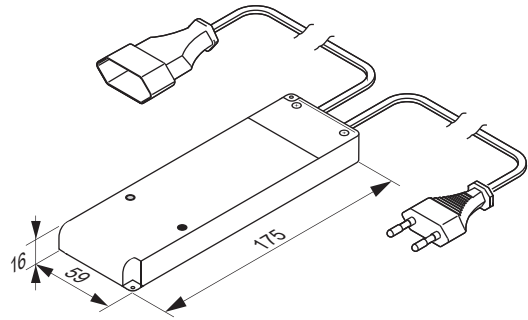
Max. power: 575 W

Radio frequency: 433.9 MHz

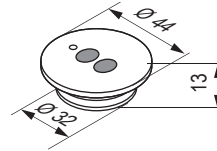
Color: White/Silver

Cable length: pri.: 2000 mm
 sec.: 500 mm

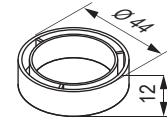
Dimensions



Remote control



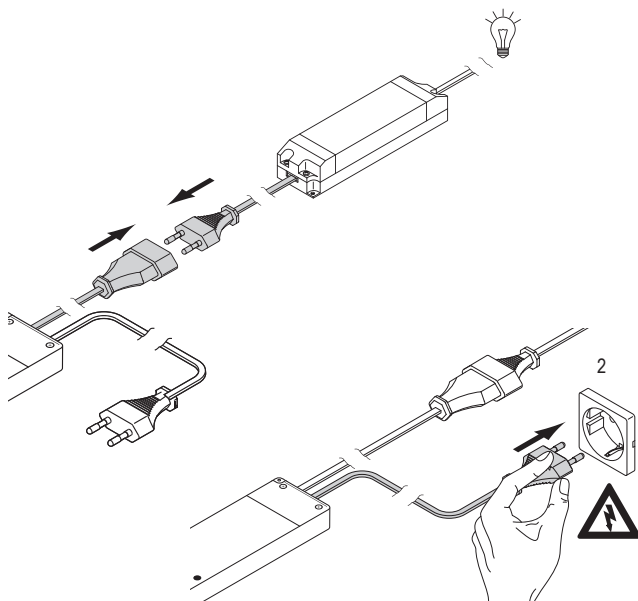
Spacer ring



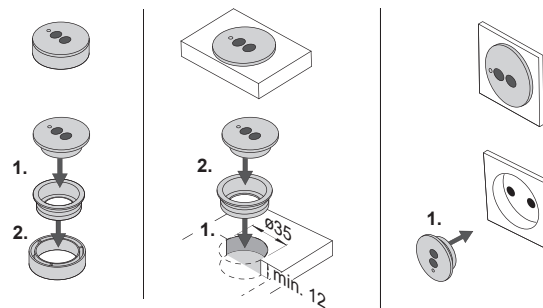
NOTE:

The radio switch and its antenna must maintain a minimum distance of 0.5 m from transformers, ballasts and other electrical devices (e.g. microwaves, stereo and TV systems). Installation on or behind metallic coated foils is not permitted.

High voltage switching technology		Ref.
1	HV AC radio switch set	2000459
2	Single remote control with mounting ring	2000460
3	Spacer ring for remote control	2000461



Installation of remote control

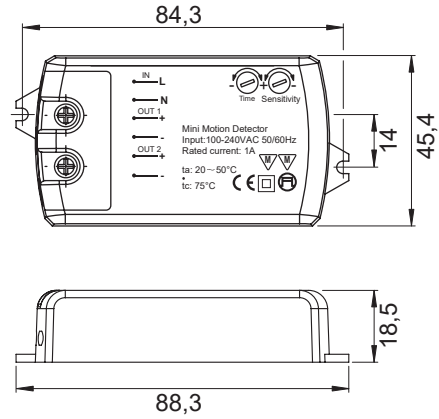


Microwave Sensor 230 V



- Product features:** External recessed motion detector
Installation behind fronts
Switching for LED luminaires
- Operating voltage:** AC 230 V
- Max. power:** 230 W
- Max. runtime:** 10-600 Sek.
- Detection distance:** 0-8000 mm to front
- Detection angle:** 130°
- Detection distance:** 15 m
- Color:** White
- Cable length:** pri.: 2000 mm
sec.: 300 mm

Dimensions



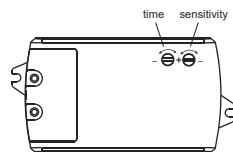
NOTE:

The radio switch and its antenna must maintain a minimum distance of 0.5 m from transformers, ballasts and other electrical devices (e.g. microwaves, stereo and TV systems). Installation on or behind metallic coated foils is not permitted.

Microwave Sensor 230 V	Ref.
Microwave Sensor 230 V	2000527



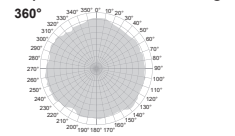
Adjustable sensitivity



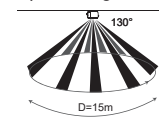
Adjustable delay: 10s-10Min

Detection area:

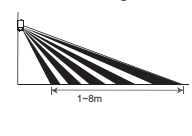
Top View Detection Range



top mounting

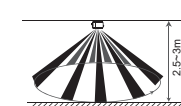


side mounting

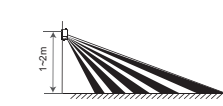


Installation position:

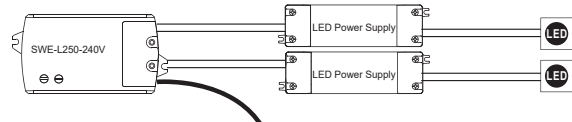
top mounting



side mounting



Rated input voltage: AC100-240V



Rated output voltage: AC100-240V

Accessories.



ACCESSORIES



236
TOKI



236
SOCKETS 230 V



240
USB SOCKETS



241
**WIRELESS
CHARGER**



242
CABLE DUCTS



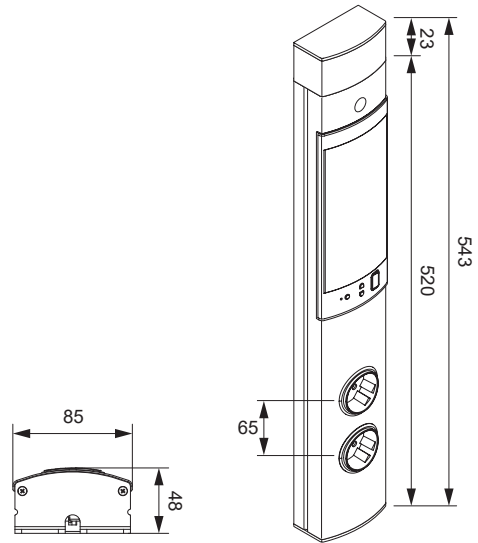
243
**CONNECTION
CABLES**

ToKi II combi device 230 V



- Product features:**
- Double Schuko socket
 - Integrated speaker
 - Bluetooth connection for audio playback
 - USB port for charging smartphones etc
 - Vertical installation under wall cupboards, shelves or on niche rear walls
 - Adjustable in height
- Operating voltage:** AC 230 V
- Color:** Stainless steel look
- Cable length:** 2000 mm, plug type F enclosed loose

Dimensions



Sockets 230 V	Ref.
ToKi II combi device 230 V	2000467

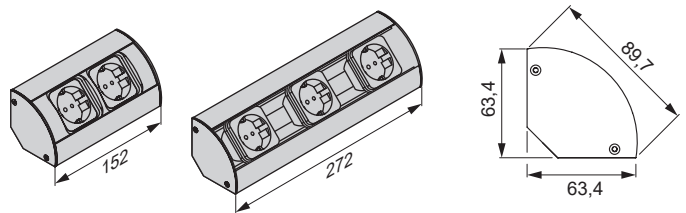
Corner socket bar



- Operating voltage:** AC 230 V
- Max current:** 16 A
- Color:** Stainless steel
- Cable length:** 1800 mm with ferrules

Euro plug included loose

Dimensions



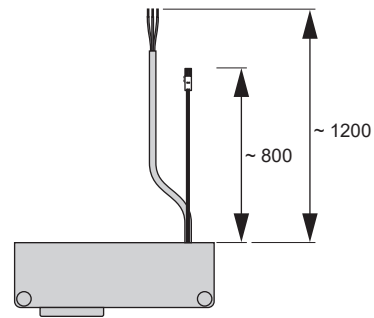
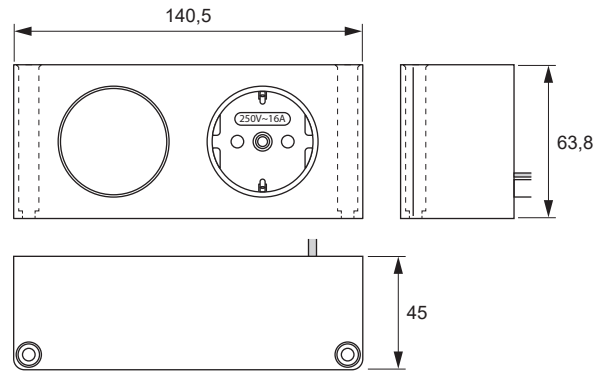
Sockets 230 V	Ref.
Corner Double Socket bar	2000804
Corner Triple Socket bar	2000803

Emotion control-socket combi type F 230 V



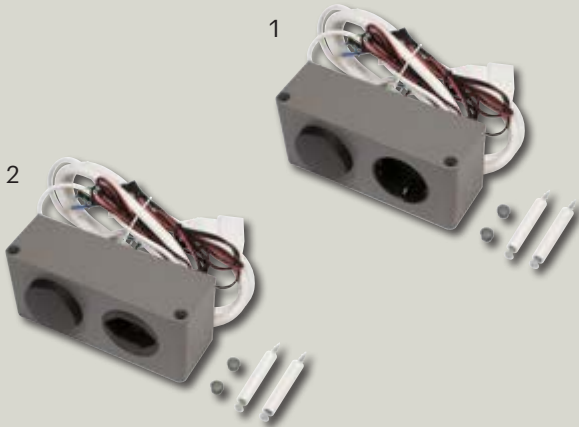
Product features:	With integrated LED converter Emotion control 12 V / 20 W, operation via rotary switch Short press: ON/OFF Long press: dimming Rotate: change color temperature Socket type F WITH MEMORY FUNCTION
Operating voltage:	AC 230 V
Max. power:	20 (12 V)
Max. current:	1.67 A (12 V) / 16 A (230 V)
Color:	Quartz gray (NCS code - S 6500-N)
Cable length:	pri.: 1200 mm, sec.: 800 mm

Dimensions



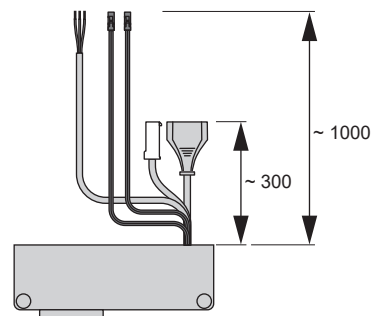
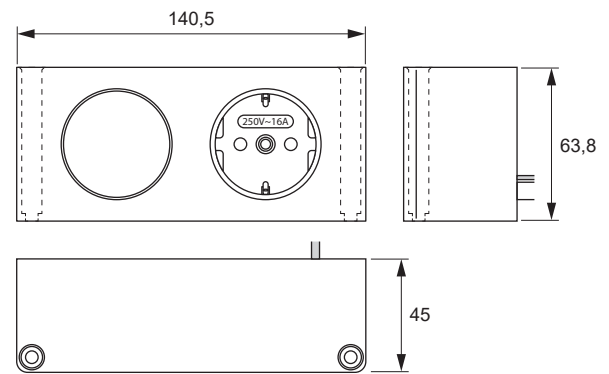
Emotion control-socket combi type F 230 V	Ref.
Emotion control-socket combi type F 230 V	941100007

Emotion control-socket combi type F 230 V, w/o LED converter



Product features:	Operation of an external Emotion control via rotary switch Short press: ON/OFF Long press: dimming Rotate: change color temperature Socket type F WITH MEMORY FUNCTION
Operating voltage:	AC 230 V
Max. power:	60 W (12 V) / 3680 W (230 V)
Max. current:	5 (12 V) / 16 (230 V)
Color:	Quartz gray (NCS code - S 6500-N)
Cable length:	pri.: 2x1000 (12 V), 1000 (230 V) mm sec.: 300 (12 V), 300 (230 V) mm

Dimensions

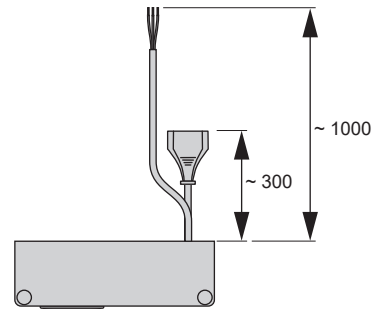
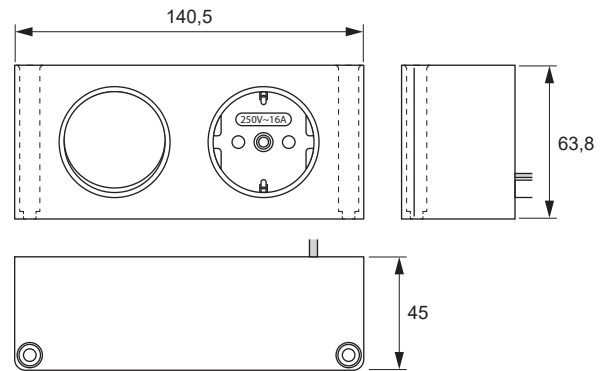


Emotion control-socket combi type F 230 V, w/o LED converter	Ref.
1 Emotion control-socket combi type F	941100008
2 Emotion control-socket combi type J	941100009

Switch socket



Product features:	Surface-mounted socket with ON/OFF switch Secondary 300 mm cable with Euro socket
Operating voltage:	AC 230 V
Max. power:	3680 W
Max. current:	16 A (Typ F / 2.5 A (Typ C)
Color:	Quartz gray (NCS code - S 6500-N)
Cable length:	pri.: 1000 mm sec.: 300 mm

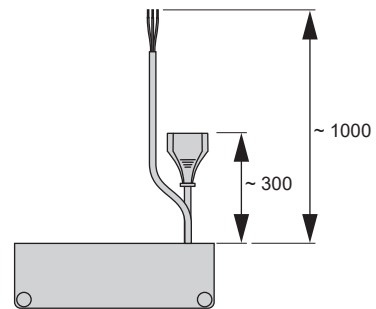
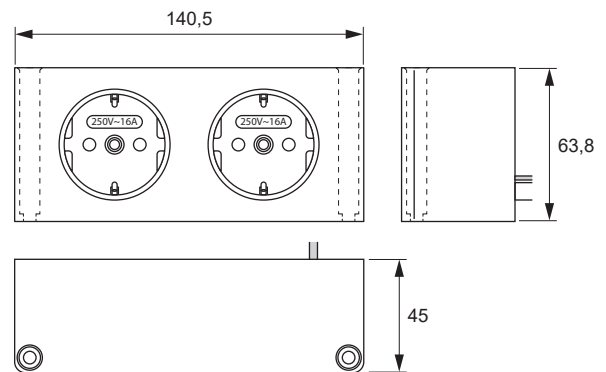


Sockets 230 V	Ref.
Switch socket type F (DE)	941100002

Double socket



Product features:	Surface-mounted double socket Type F Secondary 300 mm cable with Euro socket
Operating voltage:	AC 230 V
Max. power:	3680 W
Max. current:	16 A
Color:	Quartz gray (NCS code - S 6500-N)
Cable length:	pri.: 1000 mm, sec.: 300 mm



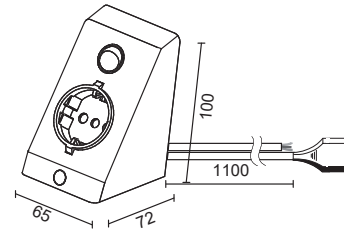
Sockets 230 V	Ref.
Double socket type F (DE)	941100003

Switch socket combi DE 230 V



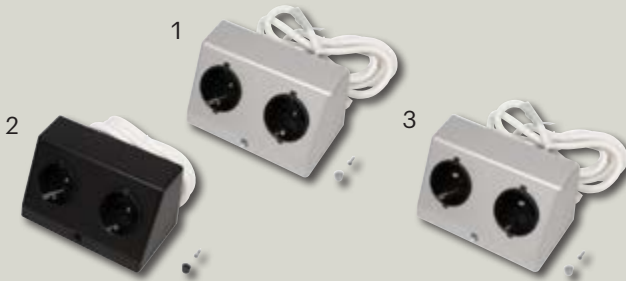
Product features:	Surface-mounted socket with ON/OFF switch
Operating voltage:	AC 230 V
Max. power:	575 W
Max. current:	16 A (socket)
Color:	Silver finish
Cable length:	pri.: 800 mm sec.: 800 mm

Dimensions



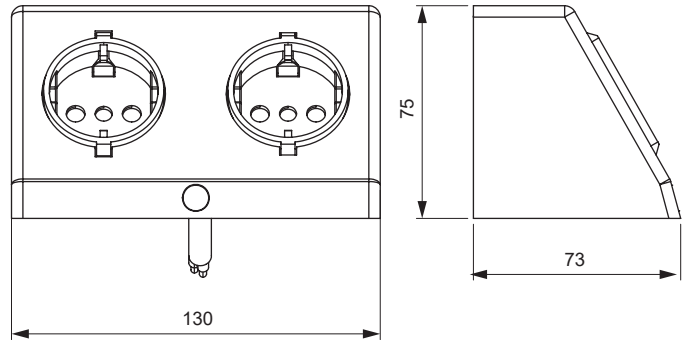
Sockets 230 V	Ref.
Switch socket combi DE 230 V	2000465

Double socket type F / E



Product features:	Double mounting socket
Operating voltage:	AC 230 V
Max. power:	3680 W
Max. current:	16 A
Color:	Silver finish
Cable length:	1100 mm

Dimensions

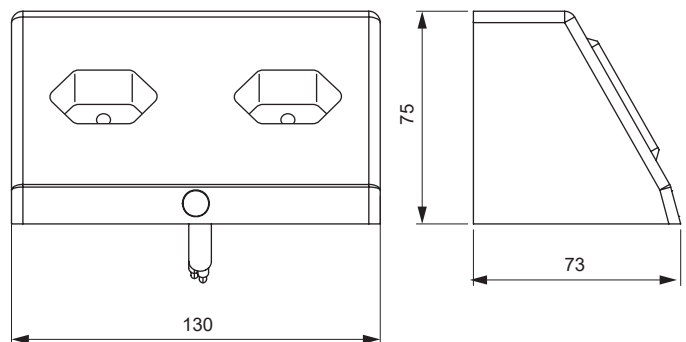


Sockets 230 V		Color	Ref.
1	Double socket type F (DE)	Silver finish	2000466
2		Black	941100005
3	Double socket type E (FR)	Silver finish	941100004

Double socket type J

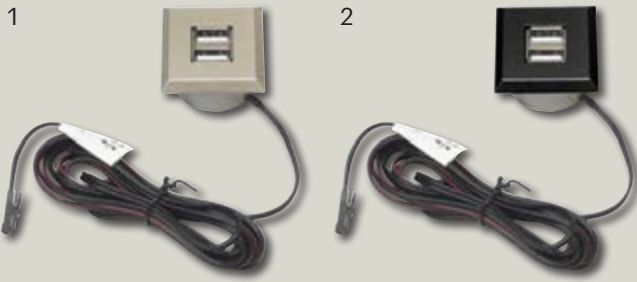


Product features:	Double mounting socket
Operating voltage:	AC 230 V
Max. power:	3680 W
Max. current:	16 A
Color:	Silver finish
Cable length:	1100 mm



Sockets 230 V	Ref.
Double socket CH	941100006

USB double socket 12 V



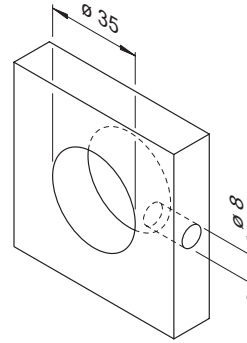
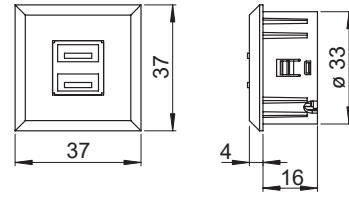
Product features: For charging e.g. smartphones or tablets
For niche rear walls, desks or bedside tables
Installation depth of just 16 mm
Compatible with L&S drivers ≥ 10.5 W

Operating voltage: DC 12 V

Max. current: 1x2.1 A or 2x1.05 A

Cable length: 1800 mm

Dimensions



Sockets 12 V		Color	Ref.
1	USB double socket 12 V	Stainless steel finish	2000462
2		Black	2000526

USB-C/A socket 12 V



Product features: For charging e.g. smartphones or tablets
For niche rear walls, desks or bedside tables
Installation depth of just 16 mm
Compatible with L&S drivers ≥ 20 W

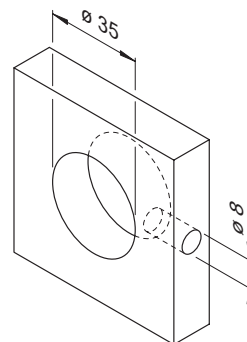
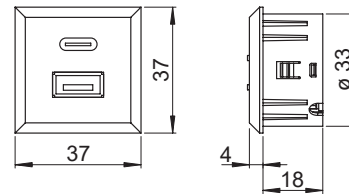
Operating voltage: DC 12 V

Max. power: 18 W

Max. current: 3 A (5 V), 2 A (9 V), 1.5 A (12 V)

Cable length: 1800 mm

Dimensions



Sockets 12 V		Color	Ref.
USB A / C socket 12 V		Black	941100001

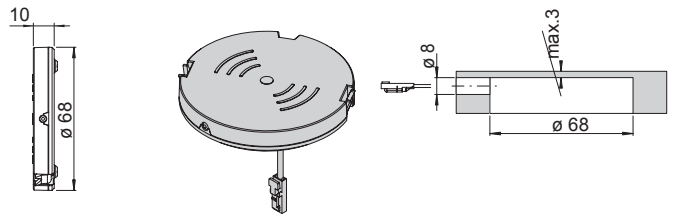
Wireless Charger 12 V



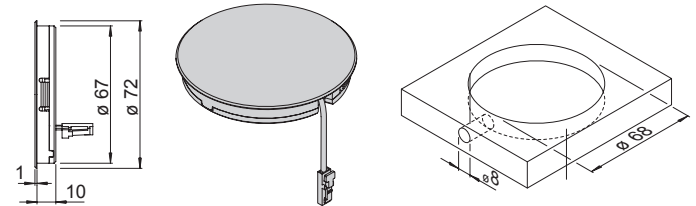
- Product features:** Wireless charging of devices with induction batteries
For shelves, desks, worktops or bedside tables
Compatible with L&S drivers ≥ 20 W
Qi compatible
- Operating voltage:** DC 12 V
- Output voltage:** DC 5 V
- Max. current:** 1.65 A
- Color:** Black
- Cable length:** 1800 mm

Dimensions

Concealed installation



Visible installation



Wireless Charger 12 V		Color	Ref.
1	Wireless Charger 12 V concealed	Black	2000642
2	Wireless Charger 12 V visible	Stainless steel finish	2000643
3		Black	2000644

Cable duct 10x5 mm



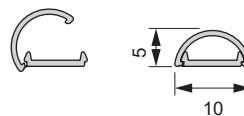
Product features: Adhesive fixing
To open

Material: Plastic

Color: Gray

Dimensions: 1200 / 10 / 5 / Ø

Dimensions



Accessories	Color	Ref.
Cable duct 10x5	Gray	2000468
	Black	754400158
	White	754400157

Cover for cable duct 10x5



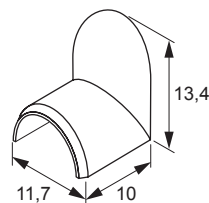
Product features: To cover the cable gland
Adhesive fixing

Material: Plastic

Color: Gray

Dimensions: 10x11,7x13,4

Dimensions



Accessories	Color	PU	Ref.
Cover for cable duct 10x5	Gray	10 pcs.	2000470
	Black		754900004
	White		754900005

Cable holder 250 pcs.



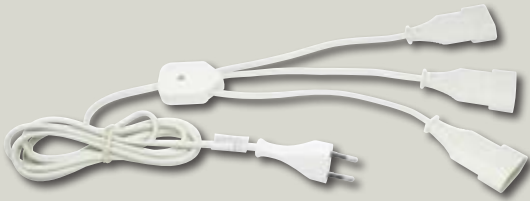
Product features: To stick on

Material: Aluminum

Dimensions

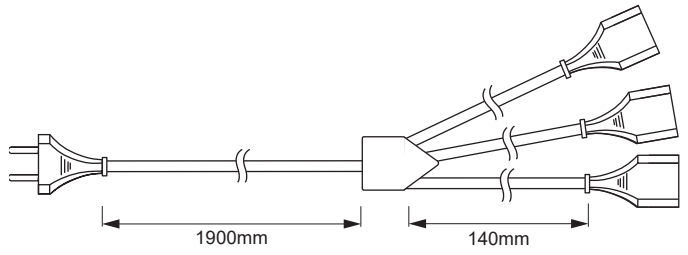
Accessories	PU	Ref.
Cable holder	250 pcs.	2000469

HV Y-distributor



Product features:	Y-distributor with 3x Euro socket and 1x Euro flat plug type C
Operating voltage:	AC 230 V
Max. power:	575 W
Max. current:	2.5 A
Color:	White
Cable length:	pri.: 1900 mm sec.: 140 mm

Dimensions



Accessories	Ref.
HY Y-distributor	2000647

PROFILE	COVER	TUDO 4.8 / 60 LEDS TUDO HE 2.8 / 80 LEDS		TUDO 7.2 / 90 LEDS TUDO HE 4.3 / 80 LEDS		TUDO 7.2 / 120 LEDS		TUDO 7.2 / 240 LEDS		TUDO 9.6 / 120 LEDS TUDO HE 6.3 / 112 LEDS		TUDO 14.4 / 120 LEDS TUDO HE 8.6 / 160 LEDS		TUDO HE 11.5 / 200 LEDS		TUDO EMOTION 7.8 / 60+60 LEDS		TUDO EMOTION 7.2 / 120+120 LEDS TUDO HE EMOTION 4.0 / 112+112 LEDS		TUDO EMOTION 15.5 / 120+120 LEDS TUDO HE EMOTION 9.8 / 112+112 LEDS		RGB STRIP 7.2 / 36 LEDS		RGB STRIP 14.4 / 60 LEDS RGB STRIP 7.2 / 60 LEDS		
		S	S	N	H	N	N	H	S	N	N	S	N	S	S	S	S	S	S	S	S	S	S	S	S	S
Mec Porto 2	Opal	S	S	N	H	N	N	H	S	N	N	S	S	S	S	S	S	S	S	S	S	S	S	S	S	S
Mec Porto 2 Mini	Opal	S	S	N	H	N	N	H	S	N	N	S	S	S	S	S	S	S	S	S	S	S	S	S	S	S
Mec Manila IV	Opal	N	N	H	H	H	H	H	S	H	H	S	H	H	S	H	H	S	H	H	S	H	H	S	H	H
	Black	N	N	H	H	H	H	H	S	H	H	S	H	H	S	H	H	S	H	H	S	H	H	S	H	H
Mec Manila	Opal	N	N	H	H	H	H	H	N	H	H	N	H	H	N	H	H	N	H	H	S	H	H	S	H	H
Mec Venice Mini	Opal	S	S	S	S	S	N	S	S	S	S	S	S	S	S	S	S	S	S	S	S	S	S	S	S	S
	Black	S	S	S	S	S	S	S	S	S	S	S	S	S	S	S	S	S	S	S	S	S	S	S	S	S
Mec London	Opal	S	S	S	N	S	S	N	S	S	S	N	S	S	S	S	S	S	S	S	S	S	S	S	S	S
	Black	S	S	S	S	S	S	N	S	S	S	N	S	S	S	S	S	S	S	S	S	S	S	S	S	S
Mec Paris	Opal	S	S	S	N	S	S	N	S	S	S	N	S	S	S	S	S	S	S	S	S	S	S	S	S	S
	Black	S	S	S	S	S	S	N	S	S	S	N	S	S	S	S	S	S	S	S	S	S	S	S	S	S
Mec Prag	Opal	H	H	H	H	H	H	H	H	H	H	H	H	H	H	H	H	H	H	H	S	H	H	S	H	N
Mec Manila Plus R	Opal	S	S	S	N	S	N	H	N	S	N	H	N	S	S	S	S	S	S	S	S	S	S	S	S	S
Mec Malindi	Opal	N	H	H	H	H	H	H	N	H	H	N	H	H	N	H	H	N	H	H	S	H	H	S	H	N
Mec Porto 1	Opal	S	S	N	H	N	N	H	S	N	N	S	N	N	S	N	N	S	N	N	S	N	N	S	N	S
Mec Porto 1 Mini	Opal	S	S	N	H	N	N	H	S	N	N	S	N	N	S	N	N	S	N	N	S	N	N	S	N	S
Mec Porto 3	Opal	S	S	N	H	N	N	H	S	N	N	S	N	N	S	N	N	S	N	N	S	N	N	S	N	S
Mec Porto 5	Opal	S	S	N	H	N	N	H	S	N	N	S	N	N	S	N	N	S	N	N	S	N	N	S	N	S
Mec Porto 6 Mini	Opal	N	N	H	H	H	H	H	N	H	H	N	H	H	N	H	H	N	H	H	S	H	H	S	H	N
Mec Bali	Opal	S	N	N	H	H	H	H	N	N	N	N	N	N	S	N	N	N	N	N	S	N	N	S	N	N
Mec WTU	Opal	H	H	H	H	H	H	H	H	H	H	H	H	H	H	H	H	H	H	H	N	H	H	N	H	H
Mec Quattro Mini	Opal	N	N	H	H	H	H	H	N	H	N	S	H	N	S	H	N	S	H	N	S	H	N	S	H	N
Mec Quattro	Opal	H	H	H	H	H	H	H	H	H	H	H	H	H	H	H	H	H	H	H	H	H	H	H	H	H
Mec Derby II	Opal	S	S	S	S	S	S	N	S	S	S	N	S	S	S	S	S	S	S	S	S	S	S	S	S	S
Mec Rack	Opal	N	H	H	H	H	H	H	N	H	H	N	H	H	N	H	H	N	H	H	*	H	H	*	H	H
Mec Neo	Opal	S	S	S	S	*	*	*	S	S	*	S	S	*	S	S	*	S	S	*	S	S	*	S	S	*
Mec Vedula	Opal	S	S	N	H	*	*	*	S	S	*	S	S	*	S	S	*	S	S	*	S	S	*	S	S	*
Mec Glass	-	S	S	S	S	S	S	S	S	S	S	S	S	S	S	S	S	S	S	S	S	S	S	S	S	S
Mec Fly	-	S	S	S	S	S	S	S	S	S	S	S	S	S	S	S	S	S	S	S	S	S	S	S	S	S
Mec Lagos I	Opal	H	H	H	H	H	H	H	H	H	H	H	H	H	H	H	H	H	H	H	N	H	H	N	H	H
Mec Lagos II	Opal	H	H	H	H	H	H	H	H	H	H	H	H	H	H	H	H	H	H	H	N	H	H	N	H	H
Mec Lagos III	Opal	N	H	H	H	H	H	H	N	H	H	N	H	H	N	H	H	N	H	H	S	H	H	S	H	H
Mec Venice A	Opal	H	H	H	H	H	H	H	H	H	H	H	H	H	H	H	H	H	H	H	H	H	H	H	H	H
Mec Kel	Opal	N	N	H	H	H	H	H	S	H	H	S	H	H	S	H	H	S	H	H	S	H	H	S	H	N
Mec Basel	Opal	N	N	H	H	H	H	H	S	H	H	S	H	H	S	H	H	S	H	H	S	H	H	S	H	N

- H** Homogeneous light emission, no LED dots visible
- N** Almost homogeneous light emission, LED dots marginally visible
- S** No homogeneous light emission. LED points visible
- * Combination not possible. No heat sink or dimensions not compatible



Light with emotion function: the color temperature can be continuously adjusted from warm white to cool white.



Light with Emotion Dual Color: The color temperature can be continuously adjusted from warm white to natural white or switched via adapter cable.



Extra warm white light emission: Color temperature approx. 2700 K



Warm white light emission: Color temperature approx. 3000 K



Natural white light emission: Color temperature approx. 4000 K



Cool white light emission: Color temperature approx. 6000 K



Luminaire with RGB function: The light color can be infinitely adjusted.



The product complies with the applicable requirements set out in the Community harmonization legislation providing for its affixing.



The marked appliance must not be disposed of with normal household waste, but must be collected separately.

Protection class I: All electrically conductive housing parts of the equipment are connected to the protective conductor system of the fixed electrical installation, which is at earth potential.



Protection class II: Protective insulation, all parts are insulated from each other. The protective conductor must not be connected.



Protection class III: safety extra-low voltage below 120 V DC. Double insulation between mains circuits and output voltage. Lights require a SELV safety transformer.



Independent lamp control gear with a surface temperature of less than 110°C.



Safety Extra Low Voltage (SELV). Electrical voltage that offers special protection against electric shock due to its low level and insulation against higher voltage circuits.



Battery operated



WLAN



Recessed light



Battery operated



¹ Bluetooth



Surface-mounted light



Operating voltage

12 VDC



² iOS compatible



Dimmable



24 V DC



³ Android compatible



Length of the power cord



220-240 VAC



Operating current



Zigbee connection possible



Zigbee certified

¹ Bluetooth is a registered trademark of Bluetooth SIG Inc.

² Apple, the Apple logo, App Store, iPad, iPhone, iTunes are trademarks of Apple Inc. registered in the U.S. and other countries.

³ Google Store, Google Home, Android and the Android logo are trademarks or registered trademarks of Google LLC

Luminous flux	Luminous flux is the amount of light emitted by a light source and is expressed in lumens (lm).
Luminous efficacy	The luminous efficacy is the ratio of the luminous flux to the electrical power consumed (lm/W). It is the measure of the efficiency of the light source.
Illuminance	Illuminance describes the luminous flux that strikes a surface. It is given in lux (lx = lm/m ²). It is therefore a measure of the brightness with which a surface is illuminated.
Beam angle	The beam angle influences the diameter of the light cone created by the LED luminaire.
Color temperature	The color temperature describes the color impression of a white light source. It is specified in Kelvin (K). The lower the color temperature, the warmer the light. The higher the color temperature, the colder the light. White light sources with a color temperature < 3300 K are referred to as „warm white“, 3300-5300 K as „neutral white“ and light sources > 5300 K as „cool white“
Color binning	LEDs are sorted according to color temperature. The color deviations of the LEDs depend on the fineness of the binnings.
Color rendering index (CRI)	The color rendering index is a value used to describe the quality of the color rendering of light sources at the same color temperature. The higher the value, the better the color rendering. The value 100 corresponds to the color rendering of daylight.
Energy efficiency class	The energy efficiency class provides information about the corresponding energy consumption. Lamps and luminaires are categorized in classes G to A.

Additional safety and installation instructions

Read the safety and installation instructions carefully before installation and keep them together with the installation instructions.

Installation may only be carried out by qualified specialist personnel.

Risk of injury: LEDs shine very brightly. There is a risk of glare and eyes can be damaged. Never look directly into the light source!

Intended use

The product is intended for indoor use

Installation with approved L&S system accessories

Installation and use must be carried out in accordance with the technical data of the respective product.

Particular attention must be paid to

- the permissible power supply
- minimum / maximum load
- max. length of LED strip and cable

Improper use

The product is not intended for use when rolled up.

Avoid installation on uneven or poorly thermally conductive surfaces (e.g. plasterboard, wallpaper, stone). This can considerably reduce the service life and the adhesion of the adhesive tape is not guaranteed.

Do not use in damp or dusty environments without appropriate protective measures.

Do not remove or reuse LED tape that has already been applied.

Installation

- Disconnect the system completely from the power supply during installation and maintenance work. Failure to do so may damage the LED strip.
- Take protective measures against electrostatic discharge (ESD) during installation.
- Observe polarity. The LED strip may be damaged if the polarity is incorrect.
- Mount the LED strip in the aluminum profile or on a heat sink to ensure sufficient cooling.
- Check the LED strip for proper function before bonding.
- Remove grease, oil, dirt and dust from the mounting surface.
- Do not damage or interrupt the conductor tracks. The LED strip can be separated at the marked points (scissor symbol).
- Avoid mechanical stress on the electronic components and connection points.
- Maintain a bending radius of at least 3 cm
- Do not bend over edges.
- Ensure that the power supply is freely accessible for installation, maintenance and repair work.

General notes

A slight deviation in brightness and color of the LEDs is production-related. This does not constitute a defect.

Index.

Ref.	NAME	PAGE	and	Ref.	NAME	PAGE	and
2000001	Moonlight 58 12 V	118		2000139	Derby II	90	
2000002	Moonlight 58 12 V	118		2000140	Derby II	90	
2000003	Moonlight 68 12 V	118		2000141	Derby II	90	
2000004	Moonlight 68 accessories	119		2000142	Bali	94	
2000007	PanLight	122		2000143	Bali	94	
2000008	PanLight	122		2000144	Bali	94	
2000009	Chip 58 12 V	124		2000145	Bali	94	
2000010	Chip 58 12 V	124		2000174	Lilium	108	
2000011	Chip 58 12 V	124		2000177	Space Light	166	
2000012	Chip 58 accessories	125		2000178	Space Light	166	
2000013	Chip 58 12 V	124		2000179	Space Light	166	
2000014	Chip 58 12 V	124		2000180	Area Light	170	
2000015	Chip 68 12 V	126		2000181	Area Light	170	
2000016	Chip 68 12 V	126		2000182	Area Light	170	
2000017	Chip 68 12 V	126		2000183	Area Light	170	
2000018	Chip 68 accessories	117	137	2000184	Area Light	170	
2000019	Nova Plus 68 12 V	130		2000185	Area Light	170	
2000020	Nova Plus 68 12 V	130		2000186	Legis	168	
2000021	Nova Plus 68 accessories	131		2000187	Legis	168	
2000022	Nova Plus 68 accessories	131		2000203	Snite LED	100	
2000023	Nova Plus 78 12 V	130		2000204	Snite LED	100	
2000029	Superlight	132		2000205	Snite LED	100	
2000030	Superlight	132		2000206	Snite LED	100	
2000031	Superlight	132		2000207	Snite LED	100	
2000032	Chip L 58 12 V	134		2000208	Snite LED	100	
2000033	Chip L 58 12 V	134		2000209	Snite LED	100	
2000034	Chip L 58 12 V	134		2000210	Snite LED	100	
2000036	Chip L 58 12 V	134		2000211	Snite LED	100	
2000037	Chip L 58 12 V	134		2000212	Snite LED	100	
2000040	Chip L 68 12 V	136		2000213	Snite LED	100	
2000047	Flex Spot	138		2000214	Snite LED	100	
2000048	Flex Spot	138		2000216	Snite LED	101	198
2000049	Flex Spot	138		2000223	Strip Flex	55	
2000050	Super Spot	140		2000224	Strip Flex	55	
2000051	Super Spot accessories	140		2000225	Strip Flex	55	
2000052	Super Spot S	142		2000226	Strip Flex cable	55	
2000053	Moonlight HV	144		2000227	Strip Flex cable	55	
2000054	Moonlight HV	144		2000230	Octopus	47	
2000055	Moonlight HV accessories	145		2000231	Octopus	47	
2000056	Base	152		2000234	Tudo 4.8 12 V	37	
2000069	Matrix	154		2000235	Tudo 4.8 12 V	37	
2000070	Matrix	154		2000236	Tudo 4.8 12 V	37	
2000073	Glaspoint	160		2000238	Tudo 4.8 12 V	37	
2000074	Woodpoint	160		2000239	Tudo 4.8 12 V	37	
2000079	Plug-in power supply	165		2000240	Tudo 4.8 12 V	37	
2000088	Malindi	76		2000241	Tudo 4.8 12 V	37	
2000089	Malindi	76		2000242	Tudo 7.2 12 V	38	
2000090	Malindi	76		2000243	Tudo 7.2 12 V	38	
2000091	Malindi	76		2000244	Tudo 7.2 12 V	38	
2000092	Malindi	76		2000245	Tudo 7.2 12 V	38	
2000093	Manila IV	78		2000246	Tudo 9.6 12 V	39	
2000094	Manila IV	78		2000247	Tudo 9.6 12 V	39	
2000095	Manila IV	78		2000248	Tudo 9.6 12 V	39	
2000096	Manila IV	78		2000250	Tudo 9.6 12 V	39	
2000097	Manila IV	78		2000251	Tudo 9.6 12 V	39	
2000098	Manila IV	78		2000252	Tudo 9.6 12 V	39	
2000099	Manila IV	78		2000253	Tudo 9.6 12 V	39	
2000107	Nubio	86		2000254	Tudo Emotion 15.5 12 V	42	
2000108	Nubio	86		2000255	Tudo Emotion 7.2 12 V	40	
2000114	Kiton EDC	88		2000256	Tudo Emotion 7.8 12 V	41	
2000115	Kiton EDC	88		2000283	Strip Flex RGB	57	
2000116	Kiton EDC	88		2000284	Strip Flex RGB	57	
2000117	Kiton EDC	88		2000285	RGB LED Strip cable	57	
2000118	Kiton EDC	88		2000286	RGB LED Strip cable	57	
2000119	Kiton EDC	88		2000287	RGB LED Strip cable	57	
2000138	Derby II	90		2000288	Frankfurt series - RGB radio control	208	

Ref.	NAME	PAGE	and	Ref.	NAME	PAGE	and
2000289	Frankfurt series - RGB radio control	208		2000399	Frankfurt series - Emotion Driver Function module	197	
2000290	Frankfurt series - RGB radio control	208		2000400	Frankfurt series - Emotion Driver IR Sensor	199	
2000291	Frankfurt series - RGB Remote control	209		2000401	Frankfurt series - Emotion Driver Motion detector	199	
2000292	Frankfurt series- 4-channel remote control RGB/Emotion	200		2000402	Power cord 230 V	101	186, 198
2000294	RGB Strip	56		2000403	Connection cable 230 V	101	198
2000295	RGB Strip	56		2000404	Connection cable 230 V	101	198
2000296	RGB Strip accessories	56		2000405	Connection cable 230 V	101	198
2000297	RGB Strip accessories	56		2000419	LED converter 12 V	210	
2000298	RGB Strip accessories	56		2000420	LED converter 12 V	210	
2000299	RGB Strip accessories	56		2000421	LED converter 12 V	210	
2000300	RGB Strip accessories	56		2000422	LED converter 12 V	210	
2000307	Mec Porto 1 / 2	62	66	2000423	LED converter 24 V	212	
2000309	Mec Porto 3	70		2000424	LED converter 24 V	212	
2000311	Mec Porto 5	70		2000425	LED converter 24 V	212	
2000312	Mec Porto 1 / 3 / 5	66	70	2000426	LED converter 24 V	212	
2000313	Mec Porto 2	62		2000427	LED converter 12 V IP44	210	
2000314	Mec Porto 1	66		2000428	LED converter 12 V IP44	210	
2000315	Mec Porto 3	70		2000429	LED converter 12 V IP44	210	
2000316	Mec Porto 5	70		2000430	LED Strip 12 V cable	211	
2000318	Mec Porto 2	62		2000431	LED Strip 12 V cable	211	
2000319	Mec Manila IV	63		2000432	LED Strip 12 V cable	211	
2000320	Mec Manila IV / Mec Venice Mini	63	64	2000433	LED Strip 12 V cable	211	
2000321	Mec Manila IV	63		2000434	LED Strip 24 V cable	213	
2000322	Mec Manila IV	63		2000435	LED Strip 24 V cable	213	
2000323	Mec Manila	62		2000436	LED Strip 12 V cable	211	
2000324	Mec Manila / Bali / Derby II	62	67/69	2000437	LED Strip 24 V cable	213	
2000325	Mec Manila	62		2000438	LED Strip 12 / 24 V cable	211	213
2000326	Mec Venice Mini	64		2000441	Switching technology Emotion - Touch LED rectangle	215	
2000327	Mec Venice Mini	64		2000442	Switching technology Emotion - Touch LED round	215	
2000328	Mec Venice Mini	64		2000444	Switching technology single color - Microwave Sensor	221	
2000329	Mec Bali	67		2000445	Frankfurt series - Radio dimmer	206	
2000330	Mec Bali	67		2000446	Frankfurt series - Radio dimmer	206	
2000331	Mec Bali	67		2000447	Switching technology single color - Door contact switch	218	
2000332	Mec WTU	68		2000448	Switching technology single color - IR switch	219	
2000333	Mec WTU	68		2000449	Switching technology single color - Touch Dimmer	219	
2000335	Mec London	63		2000450	Switching technology Emotion - Magnetic door contact switch	216	
2000336	Mec London	63		2000454	HV IR Sensor switch universal	230	
2000338	Mec Paris	64		2000455	HV IR Sensor switch door contact	231	
2000339	Mec Paris	64		2000456	HV IR Sensor switch universal	230	
2000341	Mec Prag	64		2000457	HV IR Sensor switch door contact	231	
2000342	Mec Prag	64		2000458	HV IR Sensor switch	230	
2000343	Mec Quattro Mini	67		2000459	HV radio switch	232	
2000344	Mec Quattro Mini	67		2000460	HV radio switch	232	
2000345	Mec Quattro	68		2000461	HV radio switch	232	
2000346	Mec Quattro	68		2000462	USB socket 12 V	240	
2000350	Mec Manila Plus R	65		2000465	Sockets 230 V - Switch-socket	239	
2000351	Mec Manila Plus R	65		2000466	Sockets 230 V - Double socket Type F	239	
2000352	Mec Manila Plus R	65		2000467	ToKi combi device	236	
2000353	Mec Manila Plus R	65		2000468	Cable duct	242	
2000359	Mec Glass	72		2000469	Cable holder	242	
2000360	Mec Basic	66		2000470	Cable duct - Hole cover	242	
2000361	Mec Groove	65		2000472	LED converter 24 V	212	
2000362	Mec Fly	72		2000475	Mec Lagos II	71	
2000363	Mec Vedua	69		2000476	Mec Lagos I	71	
2000364	Mec Vedua	69		2000477	Mec Lagos III	71	
2000367	Mec Groove	65		2000478	Mec London / Paris / Prag	63	64
2000368	Mec Groove	65		2000483	Superlight	132	
2000369	Mec Groove	65		2000484	Frankfurt series - Emotion Home Base	204	
2000370	Frankfurt series - Emotion 1-channel radio control	202		2000486	Frankfurt series - Emotion Driver IR Sensor	199	
2000371	Frankfurt series - Emotion 1-channel radio control	202		2000487	Frankfurt series - Emotion Driver motion detector	199	
2000372	Frankfurt series - Emotion 1-channel radio control	202		2000488	Switching technology single color - Rocker switch	218	
2000373	Frankfurt series - Emotion 1-channel radio control	202		2000489	Kiton EDC	88	
2000374	Frankfurt series - Emotion 1-channel remote control	200		2000490	Kiton EDC	88	
2000375	Frankfurt series - Emotion 1-channel remote control	200		2000491	Kiton EDC	88	
2000391	Frankfurt series - Emotion Driver	197		2000492	Kiton EDC	88	
2000392	Frankfurt series - Emotion Driver	197		2000493	Kiton EDC	88	
2000393	Frankfurt series - Emotion Driver	197		2000495	Switching technology single color - CAP Sensor	223	
2000394	Frankfurt series - Emotion Driver	197		2000497	Moonlight 68 12 V	118	
2000395	Frankfurt series - Emotion Driver	197		2000498	Tudo Side View	36	
2000396	Frankfurt series - Emotion Driver	197		2000499	Tudo Side View	36	
2000397	Frankfurt series - Emotion Driver Function module	197					
2000398	Frankfurt series - Emotion Driver Function module	197					

Ref.	NAME	PAGE	and
2000500	Moonlight 58 12 V	118	
2000502	Mec London	63	
2000503	Mec London	63	
2000504	Mec Paris	64	
2000505	Mec Paris	64	
2000506	Mec Manila IV	63	
2000507	Mec Manila IV / Mec Venice Mini	63	64
2000508	Mec London / Paris	63	64
2000509	Mec Rack	73	
2000510	Mec Rack	73	
2000511	Mec Rack	73	
2000512	Mec Rack	73	
2000513	Mec Rack	73	
2000514	Mini Octopus	47	
2000515	Mini Octopus	47	
2000516	Moonlight 68 accessories	119	
2000517	Mec Manila IV	63	
2000518	Kiton EDC	88	
2000519	Kiton EDC	88	
2000520	Mec Bali	67	
2000521	Mec Bali	67	
2000522	Switching technology Emotion - Magnetic Door contact switch	216	
2000526	USB socket 12 V	240	
2000527	HV Microwave Sensor	233	
2000528	Cora	120	
2000533	Mec Derby II	69	
2000534	Mec Derby II	69	
2000535	Mec Venice Mini	64	
2000536	Mec Venice Mini	64	
2000537	Mec Quattro Mini	67	
2000538	Mec Quattro Mini	67	
2000539	Mec Manila Plus R	65	
2000540	Mec Manila Plus R	65	
2000541	Mec Derby II	69	
2000543	Smart Linear	164	
2000545	Chip 68 12 V	126	
2000546	Chip L 68 12 V	136	
2000547	Chip L 68	137	
2000568	Dimmable LED converter 12 V	226	
2000569	Dimmable LED converter 24 V	227	
2000570	Dimmable LED converter 12 V	226	
2000571	Dimmable LED converter 24 V	227	
2000572	Dimmable LED converter 12 V	226	
2000573	Dimmable LED converter 24 V	227	
2000574	Planar L	156	
2000575	Planar L	156	
2000576	Planar L	156	
2000577	Planar L	156	
2000599	Switching technology Emotion - Pucky II - recessed	214	
2000600	Switching technology Emotion - Pucky II - recessed	214	
2000601	Mec Driver - converter	186	
2000602	Mec Driver - converter	186	
2000603	Mec Driver - converter	186	
2000604	Mec Driver - converter	186	
2000605	Mec Driver - converter	186	
2000606	Mec Driver - wireless sensor	190	
2000607	Mec Driver - wireless sensor	190	
2000608	Mec Driver - wireless sensor	190	
2000609	Mec Driver - wireless sensor	190	
2000610	Mec Driver - wireless sensor	190	
2000611	Mec Driver - wireless sensor	190	
2000633	Frankfurt series - Emotion 1-channel radio control	202	
2000634	Frankfurt series - Emotion 1-channel radio control	202	
2000639	Mec Paris	64	
2000640	Mec London	63	
2000641	Mec London / Paris	63	64
2000642	Wireless Charger	241	
2000643	Wireless Charger	241	
2000644	Wireless Charger	241	
2000647	HV distributor	243	
2000648	Lilium	108	
2000649	Lilium	108	
2000650	Lilium	108	
2000656	Mirror MONO	104	
2000657	Mirror MONO	104	

Ref.	NAME	PAGE	and
2000658	Mirror MONO	104	
2000659	Mirror MONO	104	
2000660	Mirror MONO	104	
2000661	Mirror DUO	105	
2000662	Mirror DUO	105	
2000663	Mirror DUO	105	
2000664	Mirror DUO	105	
2000665	Mirror DUO	105	
2000666	Frankfurt series - cover for Emotion Driver	198	
2000668	Frankfurt series - remote control 2 Button	201	
2000670	Switching technology Emotion - Pucky II - surface-mounted	214	
2000673	Mirror QUATTRO	106	
2000674	Switching technology single color - Recessed rocker switch	218	
2000675	Mirror QUATTRO	106	
2000676	Mirror QUATTRO	106	
2000677	Mirror QUATTRO	106	
2000678	Mirror QUATTRO	106	
2000679	Mirror QUATTRO	106	
2000680	Mirror QUATTRO	106	
2000688	Mirror RoundQ	107	
2000689	Mirror RoundQ	107	
2000690	Smart Linear	164	
2000691	Frankfurt series - Radio switch/motion detector	200	
2000692	Frankfurt series - Emotion Driver motion detector	199	
2000693	RGB LED Strip cable	56	57, 59
2000694	Super Spot S	142	
2000698	Frankfurt series- 4-channel remote control RGB/Emotion	200	
2000705	Mec Lagos	71	
2000714	Lilium	108	
2000715	Lilium	108	
2000717	Octopus Emotion 12 V	52	
2000718	Octopus Emotion 12 V	52	
2000719	Octopus Emotion 12 V	52	
2000720	Octopus Emotion 12 V	52	
2000722	Lilium	108	
2000723	Lilium	108	
2000724	Mec Malindi	63	
2000725	Mec Malindi	63	
2000726	Mec Malindi	63	
2000729	Chip 2	128	
2000730	Chip 2	128	
2000731	Plinthy	150	
2000732	Plinthy	150	
2000741	Wave M	53	
2000742	Wave M	53	
2000748	Mec Rack Linear	96	
2000749	Mec Rack Linear	96	
2000750	Mec Rack Linear	96	
2000751	Mec Rack Linear	96	
2000752	Mec Rack Linear	96	
2000753	Mec Rack Linear	96	
2000754	Mini Octopus 12 V	51	
2000755	Mini Octopus 12 V	51	
2000756	Mini Octopus 12 V	51	
2000757	Mini Octopus 12 V	51	
2000758	Mini Octopus Emotion 12 V	52	
2000759	Mini Octopus Emotion 12 V	52	
2000760	Mini Octopus Emotion 12 V	52	
2000765	Glaspoint	160	
2000782	Quattro Plus	92	
2000783	Quattro Plus	92	
2000784	Quattro Plus	92	
2000785	Quattro Plus	92	
2000786	Pendant light Ice	98	
2000787	Pendant light Ice	98	
2000788	Pendant light Ice	98	
2000793	Mec Octopus	73	
2000794	Mec Octopus	73	
2000795	Wave C	54	
2000796	Wave C	54	
2000803	Sockets 230 V - Corner socket bar	236	
2000804	Sockets 230 V - Corner socket bar	236	
2000805	Frankfurt series - Emotion Driver IR Sensor	199	
2000817	Mec Porto Mini 1 / 2	62	66
2000818	Mec Porto Mini 1 / 2	62	66

Ref.	NAME	PAGE	and
2000819	Mec Porto Mini 1	66	
2000820	Mec Porto Mini 1	66	
2000821	Mec Porto Mini 1	66	
2000822	Mec Porto Mini 1	66	
2000823	LED Strip 24 V cable	239	
2000824	Mec Porto Mini 2	62	
2000825	Mec Porto Mini 2	62	
2000826	Mec Porto Mini 6	69	
2000827	Mec Porto Mini 6	69	
2000828	Mec Porto Mini 6	69	
2000837	Mec Rack	73	
2000838	Mec Rack	73	
2000839	Mec Rack	73	
2000840	Mec Rack	73	
2000841	Mec Rack	73	
2000842	Mec Rack	73	
2000850	Frankfurt series - Microwave Sensor	199	
2000857	LED Strip 24 V cable	213	
2000860	Tavos R	148	
2000861	Tavos Q	146	
2000862	Tavos Q	146	
2000864	Chip 58 12 V	124	
2000865	Chip 58 12 V	124	
2000866	Chip 58 accessories	125	
2000870	Chip 2	129	
2000871	Mec Octopus	73	
2000872	Mec Driver - converter	186	
2000873	Kala	172	
2000874	Kala	172	
2000875	Tudo 4.8 12 V Eco	37	
2000876	Tudo 9.6 12 V Eco	39	
2000877	Tudo 4.8 12 V Eco	37	
2000878	Tudo 9.6 12 V Eco	39	
2000879	Frankfurt series - Emotion Driver	197	
2000880	Frankfurt series - Emotion Driver	197	
2000881	Nova Plus 68 12 V	130	
2000882	Nova Plus 68 12 V	130	
2000883	Mec Venice A	72	
2000884	Mec Venice A	72	
2000885	Mec Venice A	72	
2000886	Mec Venice A	72	
2000887	Chip L 58 12 V	134	
2000888	Tudo Touch Sensor	225	
2000935	Kel	82	
2000936	Kel	82	
2000937	Kel	82	
2000938	Kel	82	
2000939	Mec Kel	70	
2000940	Mec Kel	70	
2000941	Mini Tubular IC 2	84	
2000942	Mini Tubular IC 2	84	
2000943	Mini Tubular IC 2	84	
2000944	Mini Tubular IC 2	84	
2000945	Mini Tubular IC 2	84	
2000946	Pavo	110	
2000947	Pavo	110	
2000948	Pavo	110	
2000949	Pavo	110	
2000950	Octopus 10x10	50	
2000951	Octopus RGB	59	
2000952	Mec Ice	68	
2000953	Mec Ice	68	
2000954	Mec Ice	68	
2000955	Mec Ice	68	
2000956	Switching technology single color - Mini IR Sensor switch	224	
2000957	Switching technology single color - Mini IR Sensor switch	224	
2000958	Switching technology single color - Mini IR Sensor switch	224	
2000959	Switching technology single color - Mini IR Sensor switch	224	
2000960	Mini Tubular IC 2	84	
2000961	Mini Tubular IC 2	84	
2000962	Mini Tubular IC 2	84	
2000963	Mini Tubular IC 2	84	
2000964	Mini Tubular IC 2	84	
2000967	Mec Derby II	69	
2000968	Mec Derby II	69	

Ref.	NAME	PAGE	and
2000971	Octopus Slim Line 6x6	49	
2000975	Legis	168	
2000976	IR Door contact switch Emotion	216	
2000977	COB/SMD Connector	23	36
2000978	COB/SMD Connector	23	36
2000979	COB/SMD Connector	23	36
2000980	COB/SMD Connector	23	36
2000981	COB/SMD Connector	23	36
2000982	COB/SMD Connector 12 V	36 ff.	
2000983	COB/SMD Connector 24 V	23 ff.	
2000984	DALI Dimmer switch	228	
2000985	DALI Dimmer switch	228	
2001001	Tudo HE 2.8	23	
2001002	Tudo HE 2.8	23	
2001003	Tudo HE 2.8	23	
2001006	Tudo HE 4.3	24	
2001007	Tudo HE 4.3	24	
2001008	Tudo HE 4.3	24	
2001009	Octopus Slim Line 6x6	49	
2001011	Tudo HE 6.3	25	
2001012	Tudo HE 6.3	25	
2001013	Tudo HE 6.3	25	
2001016	Tudo HE 8.6	26	
2001017	Tudo HE 8.6	26	
2001018	Tudo HE 8.6	26	
2001021	Tudo HE 11.5	27	
2001022	Tudo HE 11.5	27	
2001023	Tudo HE 11.5	27	
2001026	Tudo HE Emotion 4.0	28	
2001027	Tudo HE Emotion 9.8	29	
2001028	Tudo HE EDC 4.0	30	
2001029	Tudo HE EDC 9.8	31	
2001031	Tudo HE 2.8	23	
2001032	Tudo HE 2.8	23	
2001033	Tudo HE 2.8	23	
2001036	Tudo HE 4.3	24	
2001037	Tudo HE 4.3	24	
2001038	Tudo HE 4.3	24	
2001041	Tudo HE 6.3	25	
2001042	Tudo HE 6.3	25	
2001043	Tudo HE 6.3	25	
2001046	Tudo HE 8.6	26	
2001047	Tudo HE 8.6	26	
2001048	Tudo HE 8.6	26	
2001051	Tudo HE 11.5	27	
2001052	Tudo HE 11.5	27	
2001053	Tudo HE 11.5	27	
2001056	Tudo HE Emotion 4.0	28	
2001057	Tudo HE EDC 4.0	30	
2001058	Tudo HE Emotion 9.8	29	
2001059	Tudo HE EDC 9.8	31	
2001200	Tudo HE Sample	32	
2001201	Tudo HE Sample	32	
2001202	Tudo HE Sample	32	
2001203	Tudo HE Sample	32	
2001204	Tudo HE Sample	32	
2001205	Tudo HE Sample	32	
2001206	Tudo HE Sample	32	
2001207	Tudo HE Sample	32	
2001208	Tudo HE Sample	32	
2001209	Tudo HE Sample	32	
2001210	Tudo HE Sample	32	
2001211	Tudo HE Sample	32	
2001212	Tudo HE Sample	32	
2001213	Tudo HE Sample	32	
2001214	Tudo HE Sample	32	
2001215	Tudo HE Sample	32	
2001216	Tudo HE Sample	32	
2001217	Tudo HE Sample	32	
2001218	Tudo HE Sample	32	
528100005	Chip HE 58	114	
528100006	Chip HE 58	114	
528100009	Chip HE 68	116	
528100010	Chip HE 68	116	
557800001	Chip HE 58	114	
557800002	Chip HE 58	114	
590600015	Mini Noor 2	80	

Ref.	NAME	PAGE	and	Ref.	NAME	PAGE	and
590600016	Mini Noor 2	80		941900413	Octopus RGB	59	
590600017	Mini Noor 2	80		941900426	COB WW 12 V 7.2	44	
590600018	Mini Noor 2	80		941900428	COB WW 24 V 7.2	44	
597600003	Planar S	158		941900430	COB WW 12 V 12.0	44	
597600004	Planar S	158		941900431	COB WW 24 V 12.0	44	
600000005	Frankfurt series - Radio dimmer	206		941900438	COB RGB	58	
600900081	Mec Basel	67		941900440	COB RGBW	58	
751100779	COB Emotion 12 V	46		941900449	COB Emotion 24 V	45	
751100780	COB Emotion 24 V	45		941900450	COB Emotion 12 V	46	
751100806	COB Emotion 12 V	46		942800552	Mec Basel	67	
751100808	COB WW 24 V 7.2	44		943900004	Mec Driver Sensor, wired	189	
751100809	COB WW 12 V 7.2	44		943900004	Switching technology single color - Mini IR Sensor switch	224	
751100810	COB WW 24 V 12.0	44		943900005	Mec Driver Sensor, wired	189	
751100811	COB WW 12 V 12.0	44		941300065	Switching technology Emotion - Touch LED - round	215	
751100816	COB Emotion 24 V	45		754900004	Cable duct - Hole cover	242	
753000003	Mec Basel	67		754900005	Cable duct - Hole cover	242	
754000011	Mec Driver - mounting plate	193		941100002	Sockets 230 V - Switch-socket	238	
754000012	Mec Driver - mounting plate	193		941100003	Sockets 230 V - Double socket	238	
754000013	Mec Driver - cover for mounting plate	193		941100004	Sockets 230 V - Double socket Type E	239	
754000014	Mec Driver - cover for mounting plate	193		941300062	Frankfurt series - Radio dimmer	206	
754400157	Cable duct	242		941300063	Switching technology Emotion - Pucky II for Mec Driver	215	
754400158	Cable duct	242					
756200027	Mec Driver- 1-channel module	192					
756200028	Mec Driver - 1-channel module	192					
756200029	Mec Driver - RGB module	194					
756200030	Mec Driver - 4-channel module	192					
756200031	Mec Driver - 4-channel module	192					
756200032	Mec Driver - switching module	188					
756200033	Mec Driver - switching module	188					
756200034	Mec Driver - distributor module	187					
756200035	Mec Driver - distributor module	187					
756200038	Mec Driver - RGB remote control	194					
756200039	Mec Driver - RGB remote control	194					
756200040	Mec Driver - 4-channel remote control	193					
756200041	Mec Driver - 4-channel remote control	193					
910300004	Power cord 230 V	186					
910300005	Power cord 230 V	186					
940600484	Mec Driver Connection cable	187					
940600485	Mec Driver Connection cable	187					
940600486	Mec Driver Connection cable	187					
940600522	Moonlight HV accessories	145					
941100001	USB socket 12 V	240					
941100005	Sockets 230 V - double socket Type F	239					
941100006	Sockets 230 V - double socket Type J	239					
941100007	Sockets 230 V - Emotion control -socket combi Type F	237					
941100008	Sockets 230 V - Emotion control -socket combi/o converter Type F	237					
941100009	Sockets 230 V - Emotion control -socket combi/o converter Type J	237					
941300049	Mec Driver Sensor, wired	189					
941300049	Switching technology single color - Mini IR Sensor switch	224					
941300050	Mec Driver Sensor, wired	189					
941300051	Mec Driver Sensor, wired	189					
941300052	Mec Driver Schalter, wired	189					
941300062	Radio dimmer 24 V	222					
941300064	Switching technology Emotion - Touch LED rectangle	215					
941300065	Switching technology Emotion - Touch LED round	215					
941300066	Switching technology Emotion - Pucky II for Mec Driver	215					
941300067	Switching technology Emotion - Pucky II - recessed	214					
941300068	Switching technology Emotion - Pucky II - recessed	214					
941900307	Octopus SlimLine 3x5	48					
941900308	Octopus SlimLine 3x5	48					
941900309	Octopus SlimLine 3x5	48					
941900310	Octopus SlimLine 3x5	48					
941900311	Octopus SlimLine 3x5	48					
941900312	Octopus SlimLine 3x5	48					
941900313	Octopus SlimLine 3x5	48					
941900314	Octopus SlimLine 3x5	48					
941900315	Octopus SlimLine 3x5	48					
941900332	RGB Strip	56					
941900348	COB Emotion 12 V	46					
941900349	COB Emotion 24 V	45					
941900397	Octopus SlimLine 6x6	49					

NAME	PAGE
Area Light	170
Bali	94
Base	152
Cable duct	242
Cable duct - Hole cover	242
Cable holder	242
Chip 2	128
Chip 58 12 V	124
Chip 58 accessories	125
Chip 68 12 V	126
Chip 68 accessories	117/127
Chip HE 58	114
Chip HE 68	116
Chip L 58 12 V	134
Chip L 68	136
COB Emotion 12 V	56
COB Emotion 24 V	45
COB RGB	58
COB RGBW	58
COB WW 12 V 12.0	44
COB WW 12 V 7.2	44
COB WW 24 V 12.0	44
COB WW 24 V 7.2	44
COB/SMD Connector 12 V	36
COB/SMD Connector 12/24 V	23/36
COB/SMD Connector 24 V	23
Connection cable 230 V	101/198
Connection set sensors 12 / 24 V cable	211/213
Cora	120
DALI Dimmer switch	228
DALI Dimmer switch	
Derby II	90
Dimmable LED converter 12 V	226
Dimmable LED converter 24 V	227
Flex Spot	138
Frankfurt series - Cover for Emotion Driver	198
Frankfurt series - Emotion 1-channel remote control	202
Frankfurt series - Emotion Driver	197
Frankfurt series - Emotion Driver Function module	197
Frankfurt series - Emotion Driver IR Sensor	199
Frankfurt series - Emotion Driver motion detector	199
Frankfurt series - Emotion Home Base	204
Frankfurt series - Remote control 2 Button	207
Frankfurt series - Microwave Sensor	199
Frankfurt series - Radio dimmer	206
Frankfurt series - Radio switch/motion detector	208
Frankfurt series - RGB remote control	209
Frankfurt series- 4-channel remote control RGB/Emotion	209
Glaspoint	160
HV distributor	243
HV IR Sensor switch	230
HV IR Sensor switch door contact	231
HV IR Sensor switch universal	230
HV Microwave Sensor	233
HV Radio switch	232
Kala	172
Kel	82
Kiton EDC	88
LED converter 12 V	210
LED converter 12 V IP44	210
LED converter 24 V	212
LED Strip 12 V cable	211
LED Strip 24 V cable	213
Legis	168
Lilium	108
Malindi	76
Manila IV	78
Matrix	154
Mec Bali	67
Mec Basel	67
Mec Basic	66
Mec Derby II	69
Mec Driver - 1-channel module	192
Mec Driver - 4-channel module	192
Mec Driver - 4-channel remote control	193
Mec Driver - Connection cable	187
Mec Driver - Converter	186

NAME	PAGE
Mec Driver - Distributor module	187
Mec Driver- Mounting plate	193
Mec Driver - RGB Module	194
Mec Driver - RGB remote control	194
Mec Driver - Sensor, wired	189
Mec Driver - Switch, wired	189
Mec Driver - Switching module	188
Mec Driver - wireless sensor	190
Mec Fly	72
Mec Glass	72
Mec Groove	65
Mec Ice	68
Mec Kel	19
Mec Lagos	71
Mec Lagos I	71
Mec Lagos II	71
Mec Lagos III	71
Mec Londo / Paris	63/64
Mec London	63
Mec London / Paris	63/64
Mec London / Paris / Prag	63/64
Mec Malindi	63
Mec Manila	62
Mec Manila / Bali / Derby II	62/67/69
Mec Manila IV	63
Mec Manila Plus R	65
Mec Octopus	73
Mec Paris	64
Mec Porto 1	66
Mec Porto 1 / 2	62/66
Mec Porto 1 / 3 / 5	66/70
Mec Porto 2	62
Mec Porto 3	70
Mec Porto 5	70
Mec Porto Mini 1	66
Mec Porto Mini 1 / 2	62/66
Mec Porto Mini 2	62
Mec Porto Mini 6	69
Mec Prag	64
Mec Quattro	68
Mec Quattro Mini	67
Mec Rack	73
Mec Rack Linear	96
Mec Vedua	69
Mec Venice A	72
Mec Venice Mini	64
Mec WTU	68
Mini Octopus	47
Mini Octopus 12 V	51
Mini Octopus Emotion 12 V	52
Mini Tubular IC 2	84
Mirror DUO	105
Mirror MONO	104
Mirror QUATTRO	106
Mirror RoundQ	107
Moonlight 58 12 V	118
Moonlight 68 12 V	118
Moonlight 68 accessories	119
Moonlight HV	144
Moonlight HV accessories	145
Nova Plus 68 12 V	130
Nova Plus 68 accessories	131
Nova Plus 78 12 V	130
Nubio	86
Octopus	47
Octopus 10x10	50
Octopus Emotion 12 V	52
Octopus RGB	59
Octopus Slim Line 3x5	48
Octopus Slim Line 6x6	49
PanLight	122
Pavo	110
Pendant light Ice	98
Planar L	156
Planar S	158
Plinthy	150
Plug-in power supply	165
Power cord 230 V	186
Quattro Plus	92

NAME	PAGE
RGB LED Strip cable / Cable	180
RGB Strip	56
RGB Strip accessories	56
Smart Linear	164
Snite LED	100
Sockets 230 V - Corner socket bar	236
Sockets 230 V - Double socket	238
Sockets 230 V - Double socket Type E	239
Sockets 230 V - Double socket Type J	239
Sockets 230 V - Emotion control-socket combi Type F	237
Sockets 230 V - Emotion control-socket combi w/o converter Type F	237
Sockets 230 V - Switch-socket	238/239
Sockets 230 V - Emotion control-socket combi w/o converter Type J	237
Space Light	166
Strip Flex	55
Strip Flex RGB	180
Super Spot	140
Super Spot S	142
Superlight	132
Switching technology Emotion - IR Door contact switch	216
Switching technology Emotion - Magnetic door contact switch	216
Switching technology Emotion - Pucky II for Mec Driver	215
Switching technology Emotion - Pucky II, recessed	214
Switching technology Emotion - Pucky II, surface-mounted	214
Switching technology Emotion - Touch LED, rectangle	215
Switching technology Emotion - Touch LED, round	215
Switching technology single color - Mini IR Sensor switch	49
Switching technology single color - Door contact switch	218
Switching technology single color - IR Door contact switch	219
Switching technology single color - IR Schalter	219
Switching technology single color - KAP Sensor	223
Switching technology single color - Magnet-Door contact switch	220
Switching technology single color - Microwave Sensor	221
Switching technology single color - Mini IR-Sensor switch	224
Switching technology single color - Radio dimmer	222
Switching technology single color - Rocker switch	218
Switching technology single color - Rocker switch, recessed	218
Switching technology single color - Touch Dimmer	219
Switching technology single color - Tudo Touch Sensor	225
Tavos Q	146
Tavos R	148
ToKi combi device	236
Tudo 4.8 12 V	37
Tudo 7.2 12 V	38
Tudo 8 mm	23
Tudo 9.6 12 V	39
Tudo Emotion 15.5 12 V	42
Tudo Emotion 7.2 12 V	40
Tudo Emotion 7.8 12 V	41
Tudo HE 11.5	27
Tudo HE 2.8	23
Tudo HE 4.3	24
Tudo HE 6.3	25
Tudo HE 8.6	26
Tudo HE EDC 4.0	30
Tudo HE EDC 9.8	29
Tudo HE Emotion 4.0	28
Tudo HE Emotion 9.8	29
Tudo HE Sample	32
Tudo Side View	36
Tudo Touch Sensor	225
USB Steckdosen 12 V	240
Wave C	54
Wave M	53
Wireless Charger	241
Woodpoint	160

THEOFILS