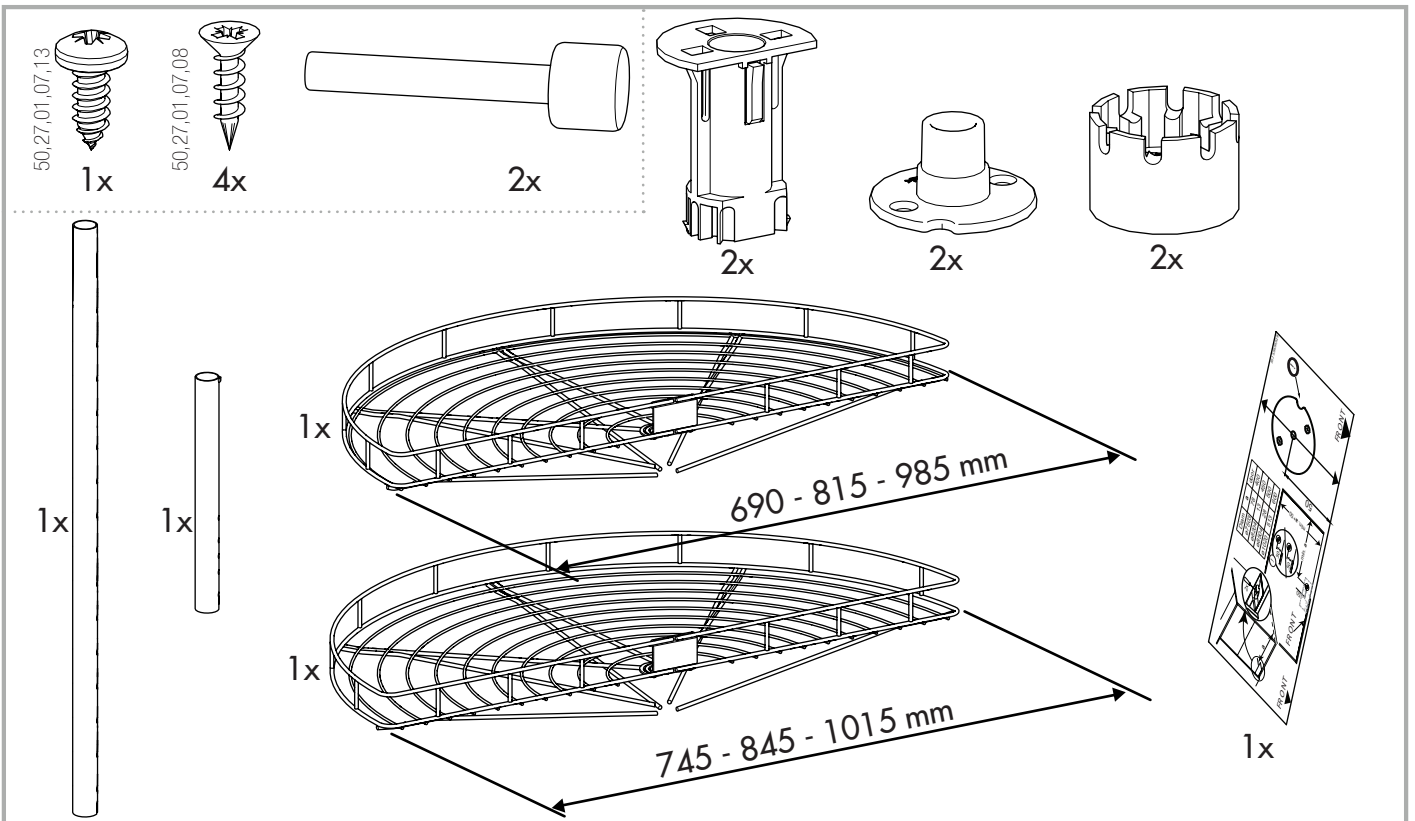
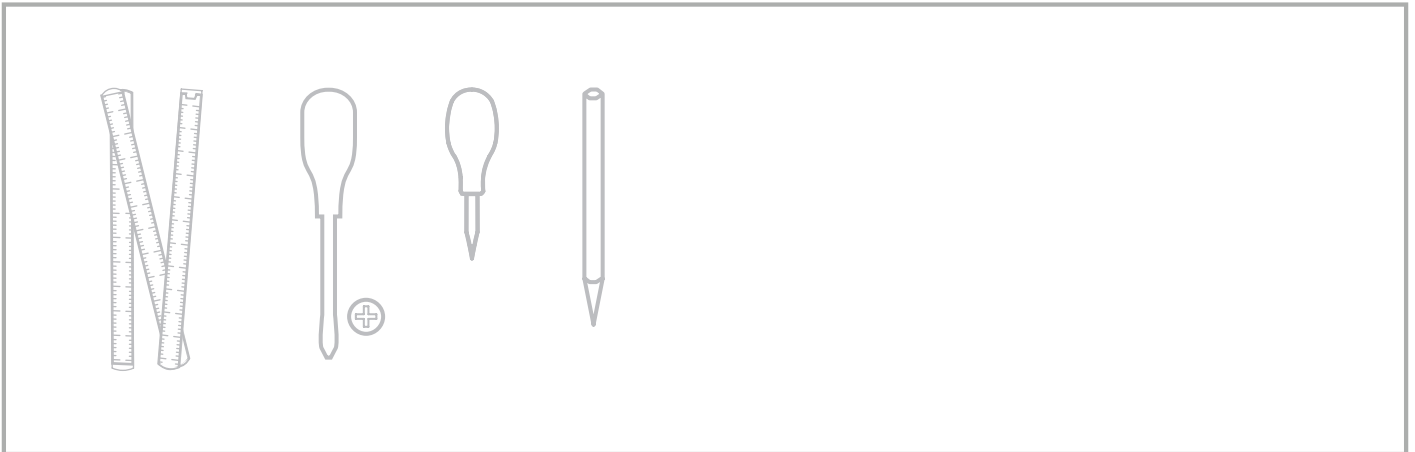
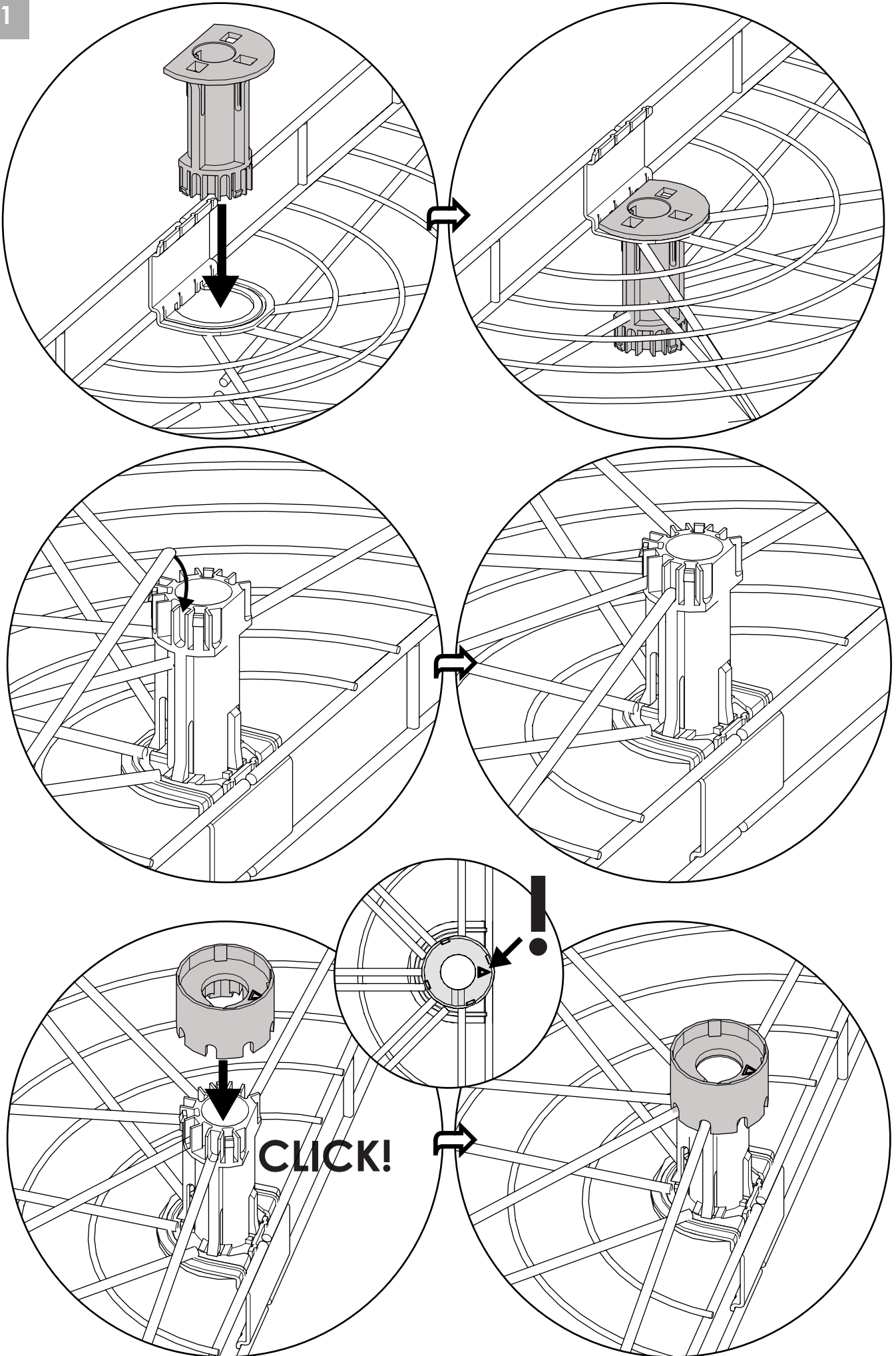


1/2 carousel Wire

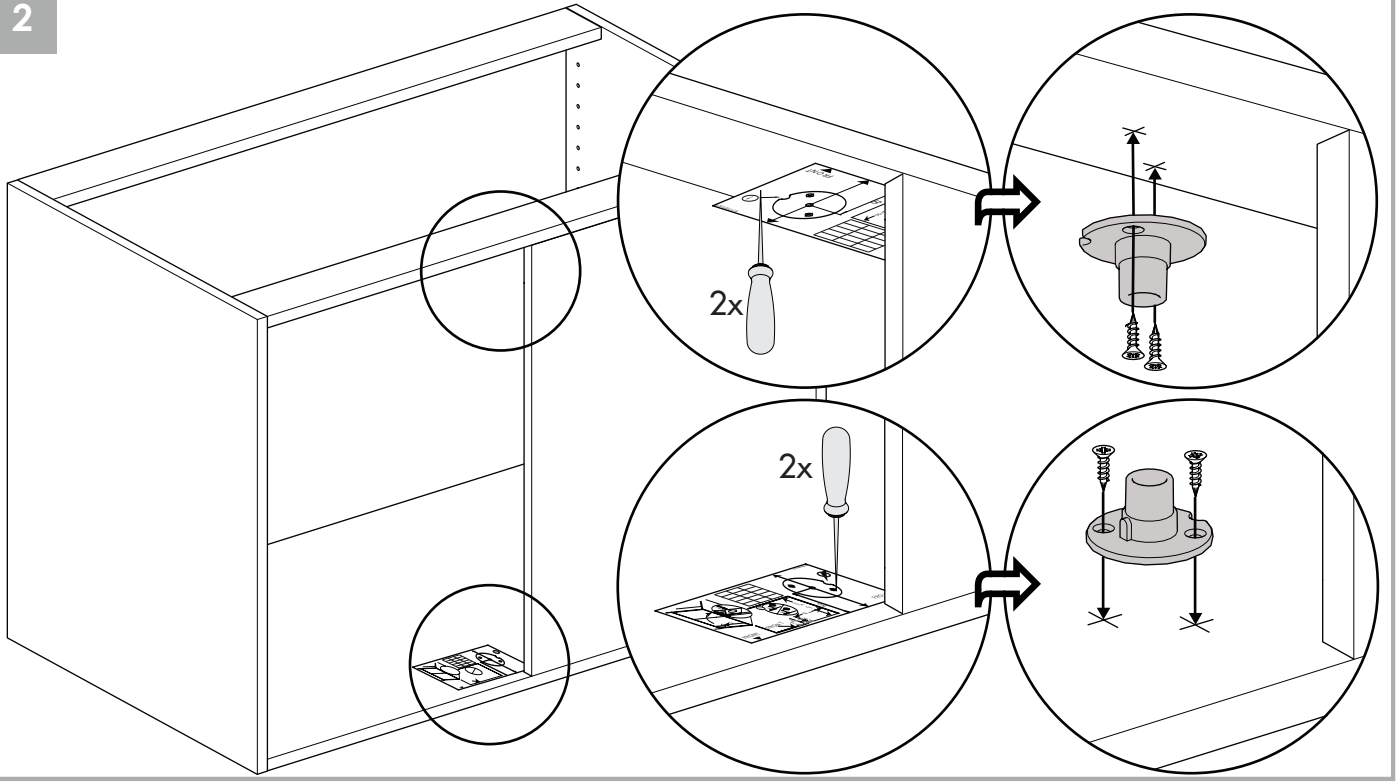
5680 5820



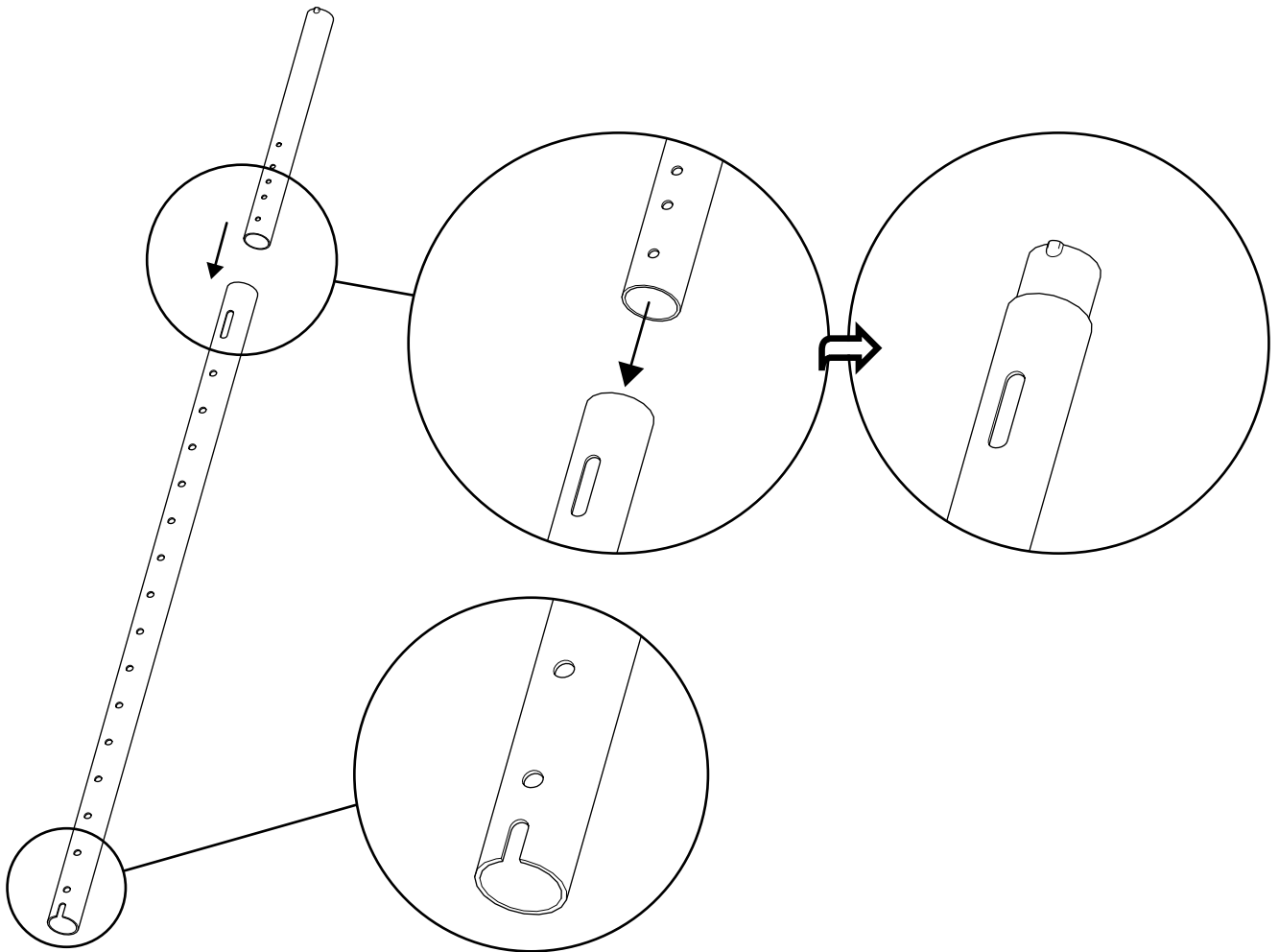
1



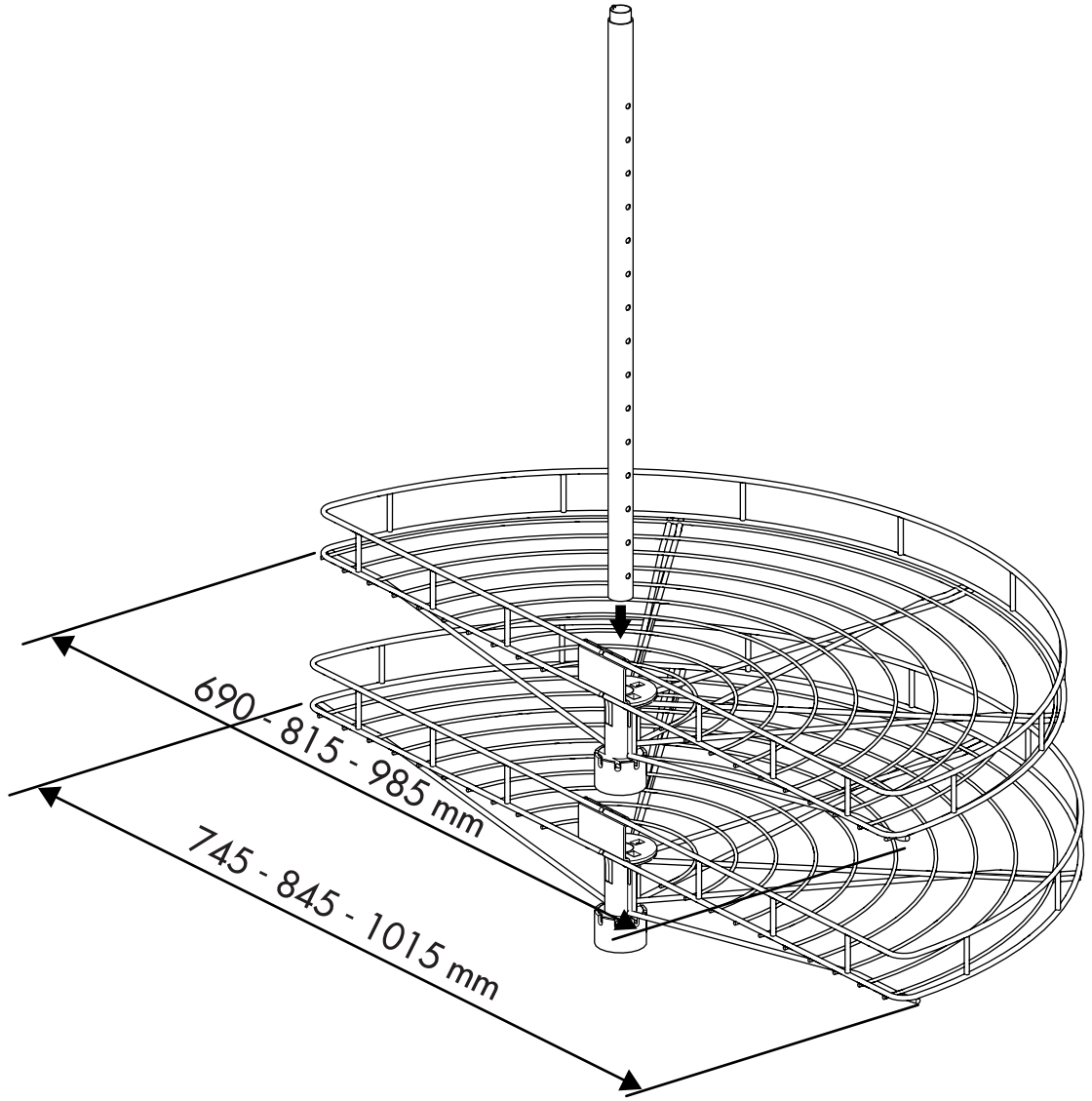
2



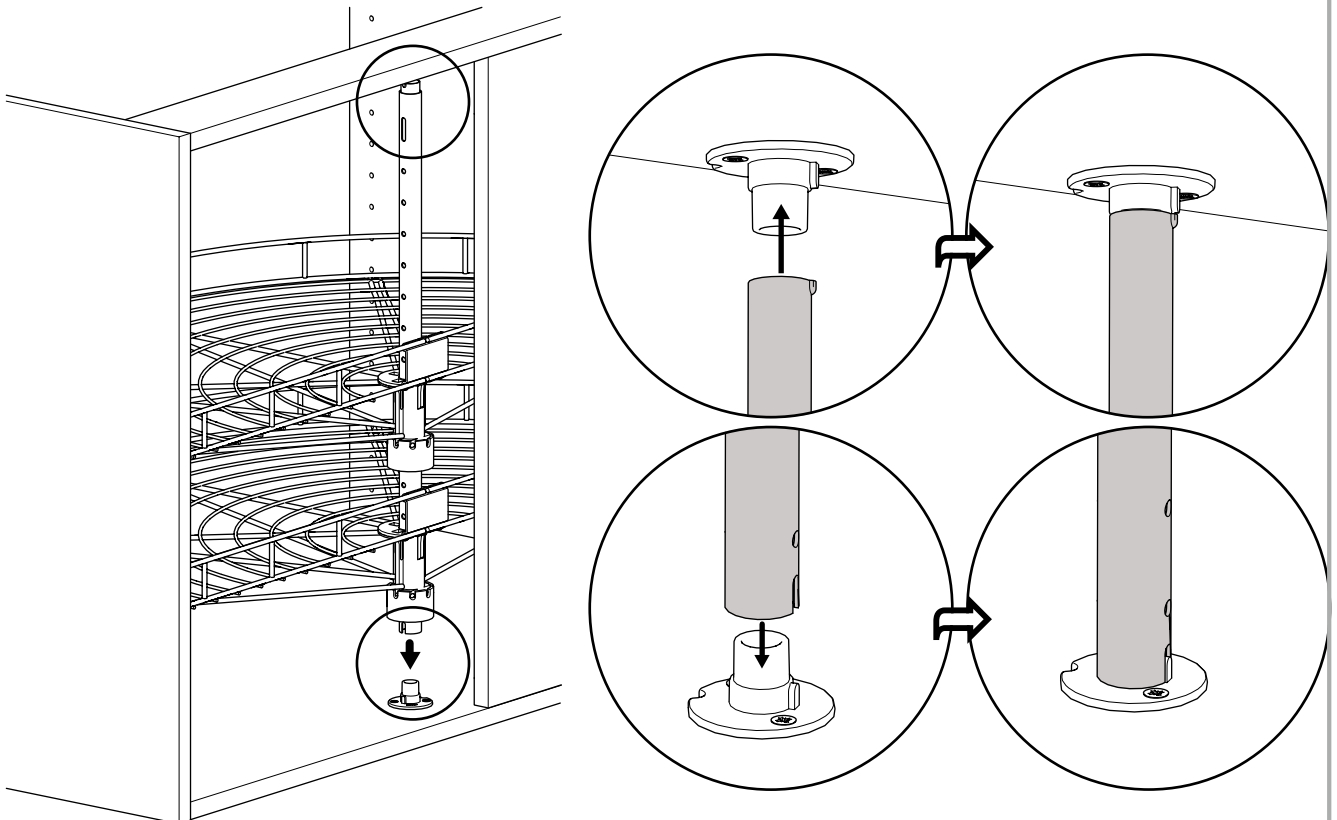
3



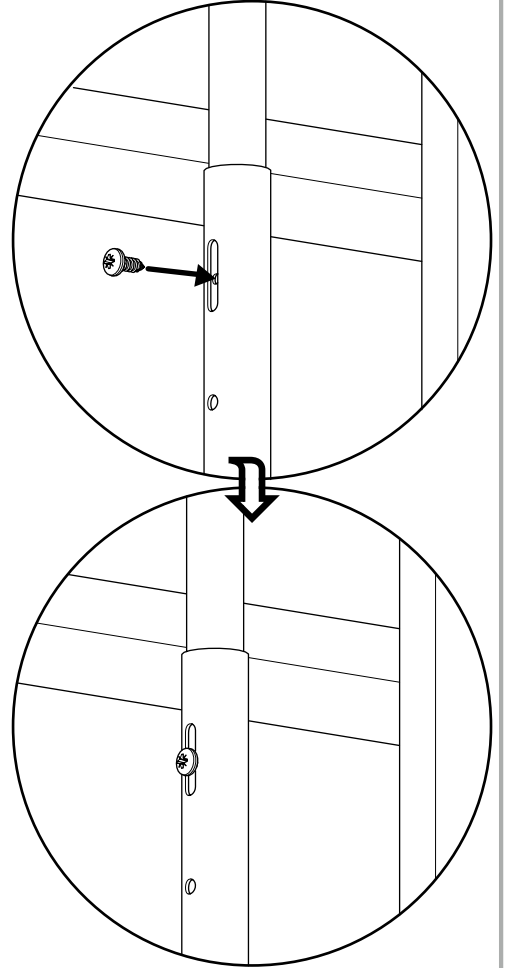
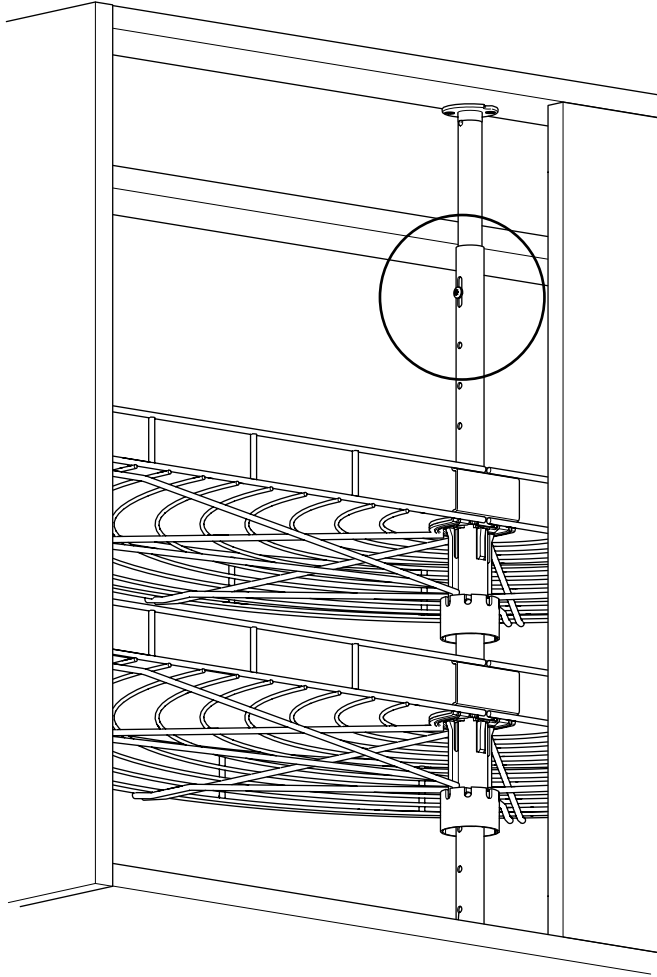
4



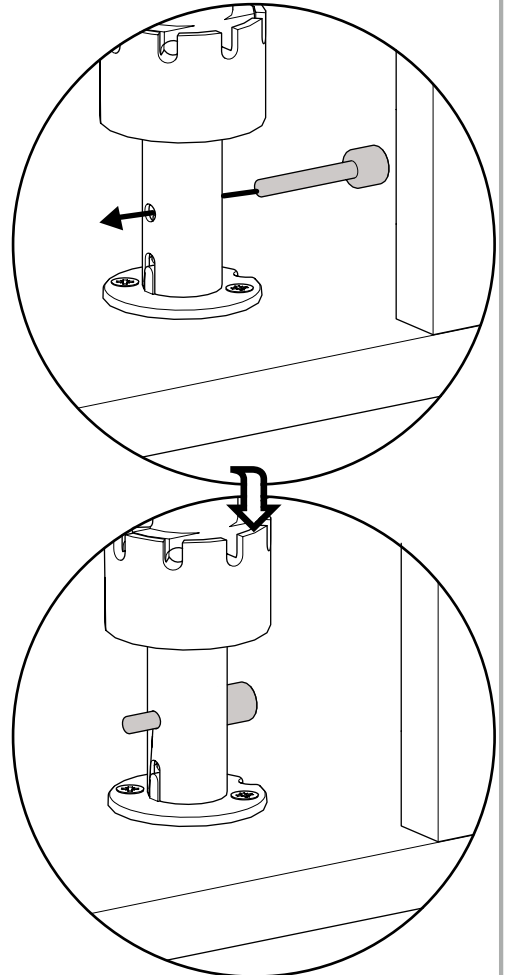
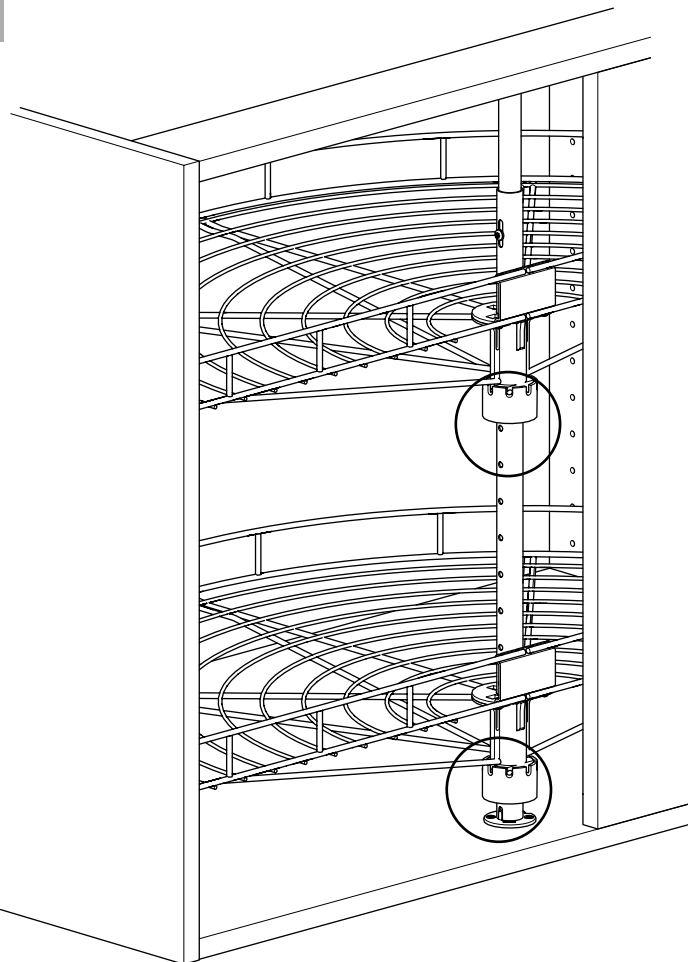
5



6



7





C O M P O N E N T S