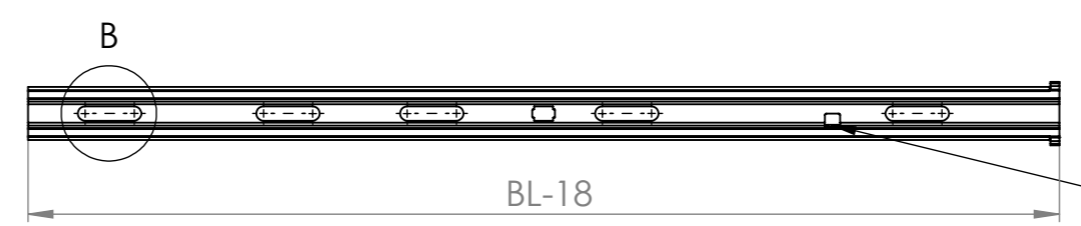
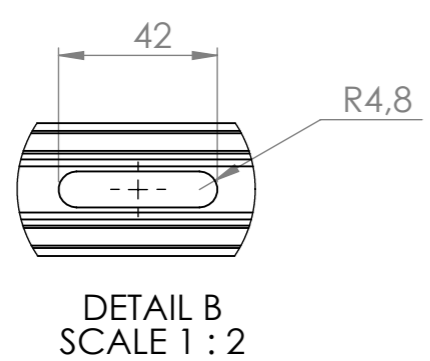
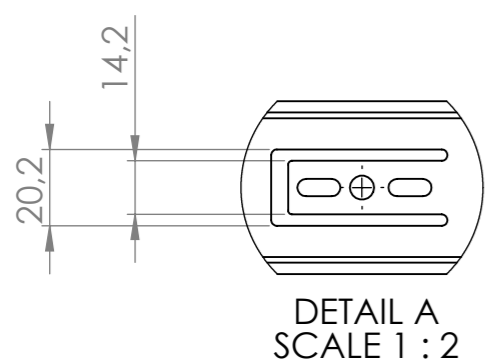
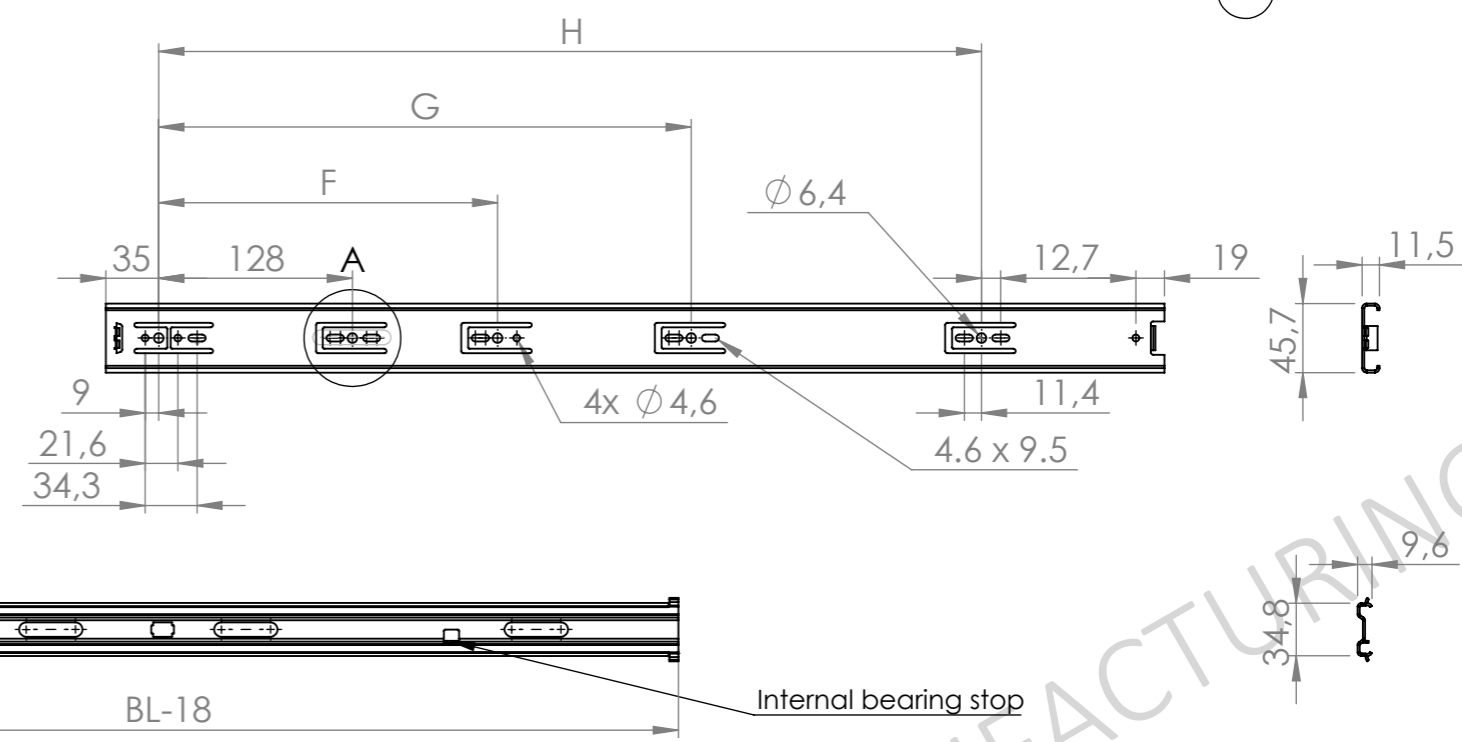
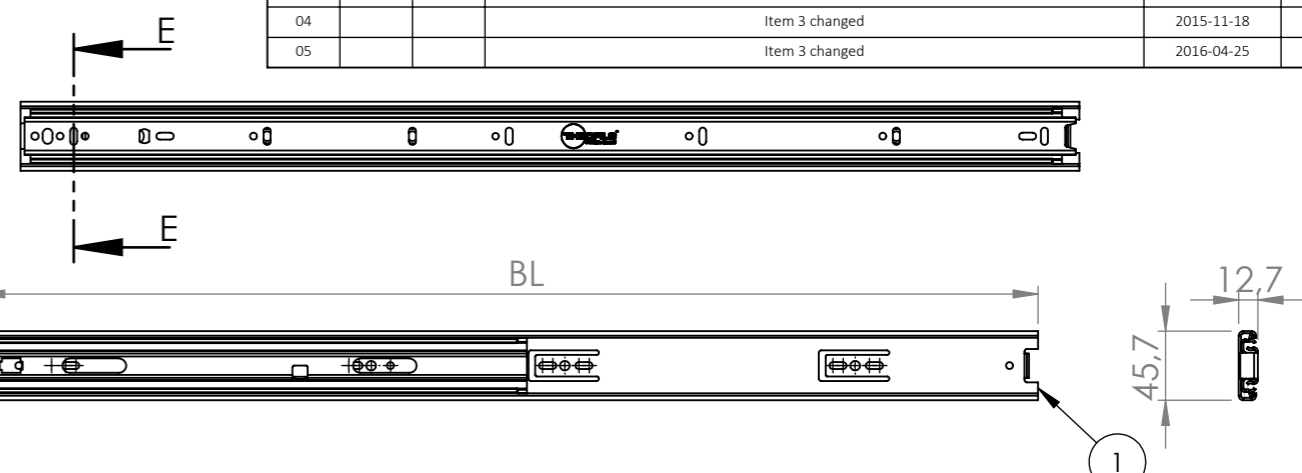
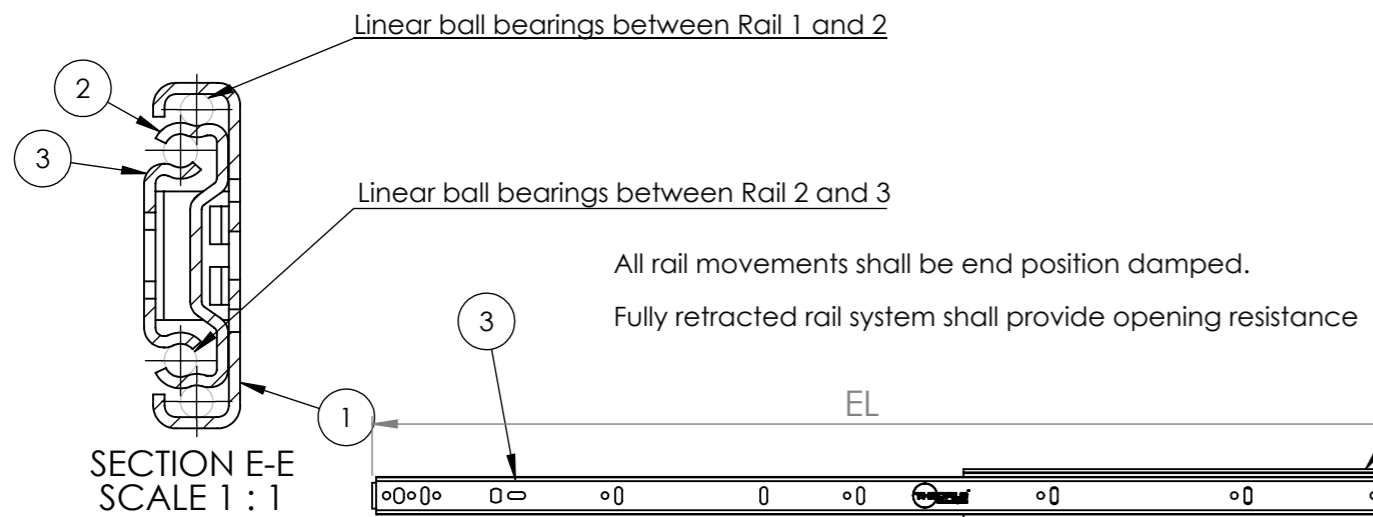


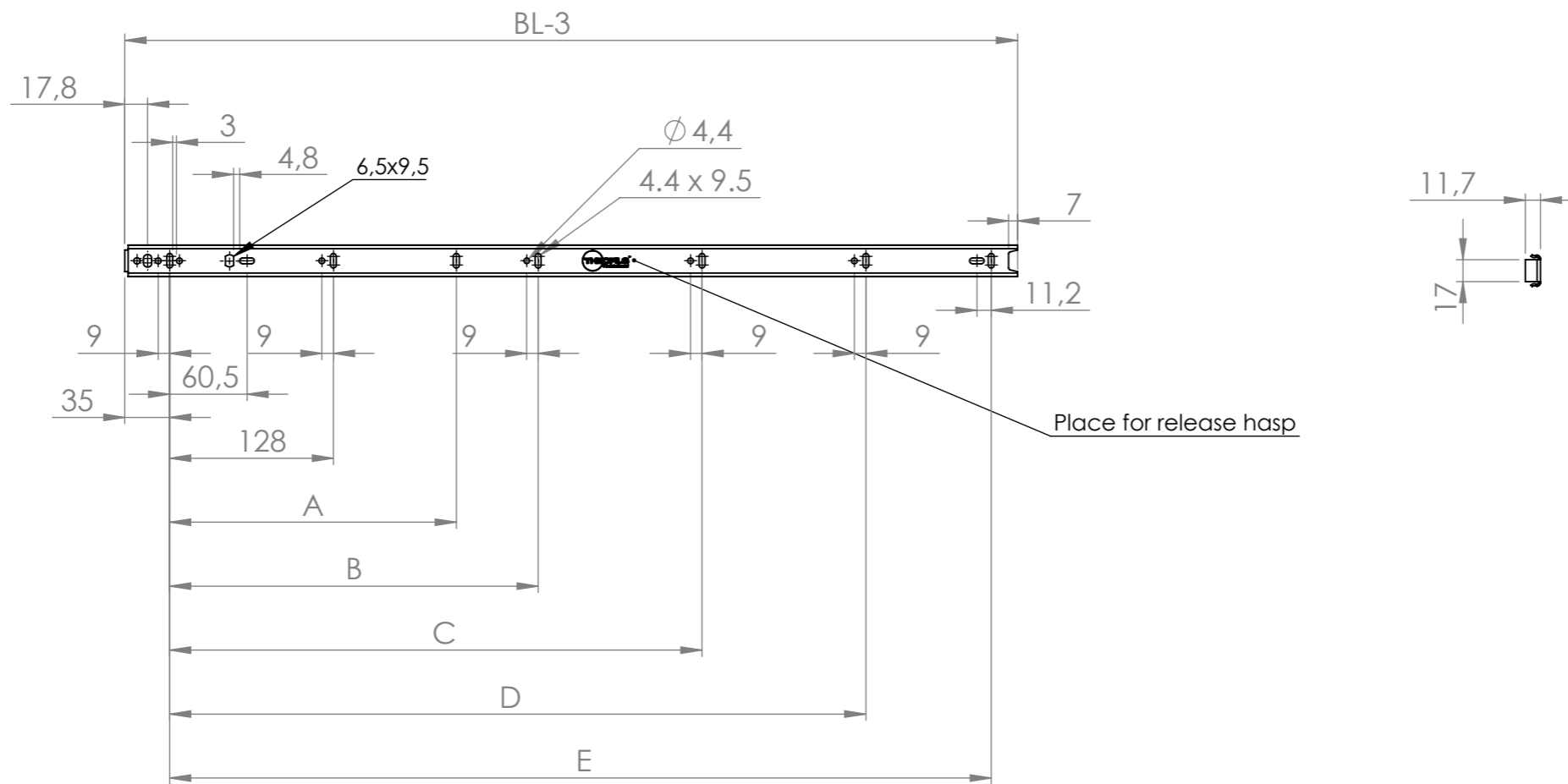
REVISIONS					
REV.	ZONE	QTY	DESCRIPTION	DATE	APPROVED
01			First revision	2015-03-26	NHE
02			Item 3 and 4 changed	2015-03-31	KAP
03			Item 3 changed	2015-05-05	KAP
04			Item 3 changed	2015-11-18	KAP
05			Item 3 changed	2016-04-25	KAP





Art. Nr.	BL	EL	A	B	C	D	E	F	G	H
609040	148	140	-	-	-	-	-	-	-	-
609041	199	203	-	-	-	-	141	-	-	-
609042	250	243	-	-	-	-	192	-	-	-
609043	300	305	-	-	-	-	242	224	-	-
609044	350	356	-	-	-	-	292	224	-	-
609045	400	406	-	-	-	-	342	224	320	-
609046	450	457	-	-	320	-	392	224	352	-
609047	500	508	-	-	320	-	442	224	416	-
609048	550	559	-	-	320	416	492	224	352	448
609049	600	610	224	-	416	-	542	224	352	480
609050	650	660	224	-	416	544	592	224	352	544
609051	700	711	224	288	416	544	642	224	352	544

ITEM NO.	DESCRIPTION	Extended/QTY.
1	Rail 1	1
2	Rail 2	1
3	Rail 3	1

SIGNATURE		DATE	MATERIAL		TITLE: <b>Brackets Assembly</b>	
DRAWN			WEIGHT	153.51 g	VOLUME	153.51 cm <sup>3</sup>
CHK'D			GENERAL TOLERANCES		SS-ISO 2768	
APP'VD			SURFACE FINISH		GRADE	m GEOMET. K
UNLESS OTHERWISE SPECIFIED: DIMENSIONS ARE IN MILLIMETERS			SURFACE FINISH		GRADE	m GEOMET. K
UNLESS OTHERWISE STATED ON DRAWING, 3D-MODEL IS VALID.			DEBUR AND BREAK SHARP EDGES		DO NOT SCALE DRAWING	
				DWG NO. 1011-ADR001		REVISION 05
				SCALE 1:5		SHEET 1 OF 2



DRAFT - NOT FOR MANUFACTURING

	DRAWN	SIGNATURE	DATE	MATERIAL	Material <not specified>		TITLE: Rail 3	
	CHK'D			WEIGHT	34.92 g	VOLUME	34.92 cm <sup>3</sup>	DWG NO.
	APPV'D			GENERAL TOLERANCES	SS-ISO 2768		REVISION	05
UNLESS OTHERWISE SPECIFIED: DIMENSIONS ARE IN MILLIMETERS				SURFACE FINISH	Ra	GRADE	GEOMET.	
UNLESS OTHERWISE STATED ON DRAWING, 3D-MODEL IS VALID.				DEBUR AND BREAK SHARP EDGES	DO NOT SCALE DRAWING	SCALE	1:10	VIEW  A3 SHEET 2 OF 2