



# SERVO-DRIVE flex

Technical data sheet

[www.blum.com](http://www.blum.com)

 **blum**<sup>®</sup>



## Component overview

Refrigerators and freezers	4
Dishwashers	6

## Order specification

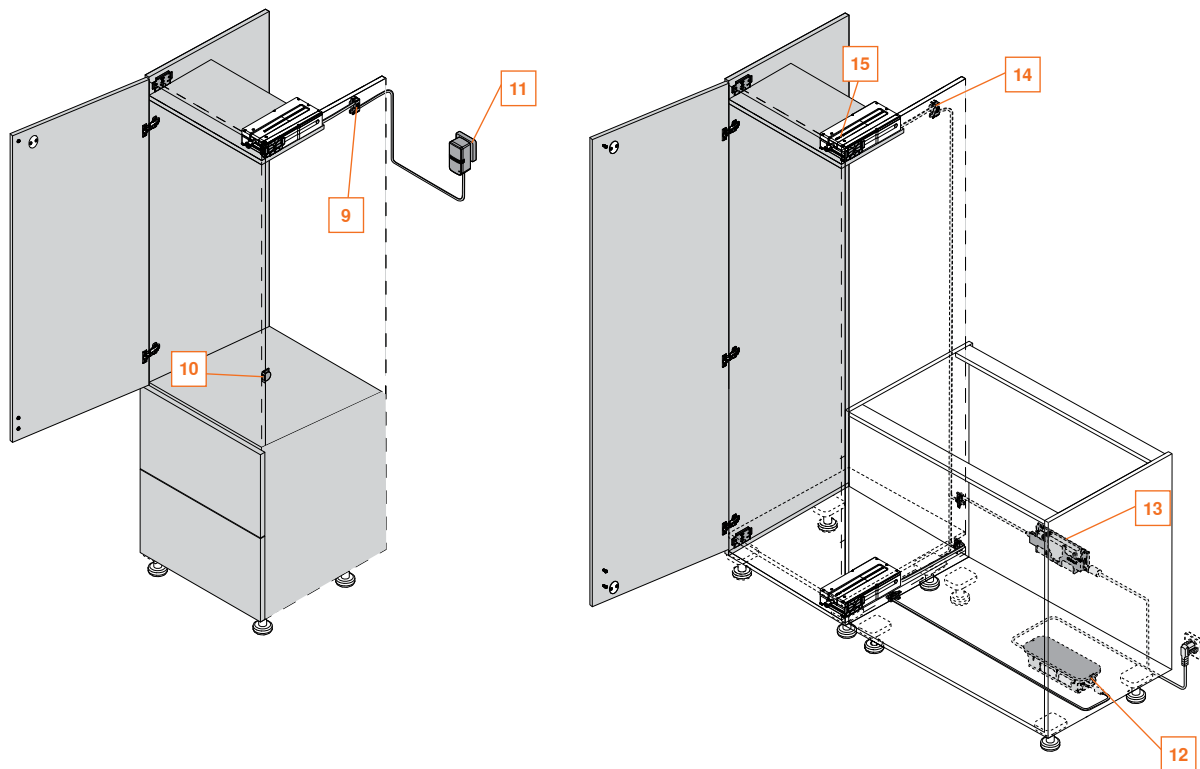
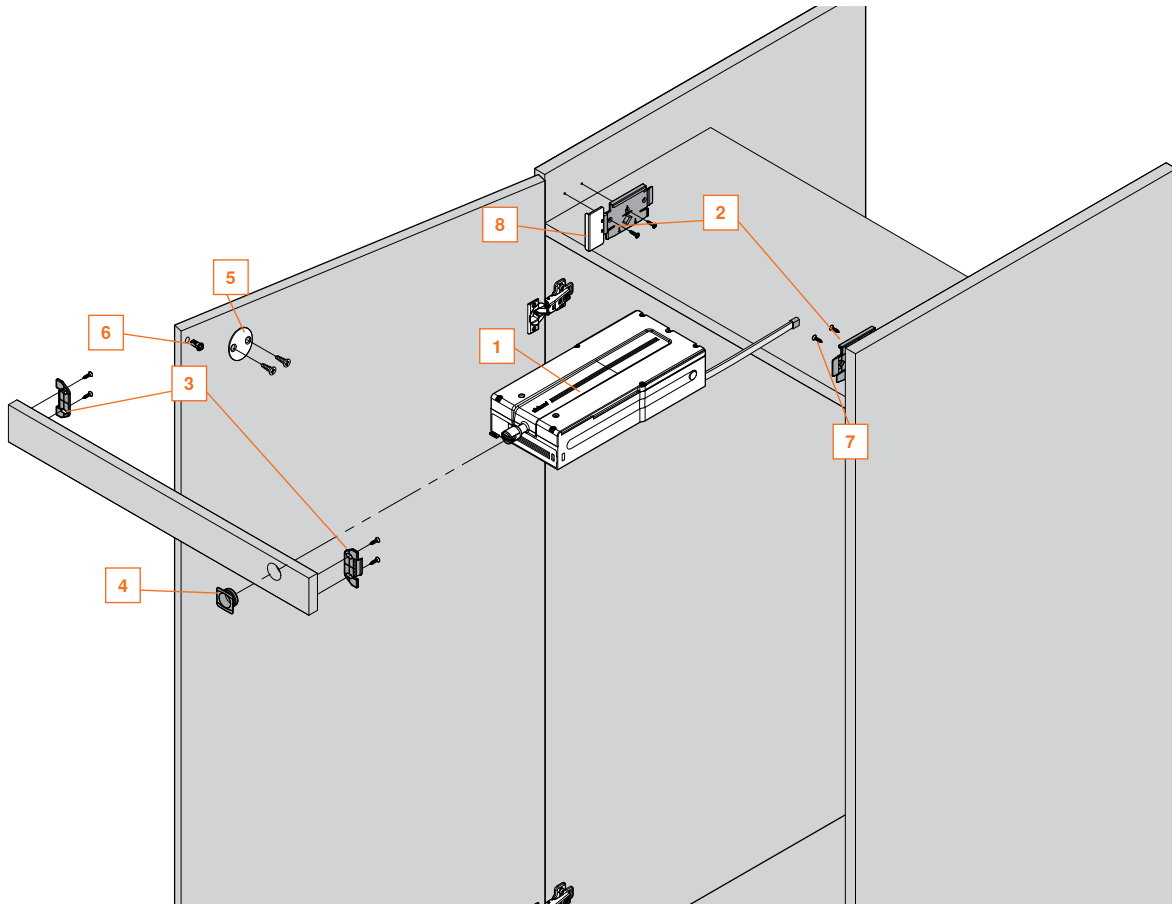
Refrigerators and freezers	8
Dishwashers	9
Cables/plugs	10

## Planning/assembly/removal

Refrigerators and freezers	12
Dishwashers	16
Transformer	19

NH	Recess height
BS	Front gap
SWD	Side panel thickness

APL-UK	Bottom edge of work tops
APÜ	Protrusion of work tops
VPEH	Packaging unit

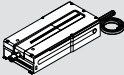
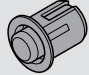
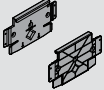
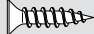
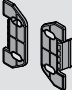


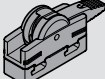



# SERVO-DRIVE flex

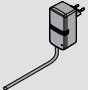
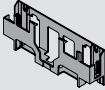
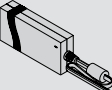
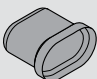




## Components


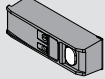
### SERVO-DRIVE flex set

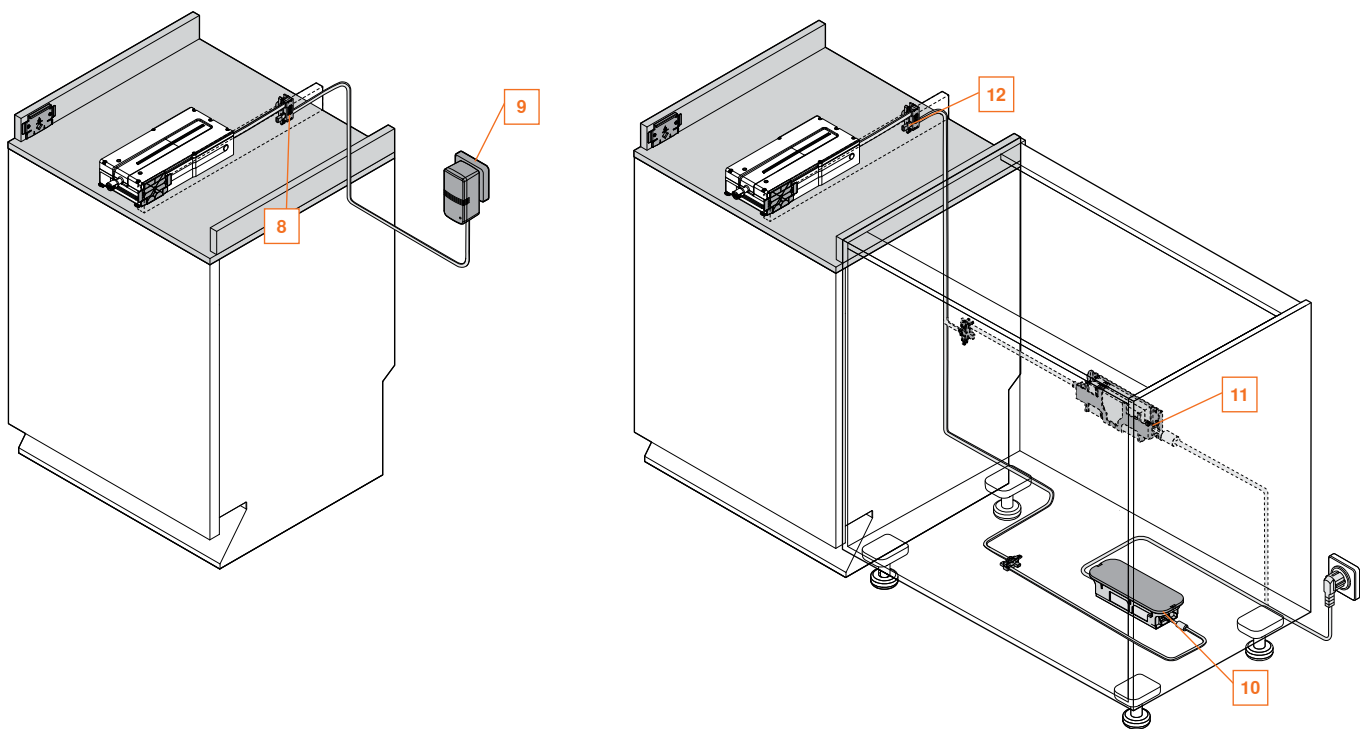
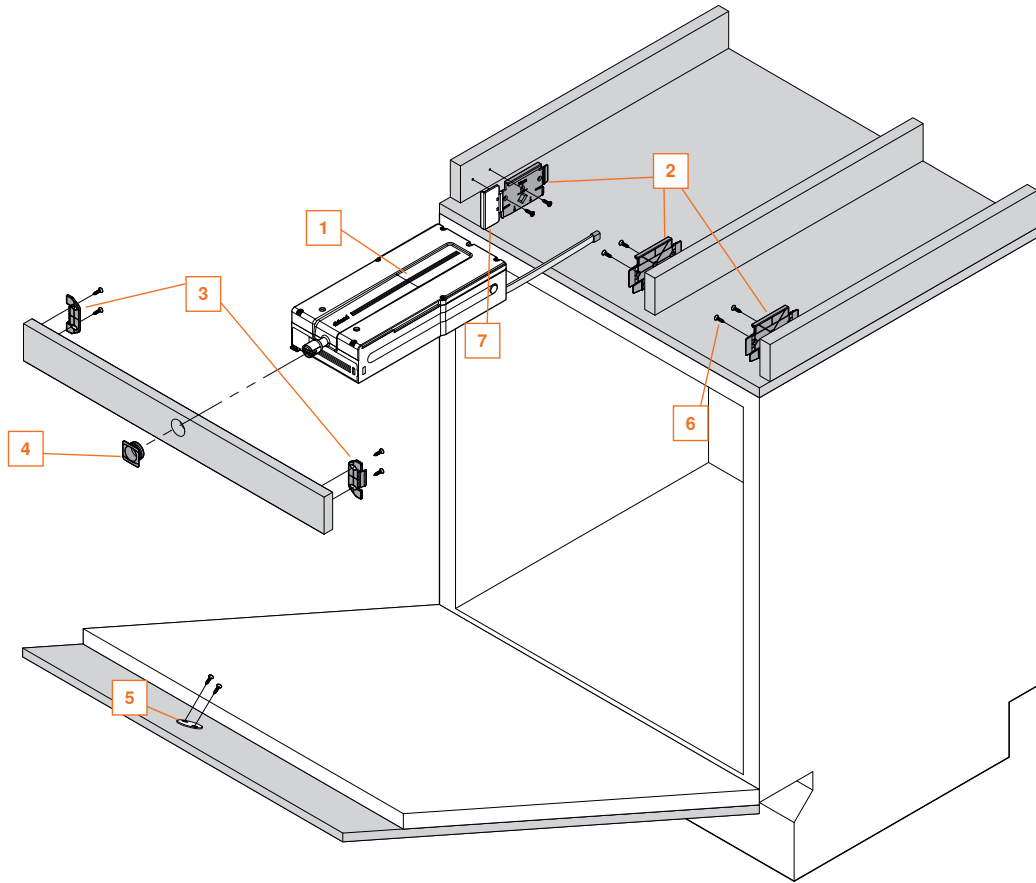
<b>1</b>	<b>Drive unit</b>	<b>1x</b>	<b>6</b>	<b>Blum distance bumper</b>	<b>3x</b>
	Drive unit opens handle-less refrigerators, freezers and dishwashers.			The Blum distance bumper ensures the required trigger path of 2mm.	
<b>2</b>	<b>Mounting plate</b>	<b>2x</b>	<b>7</b>	<b>Chipboard screw</b>	<b>11x</b>
	Mounting plate for clipping on the drive unit and the front.				
<b>3</b>	<b>Front fastening</b>	<b>2x</b>	<b>8</b>	<b>Assembly jig</b>	<b>1x</b>
	Fitting for fastening the front to the side mounting plates.			Jig for positioning the mounting plate on the side of the cabinet.	
<b>4</b>	<b>Front cover</b>	<b>1x</b>	<b>9</b>	<b>Connecting node</b>	<b>1x</b>
	Cover guarantees a consistent appearance.			This node establishes the electrical connection between the distribution cable and the transformer.	
<b>5</b>	<b>Catch plate</b>	<b>1x</b>			
	Catch plate for assembly on the front. This guarantees secure closing when opened unintentionally.				

### Accessories required depending on installation situation (see page 8):

<b>11</b>	<b>Wall power supply 16 W</b>		<b>13</b>	<b>Transformer unit housing for panel fixing</b>	
	Wall power supply for use with a single SERVO-DRIVE flex drive unit.			If the transformer is to be attached to the panel, then the 'panel' version of the transformer unit housing is used.	
<b>12 + 13</b>	<b>Blum transformer 72 W</b>		<b>14</b>	<b>Cable end protector</b>	
	When using more than one SERVO-DRIVE flex drive unit, the 72 W transformer is required.			The cable end protector is inserted into the ends of the cable.	
<b>12</b>	<b>Transformer unit housing for cabinet underside fixing</b>			<b>Synchronisation cable 300 cm</b>	
	The transformer is easily and securely stored in the 'base' version of the transformer unit housing.			This cable is required for the synchronisation of two SERVO-DRIVE flex units.	

### Optional accessories:

<b>10</b>	<b>SERVO-DRIVE switch</b>		<b>15</b>	<b>Wireless receiver</b>	
	The switch can optionally be used in combination with the wireless receiver to extend the trigger region.			The receiver is inserted into the drive unit tool-free and synchronised with the SERVO-DRIVE switch via wireless connection.	

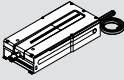
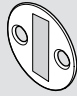
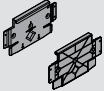
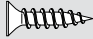
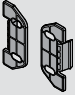


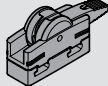


# SERVO-DRIVE flex

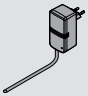
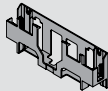
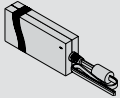
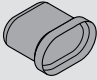
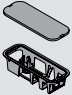
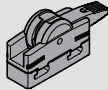


## Components


### SERVO-DRIVE flex set

1	<b>Drive unit</b>	1x	5	<b>Catch plate</b>	1x
	Drive unit opens handle-less refrigerators, freezers and dishwashers.			Catch plate for assembly on the front. This guarantees secure closing when opened unintentionally.	
2	<b>Mounting plate</b>	2x	6	<b>Chipboard screw</b>	11x
	Mounting plate for clipping on the drive unit and the front.				
3	<b>Front fastening</b>	2x	7	<b>Assembly jig</b>	1x
	Fitting for fastening the front to the side mounting plates.			Jig for positioning the mounting plate on the side of the cabinet.	
4	<b>Front cover</b>	1x	8	<b>Connecting node</b>	1x
	Cover guarantees a consistent appearance.			This node establishes the electrical connection between the distribution cable and the transformer.	

### Optional accessories for dishwashers

9	<b>Wall power supply 16 W</b>		11	<b>Transformer unit housing for panel fixing</b>	
	Wall power supply for use with a single SERVO-DRIVE flex drive unit.			If the transformer is to be attached to the panel, then the 'panel' version of the transformer unit housing is used.	
10 +11	<b>Blum transformer 72 W</b>		12	<b>Cable end protector</b>	
	When using more than one SERVO-DRIVE flex drive unit, the 72 W transformer is required.			The cable end protector is inserted into the ends of the cable.	
10	<b>Transformer unit housing for cabinet underside fixing</b>		8	<b>Connecting node</b>	1x
	The transformer is easily and securely stored in the 'base' version of the transformer unit housing.			This node establishes the electrical connection between the distribution cable and the transformer.	

### Additionally required for dishwashers

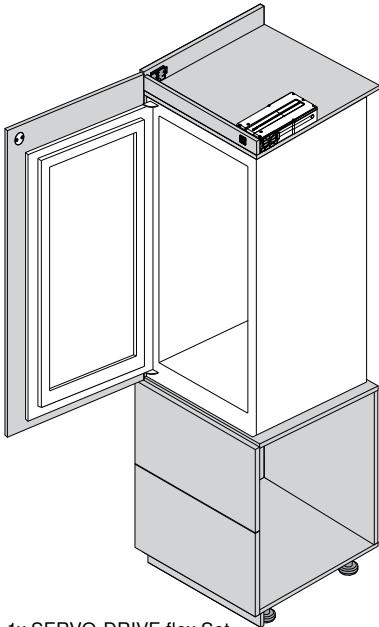
2	<b>Mounting plate</b>	1x
	Mounting plate for clipping on the drive unit and the front.	

## SERVO-DRIVE flex



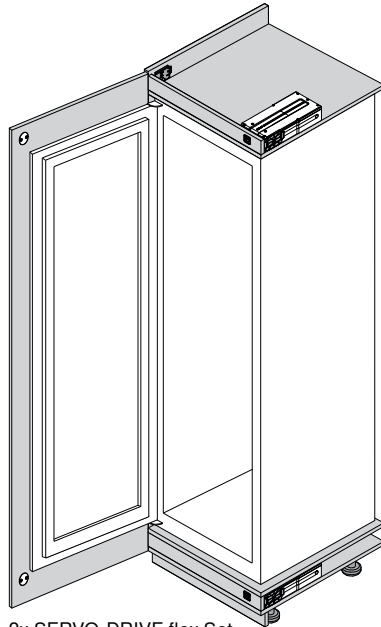
## Order specification

Refrigerator up to NH 178 cm,  
freezer up to NH 158 cm:



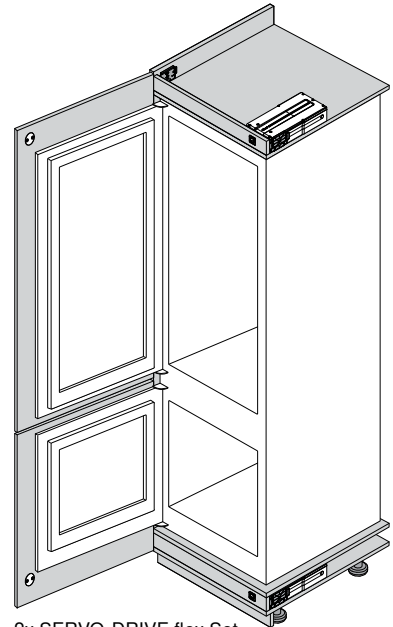
1x SERVO-DRIVE flex Set

Freezer  $\geq$  NH178:



2x SERVO-DRIVE flex Set

Fridge/freezer combinations:



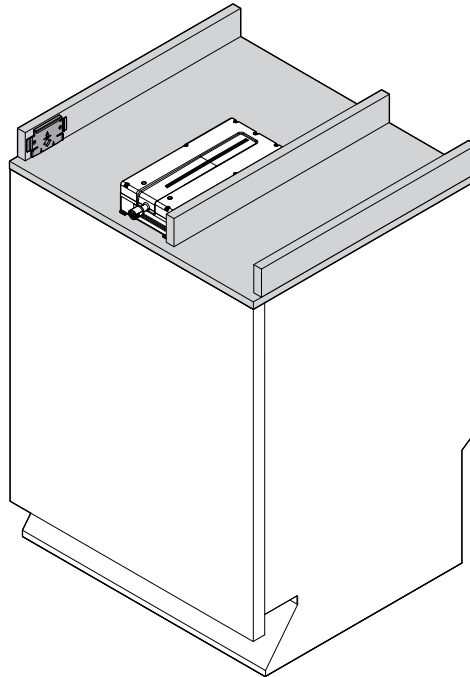
2x SERVO-DRIVE flex Set

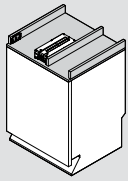
Ordering for one unit				
	SERVO-DRIVE flex set	VPEH	1x	Z10C500A
	Wall power supply 16 W (see table on page 10)		1x	Z10NA20(xy)F

Ordering for two units				
	SERVO-DRIVE flex set	VPEH	2x	Z10C500A
	Blum transformer 72 W (application for more than one unit, see table on page 10)		1x	Z10NE020x
	Flex		10x	Z10M200x
	Transformer unit housing for cabinet underside fixing		10x	Z10NG000
	Alternative: Transformer unit housing for panel fixing		10x	Z10NG120
	Synchronisation cable 300 cm, R7035 light grey (only for freezers with a height of 178 cm)		1x	Z10K300A
	Connecting node		50x	Z10V1000.01
	Black distribution cable for cutting to size			Z10K300A
	Cable end protector		100x	Z10K0008
	Cable holder		100x	Z10K0009
	Recommended for the fridge/freezer combination:			
	SERVO-DRIVE switch		20x	Z1P5020
	Wireless receiver		20x	Z10C5007



Dishwashers:

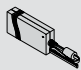


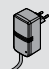
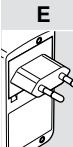
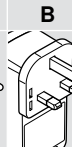

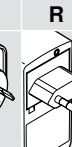

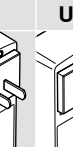
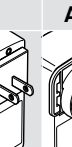
Ordering for dishwashers			
	SERVO-DRIVE flex set drive unit	VPEH 1 x	Z10C500A
	Wall power supply 16 W (see table on page 10)	1 x	Z10NA20(xy)F
	Additional mounting plate for use with dishwashers	50 x	Z10C5005

* Set components can also be ordered individually			
	SERVO-DRIVE flex drive unit	VPEH 10	Z10C5000
	Catch plate	50x	Z10C5004
	Mounting plate	50x	Z10C5005
	Front fastening	50x	Z10C5006
	Front cover	50x	Z10C5009
	Blum distance bumper	100x	993.0530
	Assembly jig	1x	Z10C500-18
	Chipboard screw	100x	609.1500


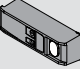
Transformer and wall power supply:

Flex		
	Countries	
	Flex Europe	10 pieces Z10M200E
	Flex CH	10 pieces Z10M200C
	Flex US, CA	10 pieces Z10M200U
	Flex JP	10 pieces Z10M200J
	Flex BR	10 pieces Z10M200S.01
	Flex UK	10 pieces Z10M200B
	Flex DK	10 pieces Z10M200D
	Flex IL	10 pieces Z10M200I
	Flex AU	10 pieces Z10M200K
	Flex CN	10 pieces Z10M200N
	Flex AR	10 pieces Z10M200A
	Flex IN	10 pieces Z10M200H
	Flex CL	10 pieces Z10M200L
	Flex TW	10 pieces Z10M200T
	Flex ZA	10 pieces Z10M200Z
	Flex Europe without plug	10 pieces Z10M200E.OS

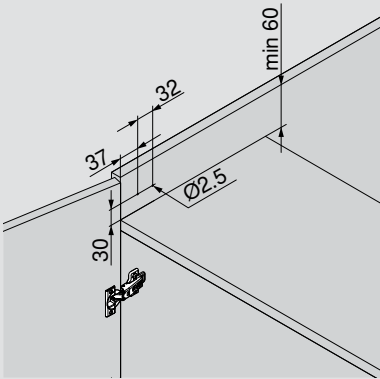
Blum transformer		
	72 W	10 pieces
	Language packages – installation instructions and instruction leaflet	
<b>A</b>	DE, EN, FR, IT, NL	Z10NE020A
<b>B</b>	DA, EN, FI, NO, SV	Z10NE020B
<b>C</b>	EL, EN, HR, SL, SR, TR	Z10NE020C
<b>D</b>	EN, ES, FR, IT, PT	Z10NE020D
<b>E</b>	CS, HU, SK, PL	Z10NE020E
<b>F</b>	BG, ET, LT, LV, RO, RU	Z10NE020F
<b>G</b>	EN, ES, FR, (US, CA)	Z10NE020G
<b>H</b>	EN, ZH	Z10NE020H
	Only one Blum transformer permitted per distribution cable!	

Blum wall power supply 16 W						
Network adapter (x) *						
	<b>E</b>	<b>B</b>	<b>K</b>	<b>R</b>	<b>N</b>	<b>U</b>
						
						
	<b>Language package (y)</b>					
<b>A</b>	DE, EN, FR, IT, NL			<b>E</b>	CS, HU, PL, SK	
<b>B</b>	DA, EN, FI, NO, SV			<b>F</b>	BG, ET, LT, LV, RO, RU	
<b>C</b>	EL, EN, HR, SL, SR, TR			<b>G</b>	EN, ES, FR	
<b>D</b>	DE, EN, ES, FR, IT, NL			<b>H</b>	EN, ZH	
						<b>Part no.</b>
Variable						Z10NA20(xy)F

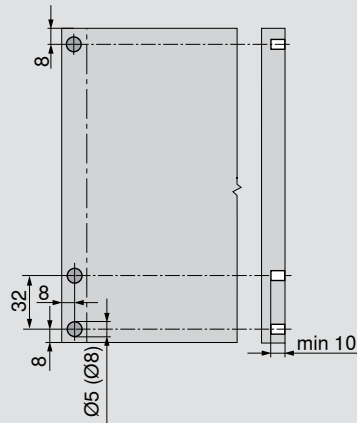
\*Not permitted for more than one drive unit!

Optional accessories for refrigerators and freezers to extend the trigger region		
	SERVO-DRIVE switch	Z1P5020
	Wireless receiver	Z10C5007

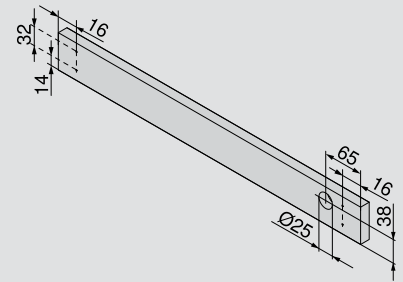
Preparation/drilling



Drilling for mounting plate

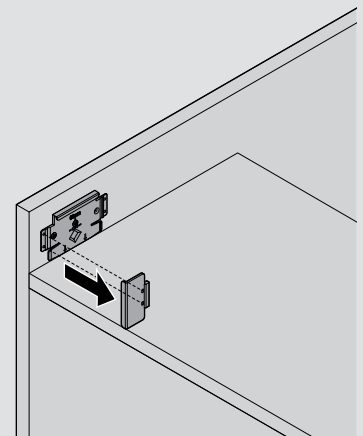
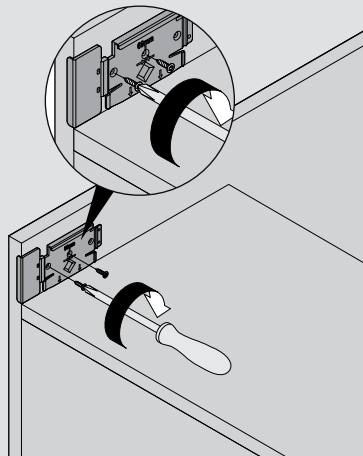
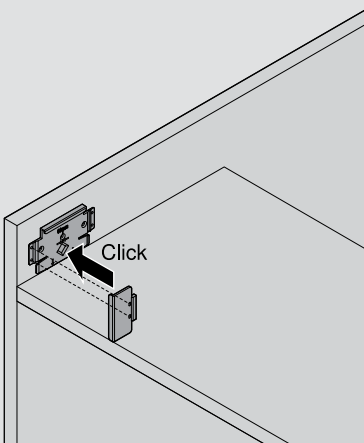


Drilling front for bumper

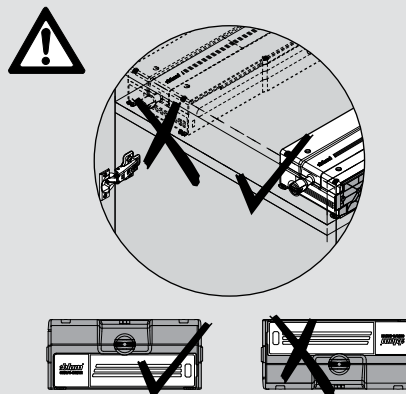
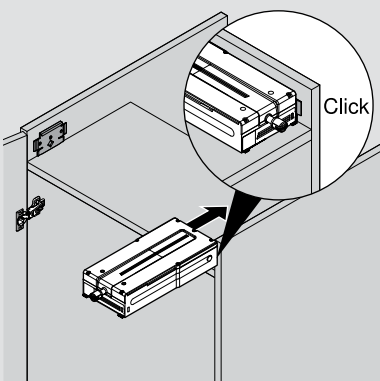


Drilling front

Assembly using assembly jig

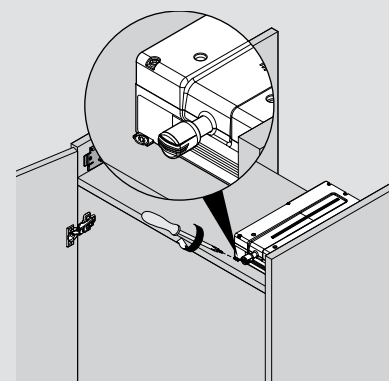


Drive unit assembly

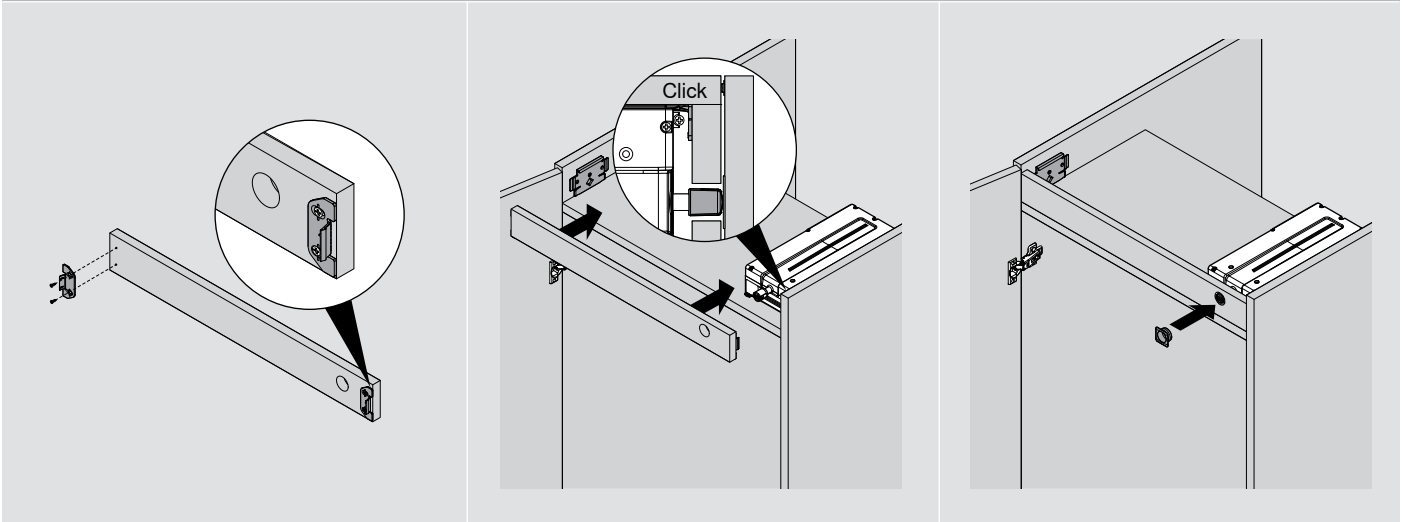


Important notes!

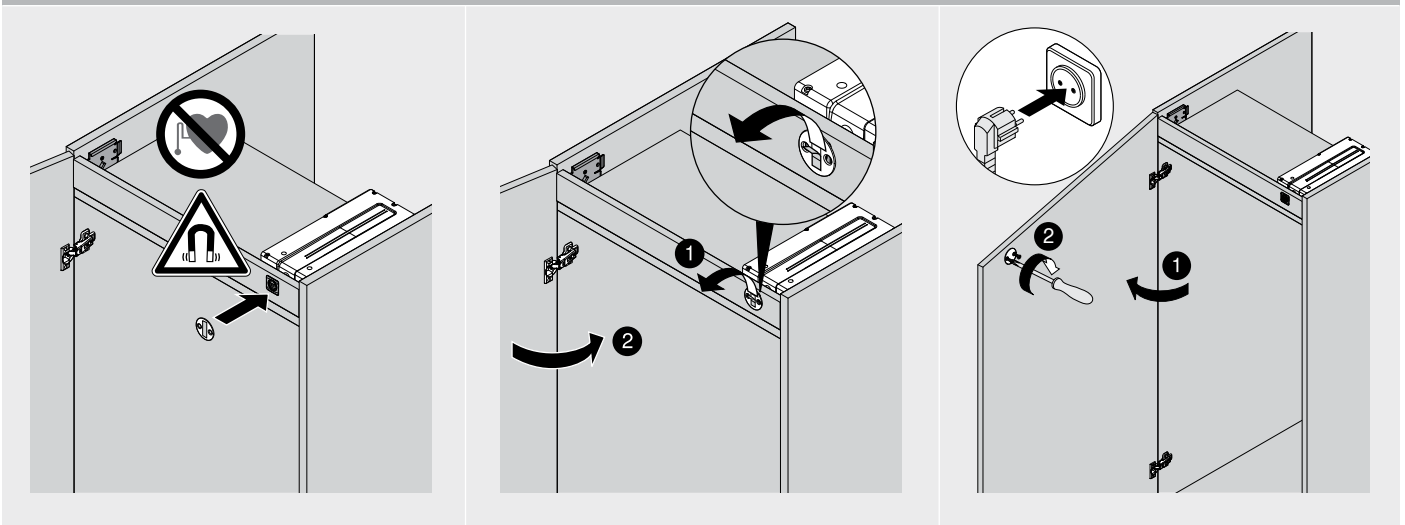
Transportation lock



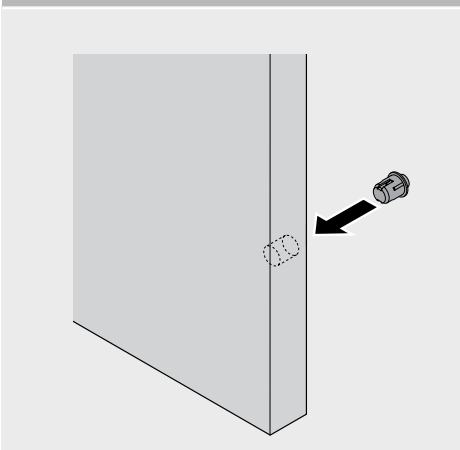
Front assembly



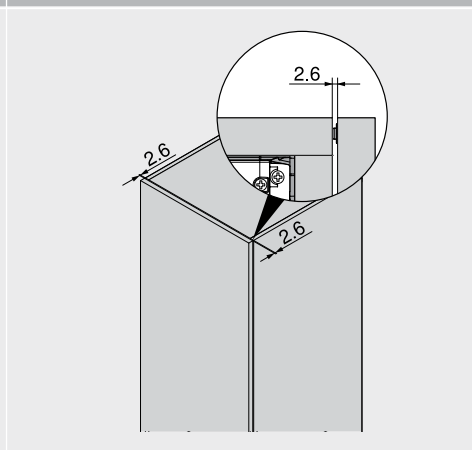
Catch plate assembly



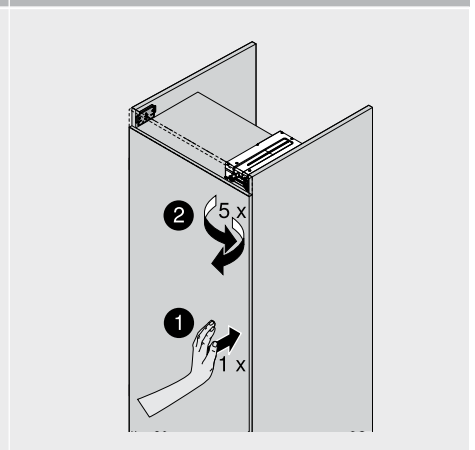
Assemble bumper



Adjust front gap



Reference run for start-up

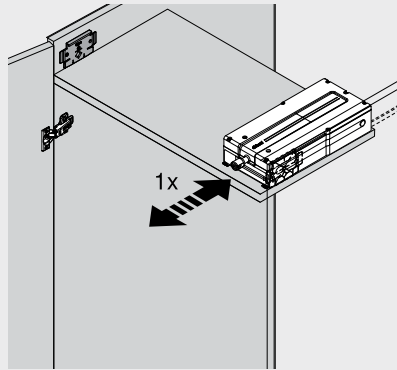
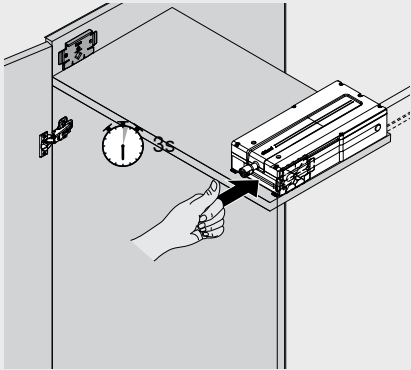


# SERVO-DRIVE flex

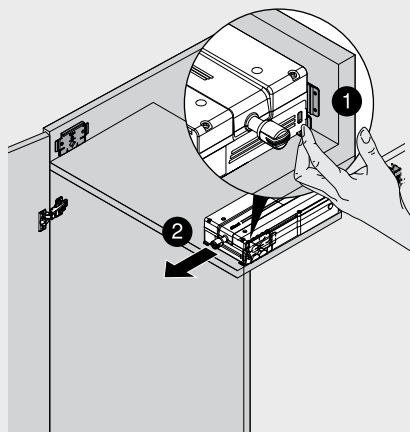
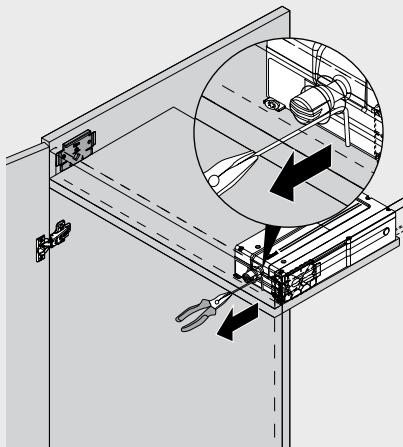


## Removal for refrigerators and freezers

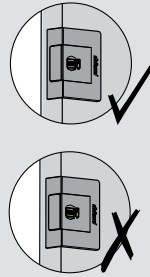
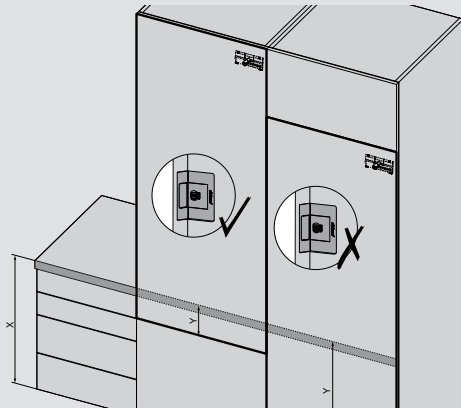
### Reset SERVO-DRIVE unit



### Removal



Recommendation for using wireless switch

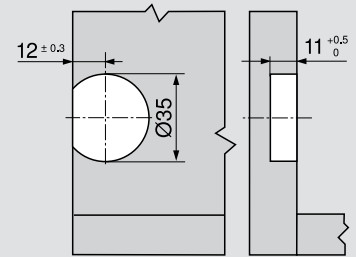


$y \leq 200 \text{ mm}$

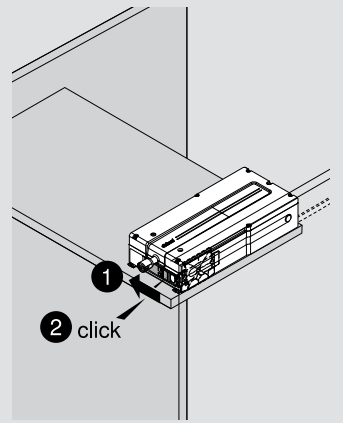
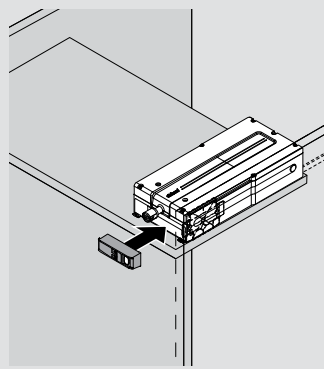
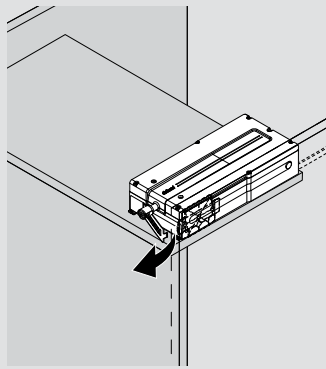
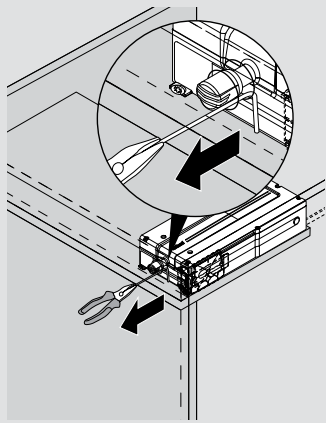
$y > 200 \text{ mm}$

x = Work top height

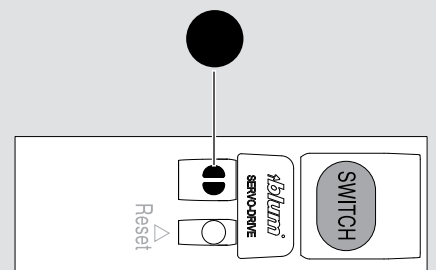
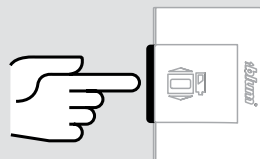
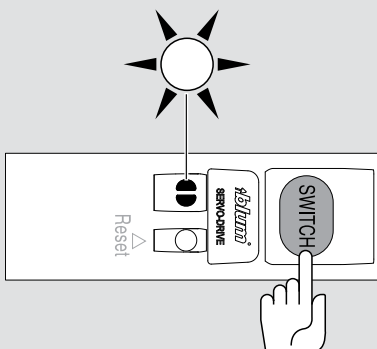
Wireless switch assembly



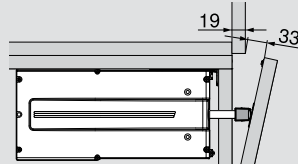
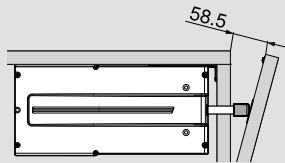
Wireless receiver assembly



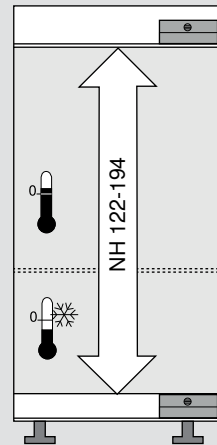
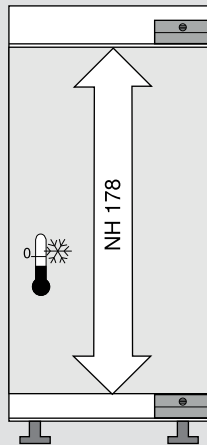
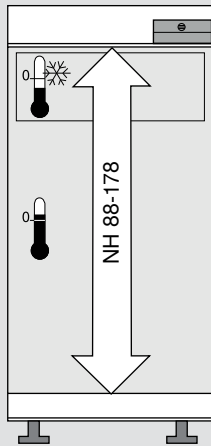
Wireless switch activation



Access gap – measurements



Installation situations (number of SERVO-DRIVE flex units required depends on the respective application)

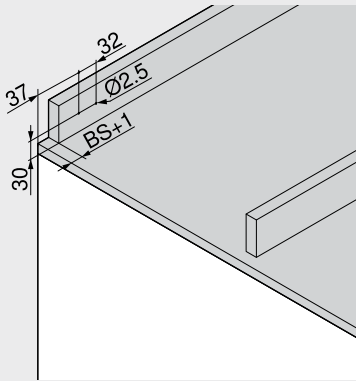


General notes

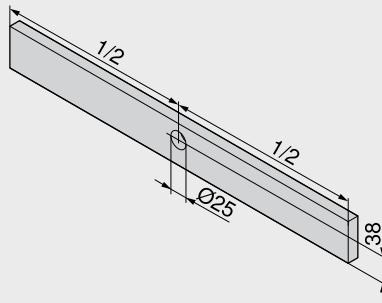


If the door of the device is left open for a relatively long time, for example when putting away shopping, a vacuum may be created inside the refrigerator or freezer once it has been closed. This may result in it not being possible to open the door of the device for a few seconds. This vacuum normally disappears after a short amount of time and the opening function becomes fully operational once again.

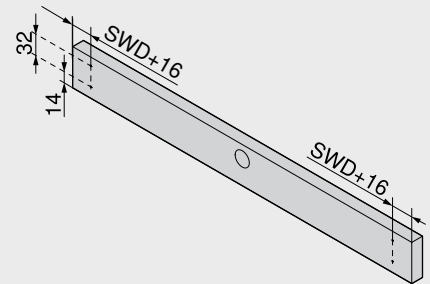
Preparation/drilling



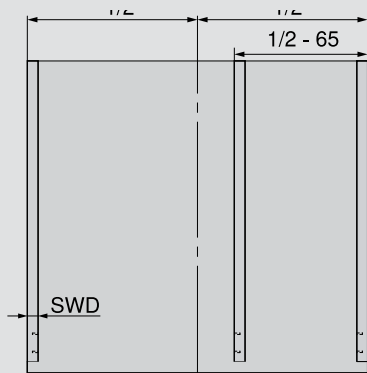
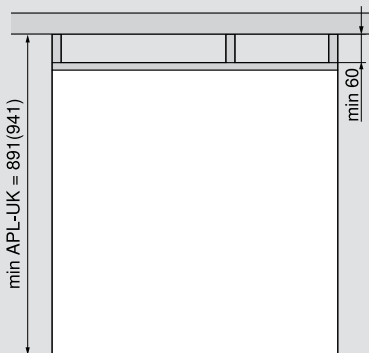
Drilling for mounting plate



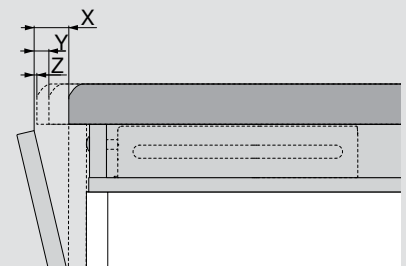
Drilling front



Drive unit planning



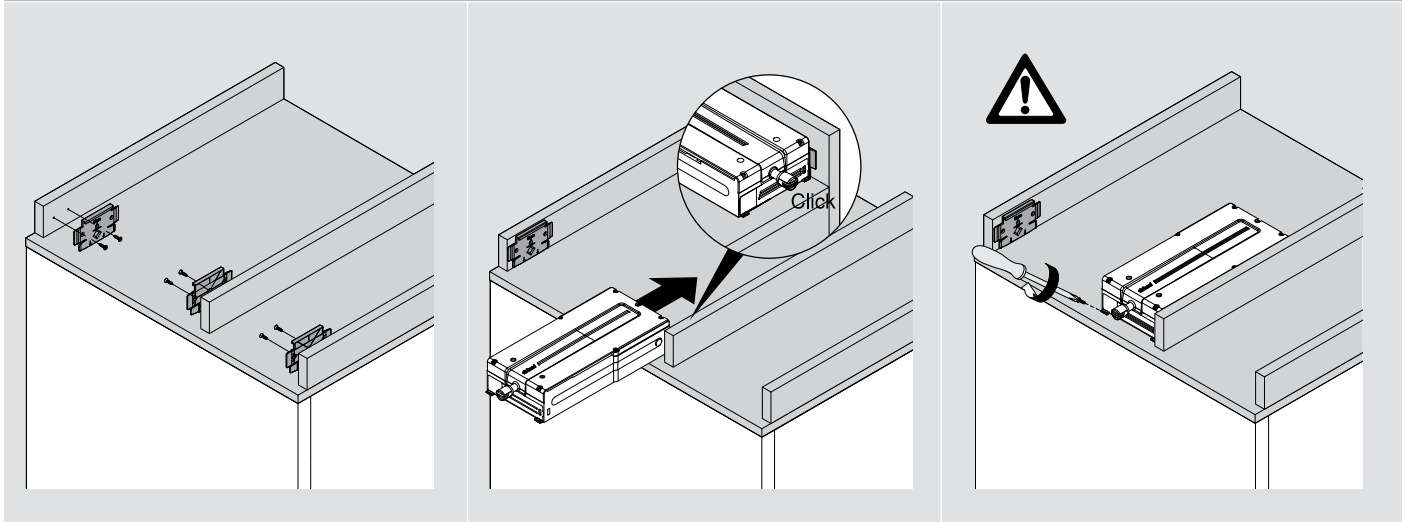
Access given protrusion of work tops



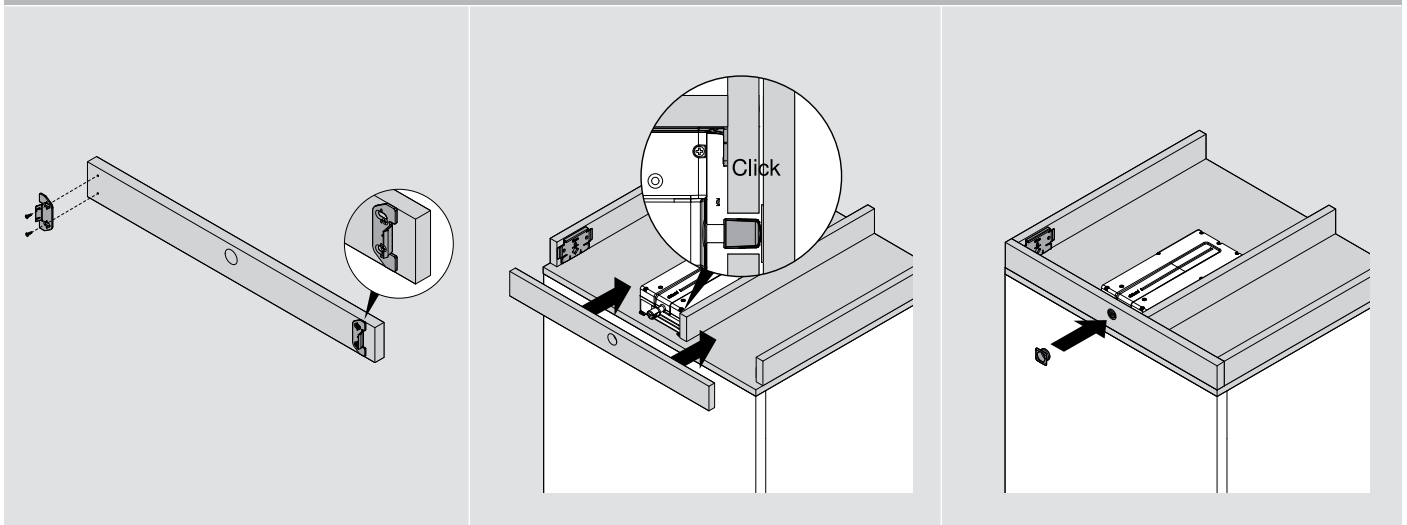
X	30 mm	APÜ	0 mm
Y	10 mm	APÜ	20 mm
Z	0 mm	APÜ	30 mm



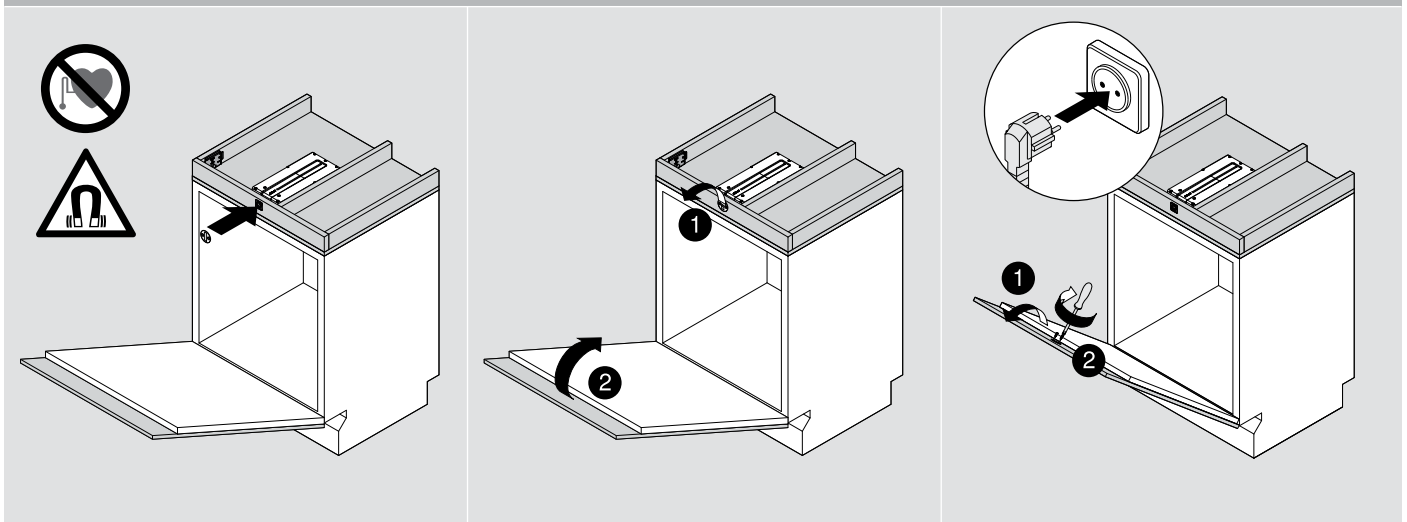
Drive unit assembly



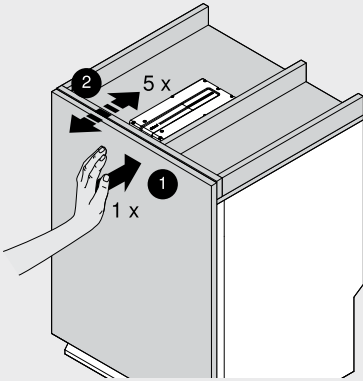
Front assembly



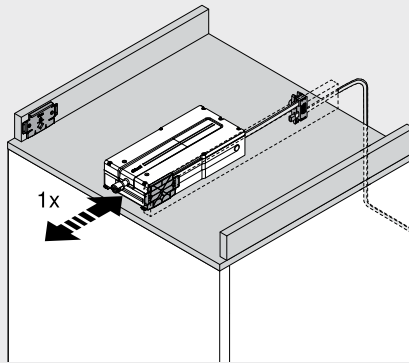
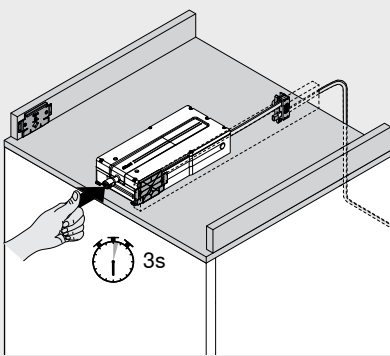
Catch plate assembly



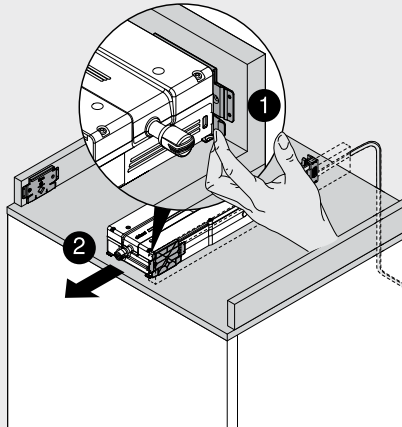
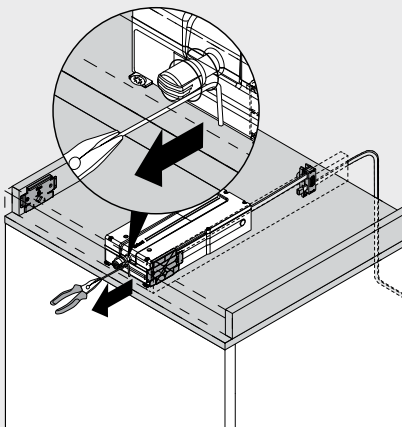
Reference run



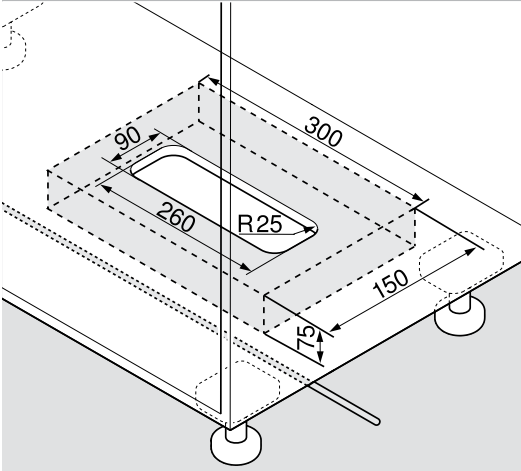
Reset SERVO-DRIVE unit



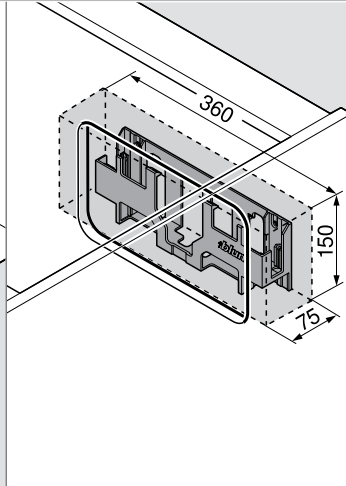
Removal



Space requirement + safety distance for transformer unit housing



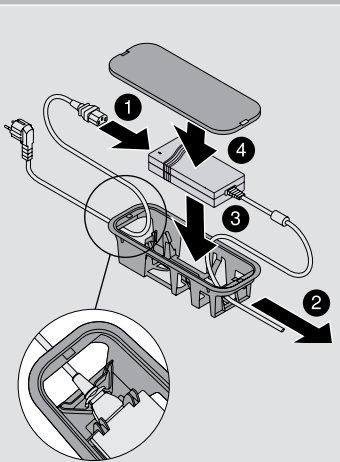
Base mounting



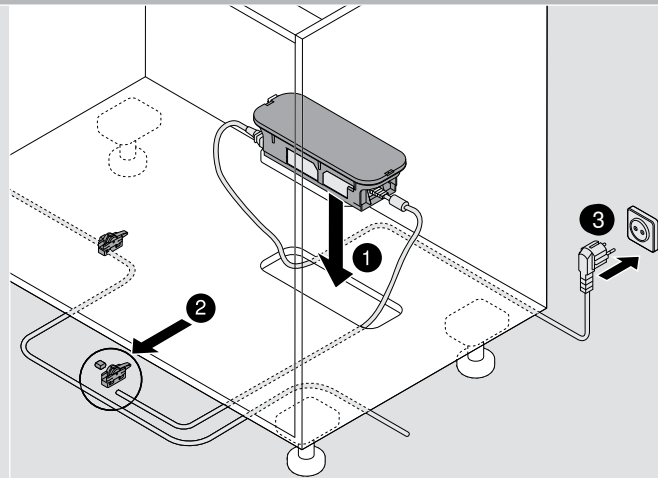
Panel mounting

Note:  
Maintain a 30 mm safety distance from the bottom edge (base mounting) and/or front edge (panel mounting) and side edges of the transformer unit housing to the neighbouring elements to allow for air circulation; otherwise, there is a risk that the Blum transformer could overheat.

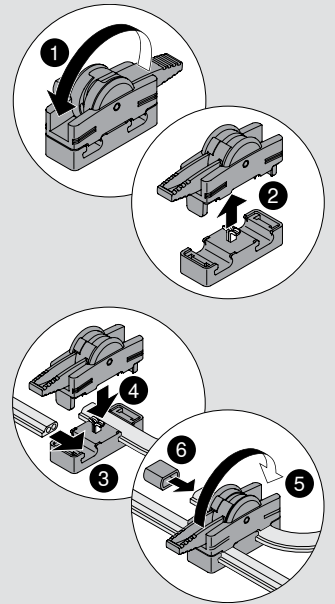
Transformer unit housing for base mounting



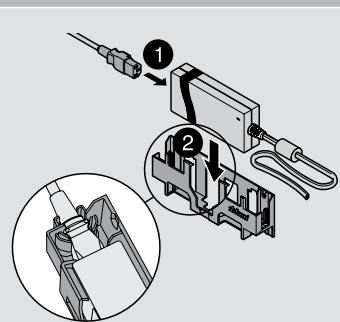
Pull-out stop



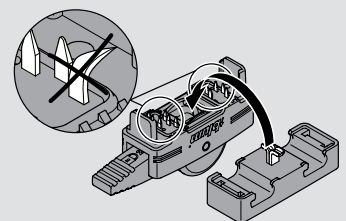
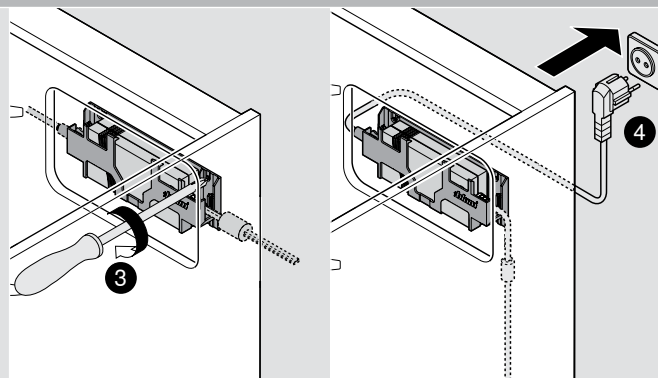
Connecting node assembly



Transformer unit housing for panel fixing

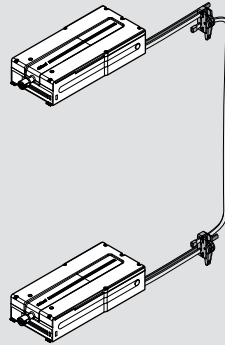
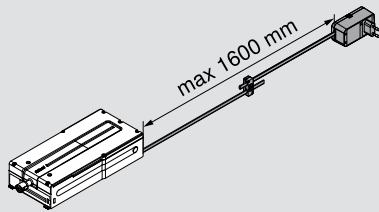


Pull-out stop



Do not damage piercing pins!

Cabling/information



Black = power supply  
Light grey R7035 = communication  
(synchronisation cable)