

Flush when closed, completely open.

Hardware for bi-folding cabinet pocket doors up to 25 kg (55 lbs.) per door.

Description

Flush cabinet fronts open fully end to end with HAWA-Folding Concepta 25. Two wood doors can be folded and pushed into the side of the cabinet body or wall recess. This folding/slide-in hardware is flexibly adaptable to construction and design. Room-high designs and walk-in cabinets are easy and efficient to implement. Even practical work recesses, from kitchen worktop to ceiling, disappear behind the folding doors. Uniform front designs for a cabinet or kitchen front are also possible, including combinations with HAWA-Concepta 25/30/40/50 or with pivot doors, thanks to door gaps of 2–5 mm ($\frac{3}{32}$ "– $\frac{7}{32}$ ").

The well-thought-out concept provides for two basic installation solutions. On the one hand, the base profile allows for simple cabinet designs for overlaying cabinet fronts; on the other hand, the cabinet base can be omitted to allow for ideal, flexible room use with uninterrupted flooring.

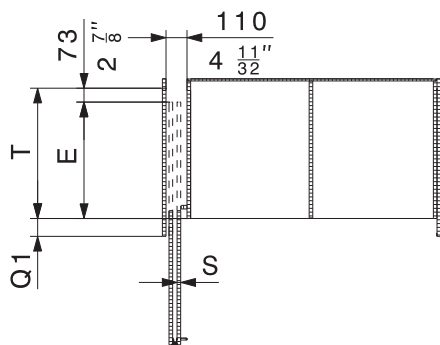
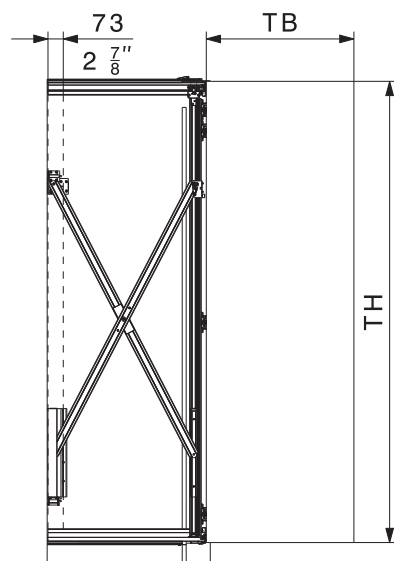
Convenience, cleverness and quality: these three terms clearly belong to the HAWA-Folding Concepta 25. Doors are opened and closed conveniently with one hand, the magnetic centring elements cleverly hold the doors in position, and the second door of the folding package cannot sag even under intensive use thanks to a positively driven trolley.

Applications

Its advantages are obvious wherever variable room utilisation and unobstructed access should leave a tidy impression, for instance in the home office in the bedroom, the kitchen in the living room, or the utility area in the bathroom.

Features of the HAWA-Folding Concepta 25

- Max. door weight: 25 kg (55 lbs.) [per pair of panels 50 kg (110 lbs.)]
- Door width: 300–700 mm ($11\frac{13}{16}$ "– $2'3\frac{3}{16}$ ")
- Door height: 1250–2600 mm ($4'1\frac{7}{32}$ "– $8'6\frac{3}{8}$ ")
- Door thickness: 19–28 mm ($\frac{3}{4}$ "– $1\frac{1}{8}$ ")
- Opened: free access to the entire cabinet front
- closed: flush with the adjacent areas
- Two pairs of folding doors enable cabinet fronts up to 2800 mm ($9'2\frac{1}{4}$ ") in width to be stored in the cabinet depth
- The folding door pair can be pushed in fully flush with the external side
- Low slide-in loss of 73 mm ($2\frac{7}{8}$ ") in the cabinet depth
- Continuous gap pattern and uniform front designs, also in combination with HAWA-Concepta 25/30/40/50 and pivot doors
- Room-high designs without a cabinet base allow for recess enclosures and walk-in cabinets with uninterrupted flooring
- Cabinet designs from worktop to ceiling are possible
- All adjustments are made from the front
- Integrated cabinet body and side connectors simplify the installation of cabinets with overlaying fronts
- Unique scissor technology prevents any jamming when folding and sliding
- The lock catch from HAWA and the espagnolette lock TERZA 3017 from Heusser make cabinet fronts lockable
- Certified LGA



$$T = TB + 73 \text{ mm } (2\frac{7}{8}) - Q1$$

$$E = T - 73 \text{ mm } (2\frac{7}{8})$$

$$Q1 = 75 \text{ mm } (2\frac{31}{32}) + S$$

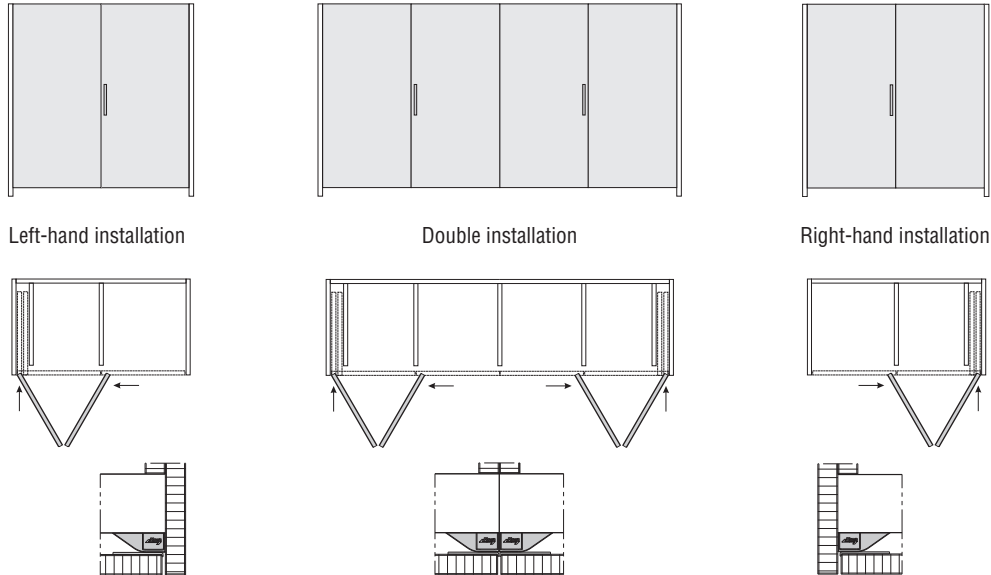
Subject to modification. Metric specifications are exact. Inches are approximate.

Design option

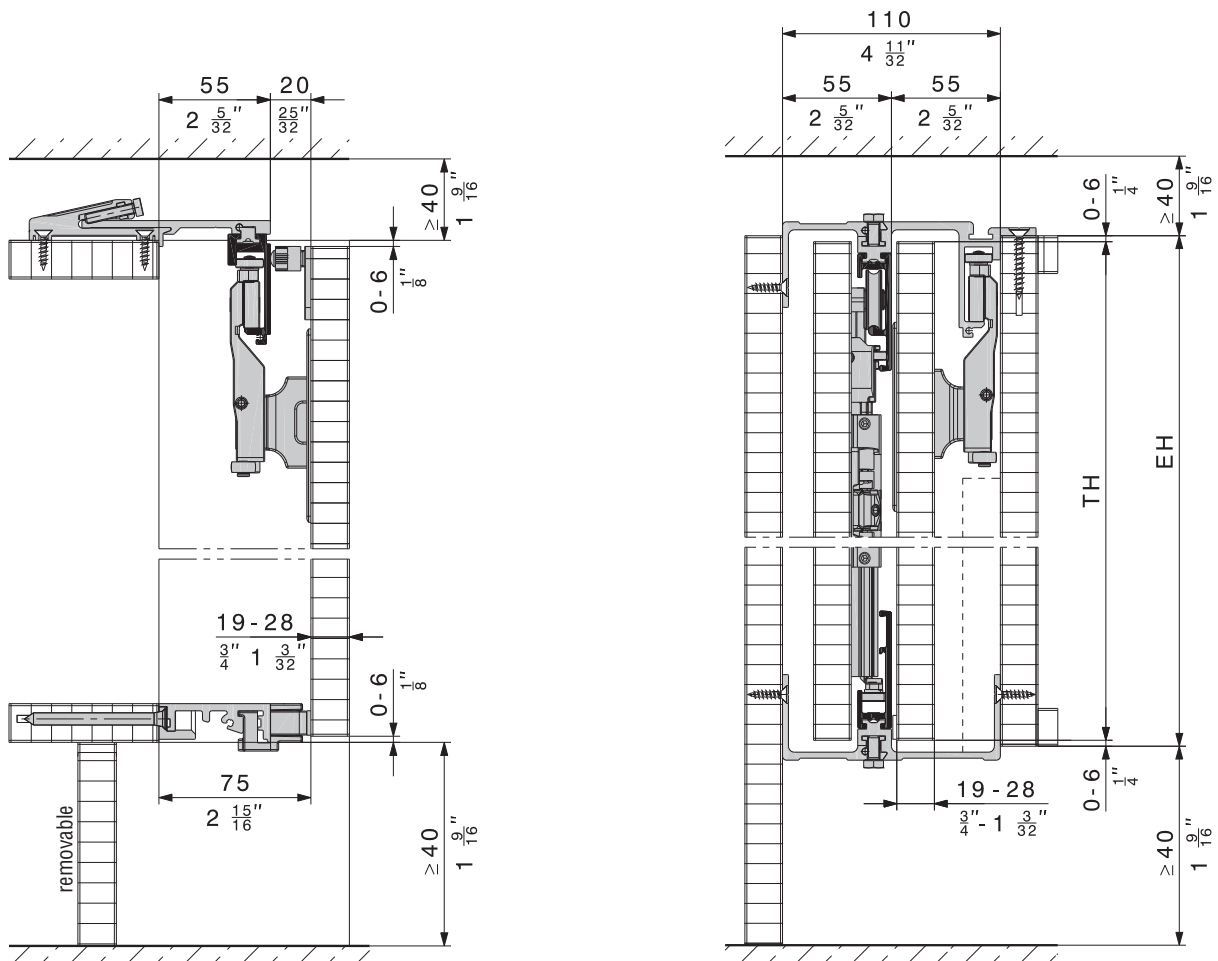
The different design options allow to implement a large variety of projects. Walk-in systems in recesses or cabinets that reach from floor to ceiling are possible, as are semi height solutions reaching from the worktop to the ceiling. The large area that can be covered is also an interesting aspect. For instance: with two pairs of folding doors, cabinet fronts measuring up to 2800 mm (9'2 1/4") in width fold away and slide into the cabinet depth.

Design with an overlaying cabinet front

The optionally available base profile enables the design of simple cabinet bodies with an overlaying cabinet front. The leading ramp included in the set positions the doors flush with adjacent areas.

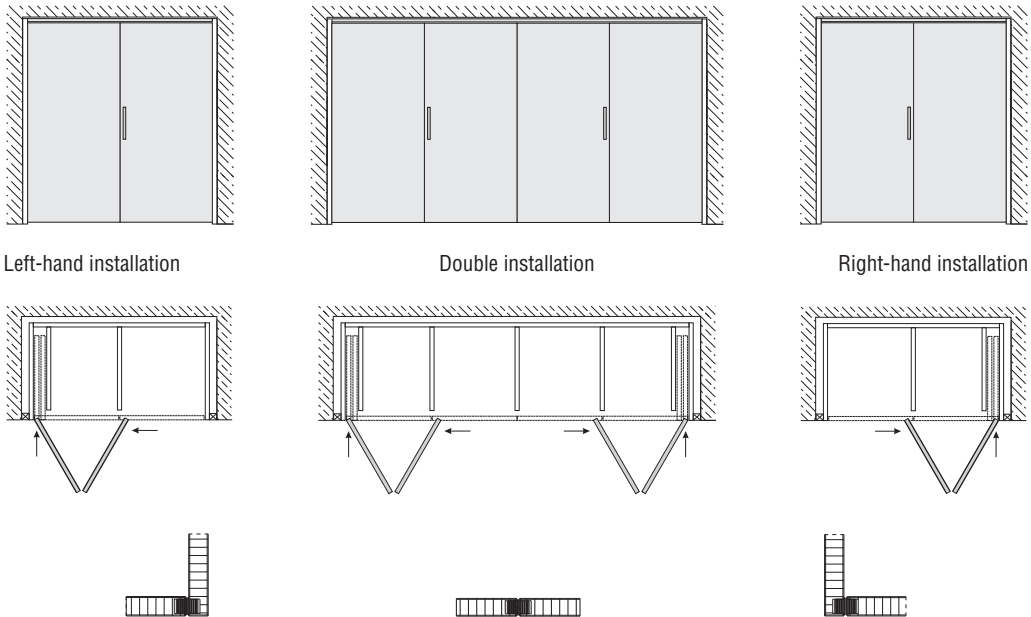


Flush door positioning with base profile and liner ramp

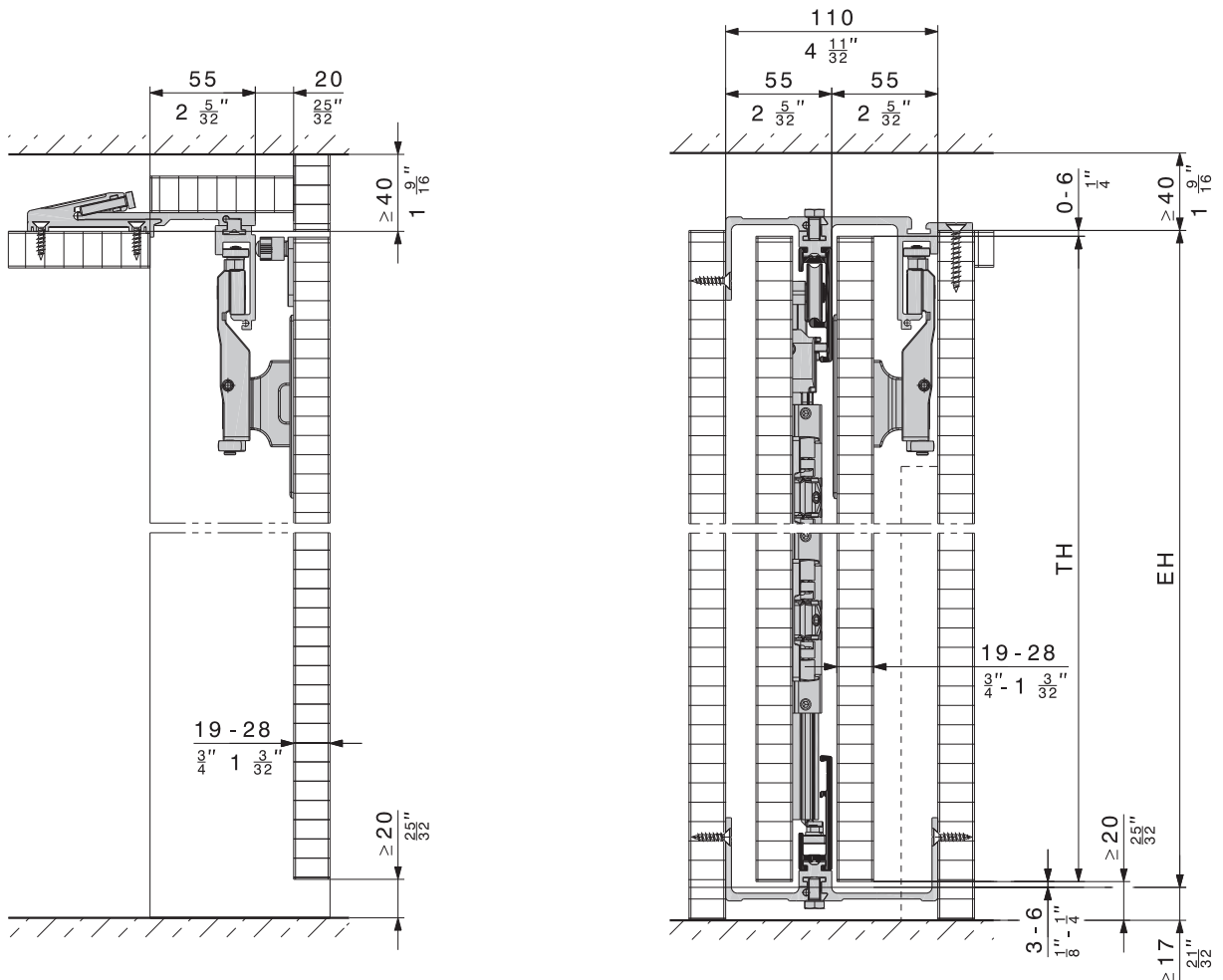


Recess cover without a base and with a ceiling connection

Room-high cabinet designs without a base allow to close off recesses with gaps of just 20 mm ($\frac{25}{32}$ ") from door to floor and 40 mm ($1\frac{9}{32}$ ") from door to ceiling. It is also possible to design walk-in cabinets with uninterrupted flooring.



Flush door centering with magnetic centring components



Subject to modification. Metric specifications are exact. Inches are approximate.

Doors reaching from the worktop to the upper cabinet edge

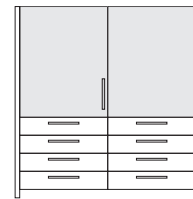
Design options with semi height bi-folding pocket doors reaching from the worktop to the ceiling demonstrate the extensive flexibility of the HAWA-Folding Concepta 25.



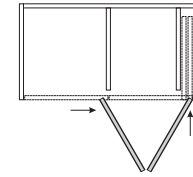
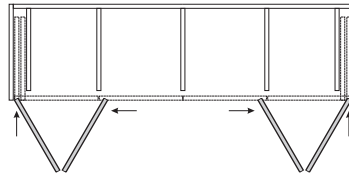
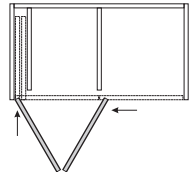
Left-hand installation



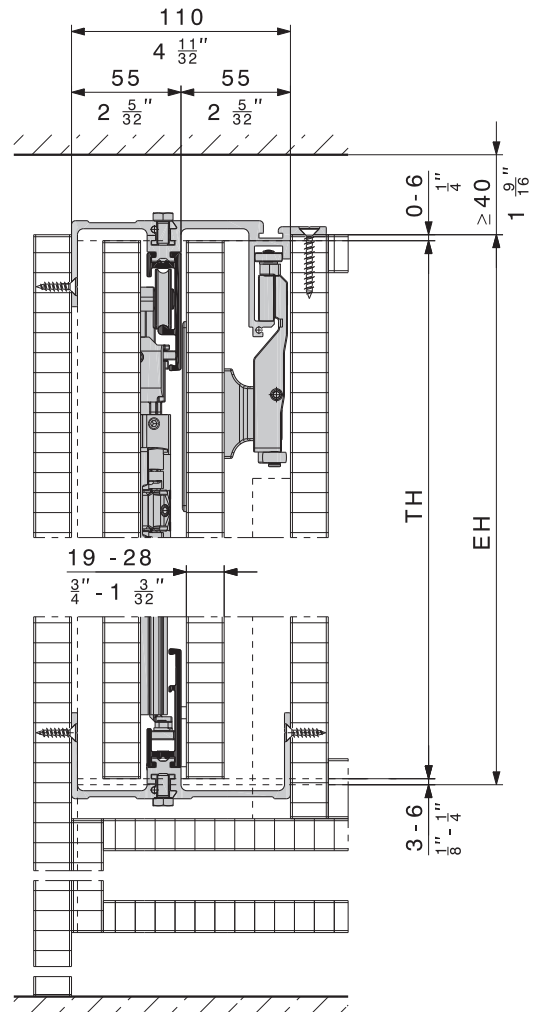
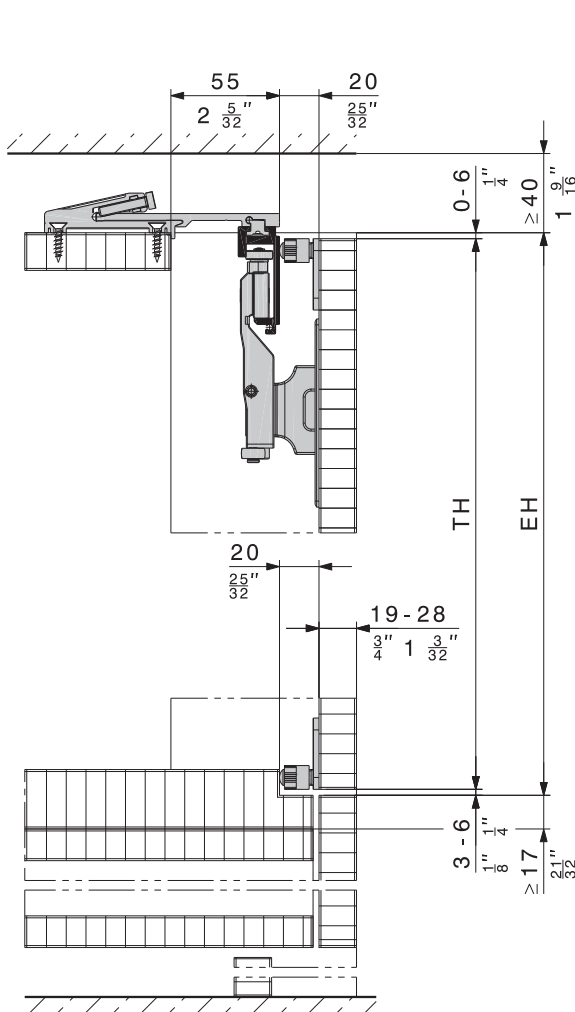
Double installation



Right-hand installation



Flush door centering with magnetic centring components


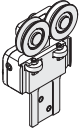
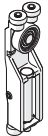

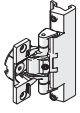
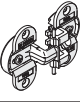
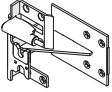
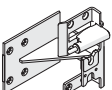




Subject to modification. Metric specifications are exact. Inches are approximate.

Sets, HAWA-Folding Concepta 25

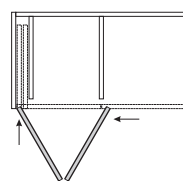
| | door height mm/inch | | code |
|--|--|-------|-------|
| HAWA-Folding Concepta 25, partial set for 1 pair of folding doors | 1250–1850 (4'1 ⁷ / ₃₂ "–6'0 ²⁷ / ₃₂ ") | left | 24735 |
| | | right | 24736 |

Set comprising

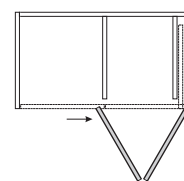
| | | 24735 | 24736 | code |
|---|---|-------|-------|-------|
|  | Scissor action, complete, galvanized steel, 900 mm (2'11 ⁷ / ₁₆ ") | 1 | 1 | 24087 |
|  | Two-wheeled trolley alu, with ball bearing wheels, height adjustable, dull nickel finish | 1 | 1 | 24686 |
|  | Single-wheeled trolley, with ball bearing wheels, for folding door, dull nickel finish | 1 | 1 | 24054 |
|  | Concealed press-fit cup, dull nickel finish | 1 | 1 | 23409 |
|  | Concealed hinge, spring-loaded, for wooden door, galvanized, 3 pieces | 1 | 1 | 22778 |
|  | Concealed centre hinge, dull nickel finish, 3 pieces | 1 | 1 | 24088 |
|  | Rear scissor bearing, galvanized steel, left | 1 | | 24117 |
|  | Rear scissor bearing, galvanized steel, right | | 1 | 24097 |
|  | Rear scissor guide, alu plain anodized | 1 | 1 | 24010 |
|  | Front scissor guide, alu plain anodized | 1 | 1 | 22317 |

HAWA-Folding Concepta 25

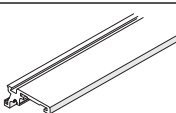
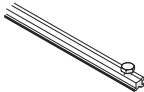
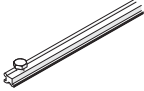
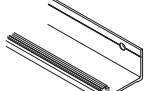
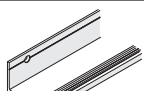
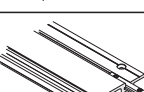

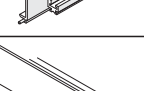

The HAWA-Folding Concepta 25 set for one bi-folding door pair includes not only all the hardware components but also the scissor and the top track. Left-hand and right-hand sets are available for door heights of 1250–1850 mm (4'1 ⁷/₃₂"–6'0 ²⁷/₃₂").



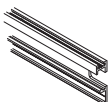
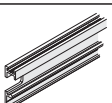
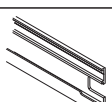
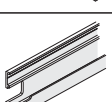
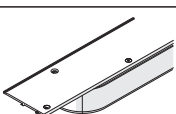
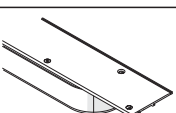
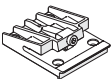
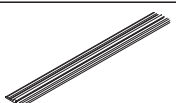
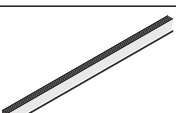
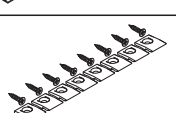
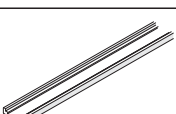
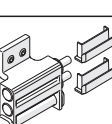
Left-hand installation

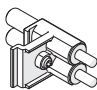
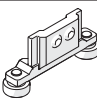
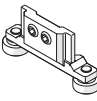
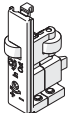
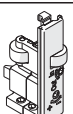
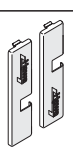

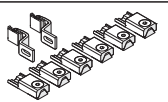


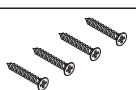
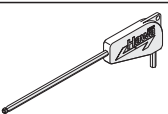


Right-hand installation

| | | 24735 | 24736 | code |
|---|--|-------|-------|-------|
|  | Upright, alu plain anodized, 1800 mm (5'10 ⁷ / ₈ ") | 1 | 1 | 22055 |
|  | Connector connecting profile, alu plain anodized, bottom left / top right, 500 mm (1'7 ¹¹ / ₁₆ ") | 1 | 1 | 24170 |
|  | Connector connecting profile, alu plain anodized, bottom right / top left, 500 mm (1'7 ¹¹ / ₁₆ ") | 1 | 1 | 24171 |
|  | Interior connector, alu plain anodized, bottom left, 645 mm (2'1 ¹³ / ₃₂ ") | 1 | | 24021 |
|  | Interior connector, alu plain anodized, bottom right, 645 mm (2'1 ¹³ / ₃₂ ") | | 1 | 24022 |
|  | Interior connector, alu plain anodized, top left, 645 mm (2'1 ¹³ / ₃₂ ") | 1 | | 24107 |
|  | Interior connector, alu plain anodized, top right, 645 mm (2'1 ¹³ / ₃₂ ") | | 1 | 24108 |
|  | Exterior connector, alu plain anodized, bottom left / top right, 645 mm (2'1 ¹³ / ₃₂ ") | 1 | 1 | 24027 |
|  | Exterior connector, alu plain anodized, bottom right / top left, 645 mm (2'1 ¹³ / ₃₂ ") | 1 | 1 | 24028 |

Subject to modification. Metric specifications are exact. Inches are approximate.


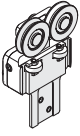
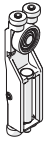

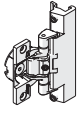
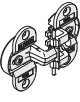
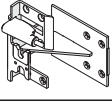
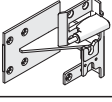


| | | 24735 | 24736 | code |
|---|---|-------|-------|-------|
|  | Top track left, alu plain anodized, 748 mm (2'5 $\frac{15}{32}$ ") | 1 | | 24744 |
|  | Top track right, alu plain anodized, 748 mm (2'5 $\frac{15}{32}$ ") | | 1 | 24745 |
|  | Bottom guide channel left, alu plain anodized, 748 mm (2'5 $\frac{15}{32}$ ") | 1 | | 24746 |
|  | Bottom guide channel right, alu plain anodized, 748 mm (2'5 $\frac{15}{32}$ ") | | 1 | 24747 |
|  | Top track with left-hand curve, alu plain anodized | 1 | | 24070 |
|  | Top track with right-hand curve, alu plain anodized | | 1 | 24071 |
|  | Adapter for top track, plastic, anthracite-grey, 4 pieces | 1 | 1 | 23645 |
|  | Plastic profile, black, 1850 mm (6'0 $\frac{27}{32}$ "), for guide brush | 1 | 1 | 21969 |
|  | Guide brush, black, 1850 mm (6'0 $\frac{27}{32}$ "), height 10 mm ($\frac{3}{8}$ ") | 1 | 1 | 22808 |
|  | Fixing brackets, plastic black, for guide brush, 8 pieces | 1 | 1 | 22289 |
|  | Covering screen for panel clearance, alu plain anodized, 1870 mm (6'1 $\frac{5}{8}$ ") | 1 | 1 | 23540 |
|  | Soft closing system for end position and cover caps for scissor guide | 1 | 1 | 22302 |

| | | 24735 | 24736 | code |
|--|--|-------|-------|-------|
|  | Pivot door damper, plastic, anthracite-grey | 1 | 1 | 24063 |
|  | Upright guide, bottom left, alu, with plastic rollers | 1 | | 24258 |
|  | Upright guide, bottom right, alu, with plastic rollers | | 1 | 24260 |
|  | Stop cover cap, depth adjustable, top left / bottom right | 1 | 1 | 24626 |
|  | Stop cover cap, depth adjustable, top right / bottom left | 1 | 1 | 24627 |
|  | Cover plates, stainless steel, 1 pair | 1 | 1 | 24739 |
|  | Stop bumper adjustable, plastic, anthracite-grey | 2 | 2 | 23562 |
|  | Fixing parts for covering screen for panel clearance, set of 3 pieces | 1 | 1 | 23990 |
|  | Screw set for fitting hardware to cabinet body, 4,5x20 mm ($\frac{3}{16}$ "x $\frac{25}{32}$ "), 40 pieces | 1 | 1 | 24032 |
|  | Set of screws for concealed hinges, 4x20 mm ($\frac{5}{32}$ "x $\frac{25}{32}$ "), 30 pieces | 1 | 1 | 24033 |
|  | Screw set for fitting hardware to cabinet body, 5x35 mm ($\frac{7}{32}$ "x1 $\frac{3}{8}$ "), 4 pieces | 1 | 1 | 24111 |
|  | Hex key, 3 mm ($\frac{1}{8}$ "), with handle | 1 | 1 | 13164 |

Sets, HAWA-Folding Concepta 25

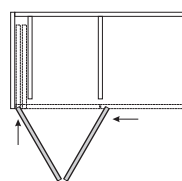
| | door height mm/inch | | code |
|--|--|-------|-------|
| HAWA-Folding Concepta 25, partial set for 1 pair of folding doors | 1851-2600 (6'0 ⁷ / ₈ "-8'6 ³ / ₈ ") | left | 24737 |
| | | right | 24738 |

Set comprising

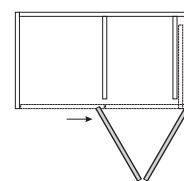
| | | 24737 | 24738 | code |
|---|---|-------|-------|-------|
|  | Scissor action, complete, galvanized steel, 1500 mm (4'11 ¹ / ₁₆ ") | 1 | 1 | 22594 |
|  | Two-wheeled trolley alu, with ball bearing wheels, height adjustable, dull nickel finish | 1 | 1 | 24686 |
|  | Single-wheeled trolley, with ball bearing wheels, for folding door, dull nickel finish | 1 | 1 | 24054 |
|  | Concealed press-fit cup, dull nickel finish | 1 | 1 | 23409 |
|  | Concealed hinge, spring-loaded, for wooden door, galvanized, 4 pieces | 1 | 1 | 24217 |
|  | Concealed centre hinge, dull nickel finish, 4 pieces | 1 | 1 | 24218 |
|  | Rear scissor bearing, galvanized steel, left | 1 | | 24117 |
|  | Rear scissor bearing, galvanized steel, right | | 1 | 24097 |
|  | Rear scissor guide, alu plain anodized | 1 | 1 | 24010 |
|  | Front scissor guide, alu plain anodized | 1 | 1 | 22317 |

HAWA-Folding Concepta 25

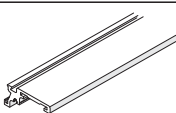
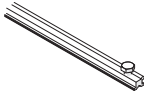
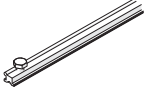
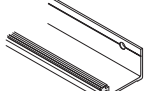
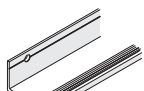
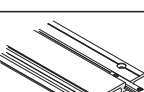
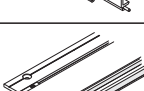
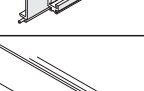

The HAWA-Folding Concepta 25 set for one bi-folding door pair includes not only all the hardware components but also the scissor and the top track. Left-hand and right-hand sets are available for door heights of 1851-2600 mm (6'0 ⁷/₈"-8'6 ³/₈").



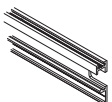

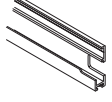
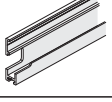
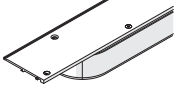
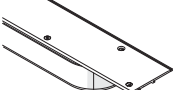
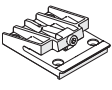

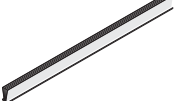
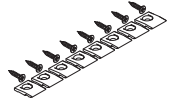
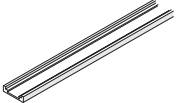
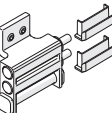
Left-hand installation

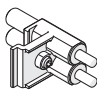
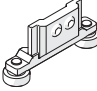
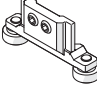
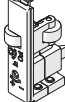

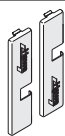

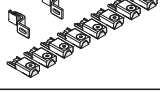


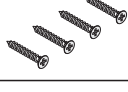
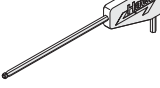


Right-hand installation

| | | 24737 | 24738 | code |
|---|---|-------|-------|-------|
|  | Upright, alu plain anodized, 2500 mm (8'2 ⁷ / ₁₆ ") | 1 | 1 | 22056 |
|  | Connector connecting profile, alu plain anodized, bottom left / top right, 500 mm (1'7 ¹¹ / ₁₆ ") | 1 | 1 | 24170 |
|  | Connector connecting profile, alu plain anodized, bottom right / top left, 500 mm (1'7 ¹¹ / ₁₆ ") | 1 | 1 | 24171 |
|  | Interior connector, alu plain anodized, bottom left, 645 mm (2'1 ¹³ / ₃₂ ") | 1 | | 24021 |
|  | Interior connector, alu plain anodized, bottom right, 645 mm (2'1 ¹³ / ₃₂ ") | | 1 | 24022 |
|  | Interior connector, alu plain anodized, top left, 645 mm (2'1 ¹³ / ₃₂ ") | 1 | | 24107 |
|  | Interior connector, alu plain anodized, top right, 645 mm (2'1 ¹³ / ₃₂ ") | | 1 | 24108 |
|  | Exterior connector, alu plain anodized, bottom left / top right, 645 mm (2'1 ¹³ / ₃₂ ") | 1 | 1 | 24027 |
|  | Exterior connector, alu plain anodized, bottom right / top left, 645 mm (2'1 ¹³ / ₃₂ ") | 1 | 1 | 24028 |

Subject to modification. Metric specifications are exact. Inches are approximate.

| | | 24737 | 24738 | code |
|---|---|-------|-------|-------|
|  | Top track left, alu plain anodized, 748 mm (2'5 $\frac{15}{32}$ ") | 1 | | 24744 |
|  | Top track right, alu plain anodized, 748 mm (2'5 $\frac{15}{32}$ ") | | 1 | 24745 |
|  | Bottom guide channel left, alu plain anodized, 748 mm (2'5 $\frac{15}{32}$ ") | 1 | | 24746 |
|  | Bottom guide channel right, alu plain anodized, 748 mm (2'5 $\frac{15}{32}$ ") | | 1 | 24747 |
|  | Top track with left-hand curve, alu plain anodized | 1 | | 24070 |
|  | Top track with right-hand curve, alu plain anodized | | 1 | 24071 |
|  | Adapter for top track, plastic, anthracite-grey, 4 pieces | 1 | 1 | 23645 |
|  | Plastic profile, black, 2620 mm (8'7 $\frac{5}{32}$ "), for guide brush | 1 | 1 | 24105 |
|  | Guide brush, black, 2620 mm (8'7 $\frac{5}{32}$ "), height 10 mm ($\frac{3}{8}$ ") | 1 | 1 | 24106 |
|  | Fixing brackets, plastic black, for guide brush, 8 pieces | 1 | 1 | 22289 |
|  | Covering screen for panel clearance, alu plain anodized, 2620 mm (8'7 $\frac{5}{32}$ "), | 1 | 1 | 23541 |
|  | Soft closing system for end position and cover caps for scissor guide | 1 | 1 | 22302 |

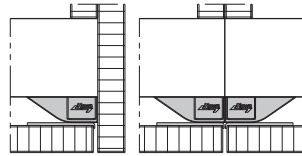
| | | 24737 | 24738 | code |
|---|--|-------|-------|-------|
|  | Pivot door damper, plastic, anthracite-grey | 1 | 1 | 24063 |
|  | Upright guide, bottom left, alu, with plastic rollers | 1 | | 24258 |
|  | Upright guide, bottom right, alu, with plastic rollers | | 1 | 24260 |
|  | Stop cover cap, depth adjustable, top left / bottom right | 1 | 1 | 24626 |
|  | Stop cover cap, depth adjustable, top right / bottom left | 1 | 1 | 24627 |
|  | Cover plates, stainless steel, 1 pair | 1 | 1 | 24739 |
|  | Stop bumper adjustable, plastic, anthracite-grey | 1 | 1 | 23562 |
|  | Fixing parts for covering screen for panel clearance, set of 4 pieces | 1 | 1 | 24306 |
|  | Screw set for fitting hardware to cabinet body, 4,5x20 mm ($\frac{3}{16}$ "x $\frac{25}{32}$ "), 40 pieces | 1 | 1 | 24032 |
|  | Set of screws for concealed hinges, 4x20 mm ($\frac{5}{32}$ "x $\frac{25}{32}$ "), 30 pieces | 1 | 1 | 24033 |
|  | Screw set for fitting hardware to cabinet body, 5x35 mm ($\frac{7}{32}$ "x1 $\frac{3}{8}$ "), 4 pieces | 1 | 1 | 24111 |
|  | Hex key, 3 mm ($\frac{1}{8}$ "), with handle | 1 | 1 | 13164 |

Door positioning / Door centering

| | | code |
|--|--|-------|
| | Base profile complete 1300 mm (4'3 $\frac{3}{16}$ "), alu plain anodized, including cover cap, leading ramp and drilling jig | 24004 |
| | Magnetic centering part, alu plain anodized, including drilling jig | 24006 |

Door positioning / door centering

The base profile no. 24004 is the ideal complement to the HAWA-Folding Concepta 25. The leading ramp included in the set brings the overlaying cabinet front flush into position. Doors on recess designs or walk-in cabinets without a cabinet base are centered by magnetic centering parts no. 24006.



Flush door positioning with base profile and leading ramp



Flush door positioning with magnetic centering parts

Reinforcement profile/Connection plate

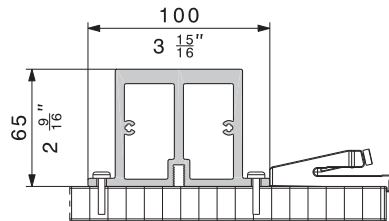
| | | mm/inch | code |
|--|--|-----------|-------|
| | Reinforcement profile incl. top track connection plate, alu plain anodized, predrilled | 2600 | 24322 |
| | Reinforcement profile, alu plain anodized, predrilled | nach Mass | 24281 |
| | Top track connection plate, alu plain anodized, predrilled | | 24321 |

Reinforcement profile/Connection plate

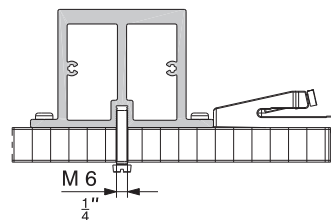
Double systems of up to 2800 mm (9'2 $\frac{1}{4}$ ") without a centre section are feasible thanks to the optionally available profile for reinforcing the cabinet top ceiling.

→ Max. deflection of the cabinet ceiling: ≤ 2 mm ($\frac{3}{32}$ ")

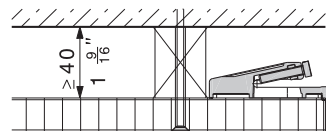
Additionally, the connection plate stabilises the top track butt joint between the left and right sections and keeps it flush.



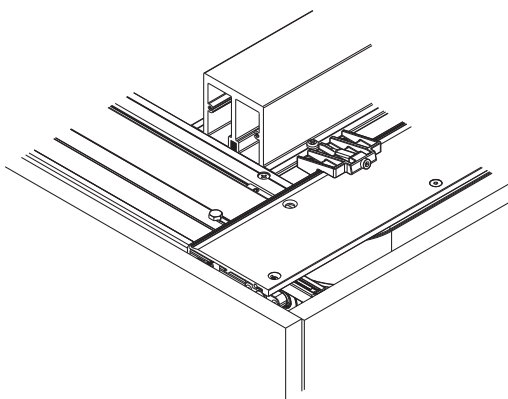
Profile, pre assembled



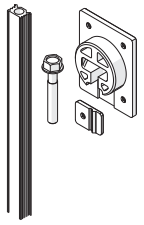
Profile can be fitted retro-spectively from below



Custom solution

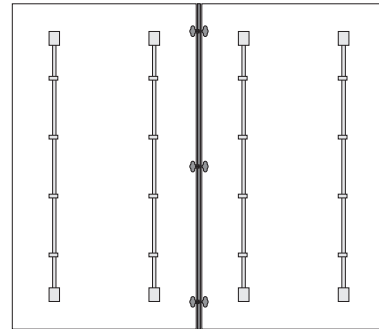


Aligner – Set for 1 wooden door

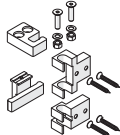
| | | |
|---|---|-----------------------|
|  | <p>Aligner for stabilisation of wooden sliding door set of 2 pieces</p> | <p>code 18705</p> |
| <ul style="list-style-type: none"> • for door thicknesses of 16–28 mm ($\frac{5}{8}$–$1\frac{1}{8}$") • for door heights up to 2600 mm ($8'6\frac{3}{8}$") (not suitable for solid hardwood) | | |

Aligner

The alignment hardware makes it easy to stabilise and adjust the folding/slide-in doors. At least two hardware sets are recommended for each door and can be shortened as required.

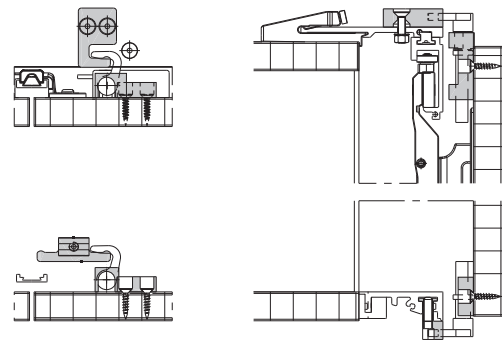


Lock catch for espagnolette lock TERZA

| | | |
|---|---|-----------------------|
|  | <p>Lock catch and bracket for espagnolette lock TERZA, 2 pieces for 1 pair of folding doors</p> | <p>code 24005</p> |
| <ul style="list-style-type: none"> • For cabinet designs without a ceiling connection • Lock catch for espagnolette lock TERZA 3017 to be ordered by the building owner. (www.heusser-schloss.ch) | | |

Lock catch for espagnolette lock

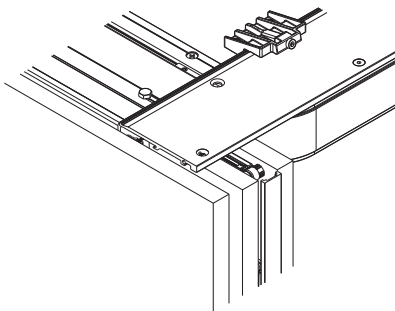
The lock catch from Hawa and the commercially available espagnolette lock TERZA 3017 from Heusser make cabinet fronts lockable.



Assembly simplification features

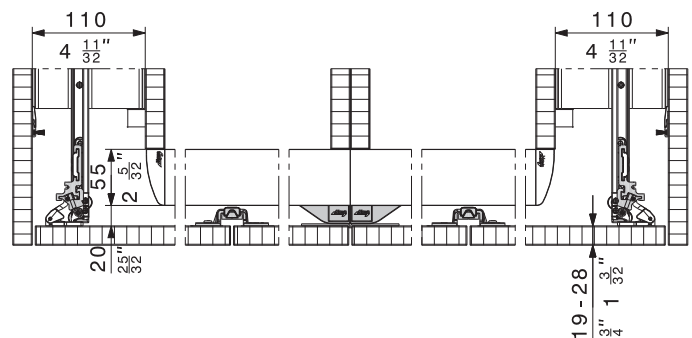
The corpus and side connection profiles included in the HAWA-Folding Concepta 25 set make it easier to design cabinet bodies with overlaying cabinet fronts.

The top track and base profile also make for easier installation as they are fitted to the cabinet corpus from the front. They can also be fitted retrospectively across a number of previously installed cabinet corpus.



Recess width 110 mm

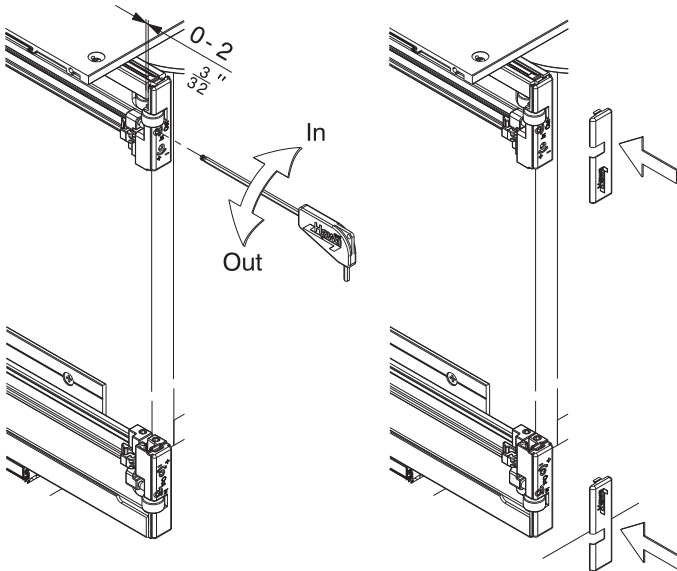
The recess width of 110 mm ($4\frac{11}{32}$ ") enables a minimum loss of effective width and corresponds to the grid pattern of the HAWA-Concepta 25/30/40/50. This reduces complexity and simplifies planning.



Stop cover caps and depth adjustment

The stop cover caps are screwed onto the face side of the top tracks and floor guides and fulfill the following functions:

- The integrated guide rollers make it easy to pivot the door and slide it in, positioning it in the closed position
- The closed front can be aligned by 0–2 mm ($0''\text{--}\frac{3}{32}''$) in the depth of the cabinet
- The hardware set includes a pair of stainless steel cover caps for extra visual appeal. They simply clip on to the stop cover caps

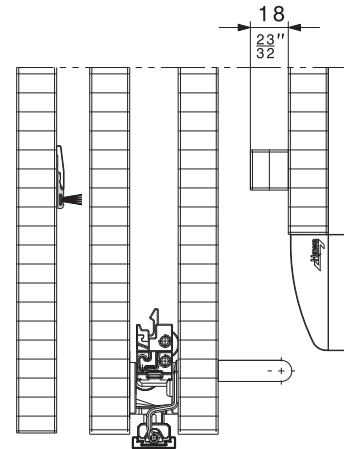


Front depth fine adjustment

Adjustment screw cover

Door handle / door position

Commercially available bow handles enable convenient, one handed operation of folding/slide-in doors. The folding door pair can be pushed in fully flush with the external side.



The alu profile between the bi-folded door pair discreetly conceals the strap hinges

Installation tip

The cabinet must be levelled and anchored to the building to achieve the best possible functionality and operating convenience.

Order specifications

- Type and quantity of sets
- Quantity of bottom profile for door positioning or
- Quantity of magnetic centering part for door centering

Optional order specifications

- Quantity of reinforcement profile
- Quantity of lock catch for espagnolette lock TERZA 3017
- Quantity of aligner

Planning/installation

For planning and installation purposes, please use the installations drawing code 24730 and 24320.

(→ www.hawa.ch → HAWA-Productfinder)

