

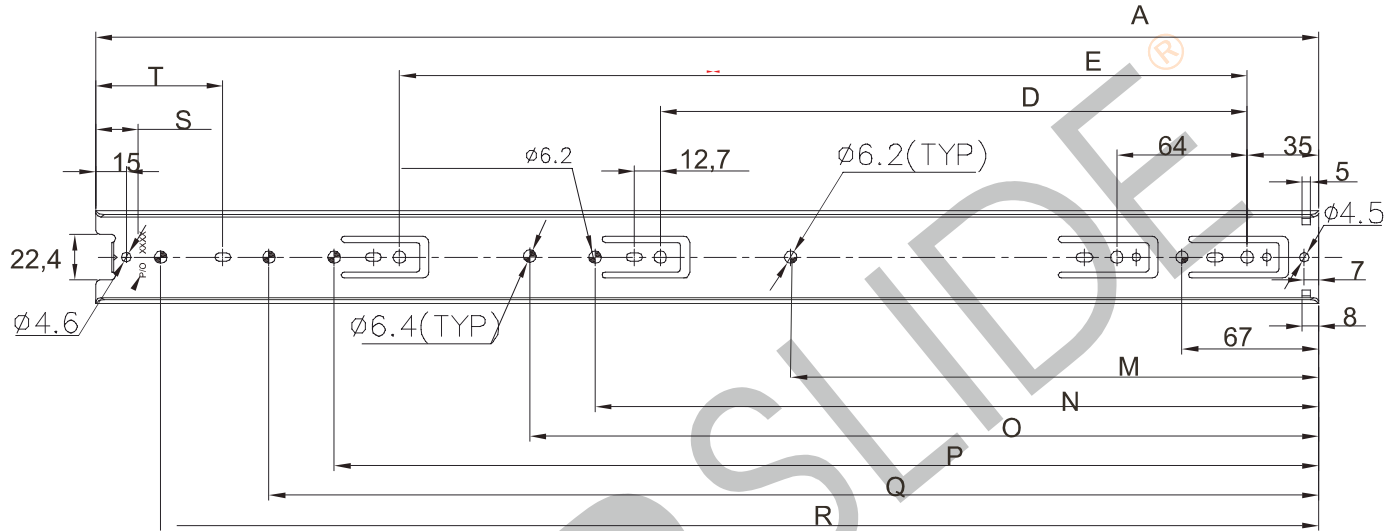
	A	L	Kg
28"	700	700	40
26"	650	650	40
24"	600	600	40
22"	550	550	45
20"	500	500	45
18"	450	450	45
16"	400	400	45
14"	350	350	35
12"	300	300	30

Model: 757.A
Full Extension Slide

Ver.3. 30-01-2020

© TOPSLIDE International

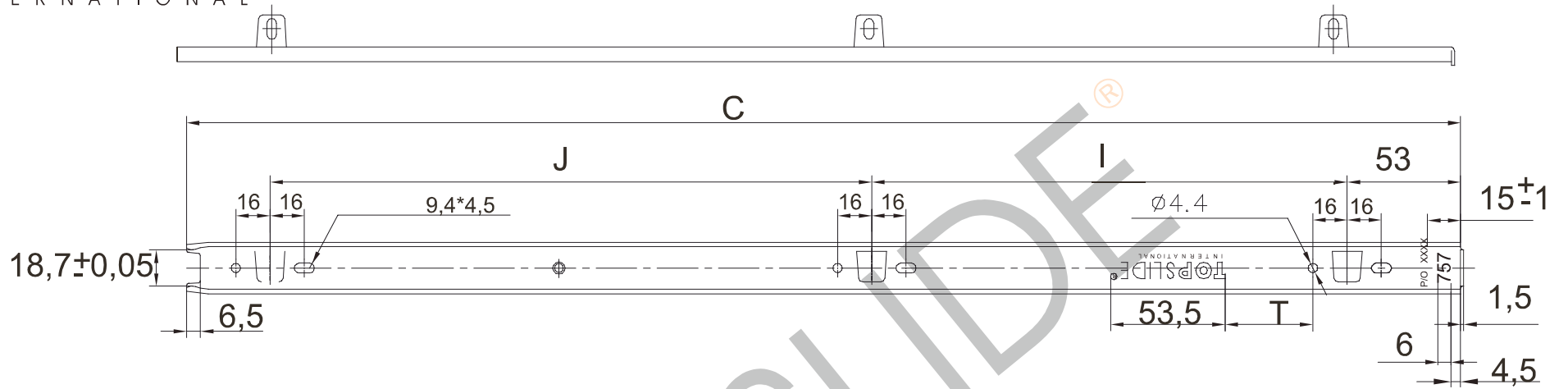
TOPSLIDE reserve the right to amend specifications without notice.



28"	700	352	576	259						515	30	
26"	650	352	544	259						515	30	
24"	600	320	480	259		387					30	
22"	550	288	416	259		387	483	515			20	
20"	500	288	416	259		387					72	84
18"	450	288	352	259							20	
16"	400	288		259	355						20	
14"	350	256		259							20	
12"	300	208			259						20	
	A	D	E	M	N	O	P	Q	R	S	T	

Model: 757.A
Full Extension Slide
Ver.3. 30-01-2020

© TOPSLIDE International
TOPSLIDE reserve the right to amend specifications without notice.



28"	695	272	331	41
26"	645	247	306	41
24"	595	222	281	41
22"	545	212	242	41
20"	495	182	221	41
18"	445	157	196	41
16"	395	132	171	41
14"	345	112	142	10
12"	295	203		10
	C	I	J	T

Model: 757.A
Full Extension Slide
Ver.3. 30-01-2020