

New



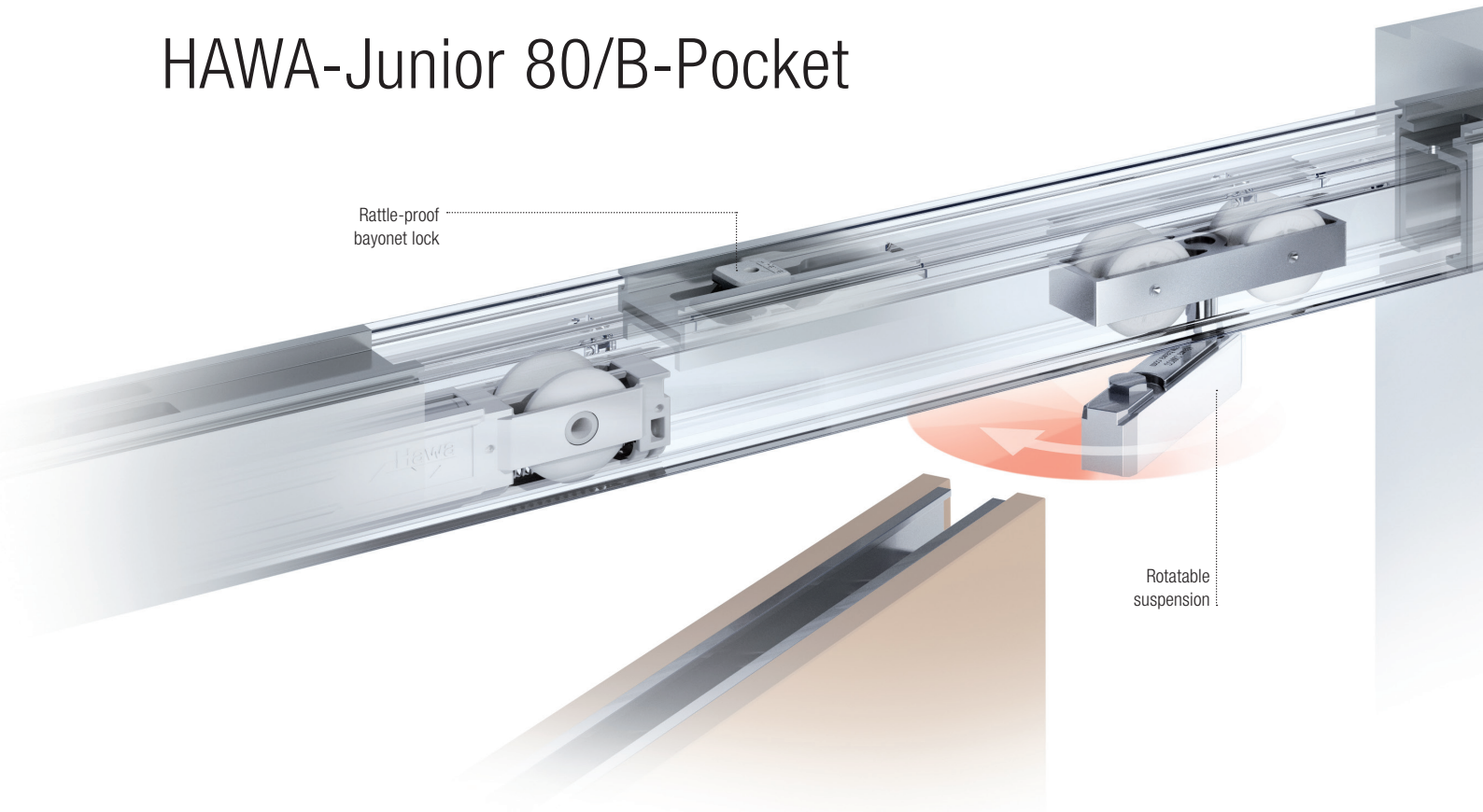
For pocket door applications with minimum installation height

# HAWA-Junior 80/B-Pocket



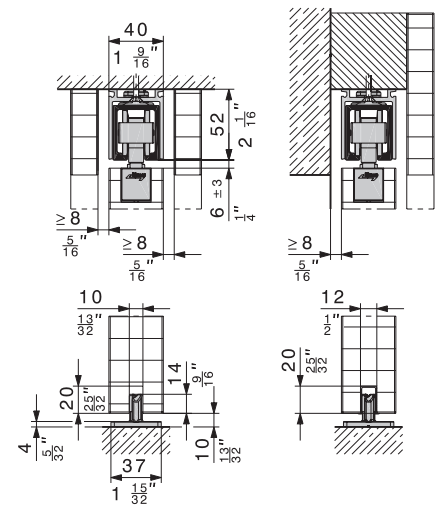
The new hardware for pocket door applications:  
 Assembly is as easy as disassembly and upgrading

# HAWA-Junior 80/B-Pocket



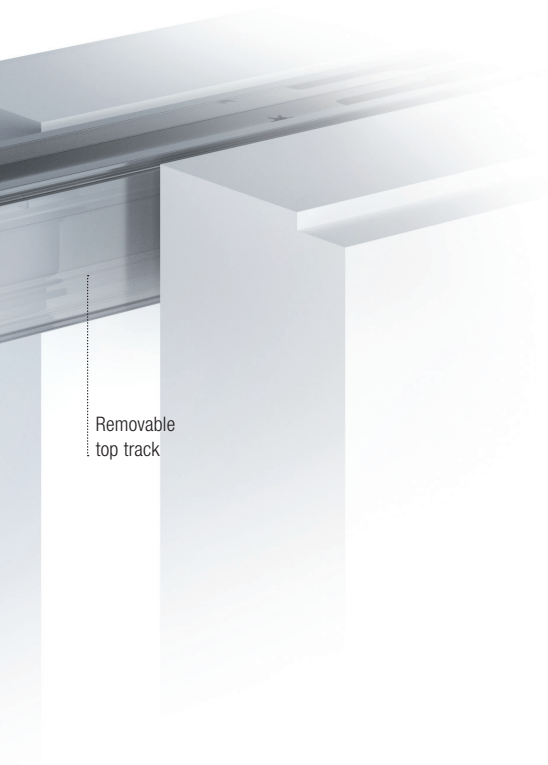
## About the product

The innovative hardware system HAWA-Junior 80/B-Pocket removes all the obstacles that permanently installed pockets put in the way of wood sliding doors weighing up to 80 kg (176 lbs). The top track can be installed and removed via rattle-proof bayonet locks at any time thanks to a pre-mounted retainer profile. All components remain freely accessible and are easily replaced or extended. Moreover, the track's running surface remains clean during the construction phase. And sliding the door into the pocket is especially easy as the suspension unit on the pocket side is located directly on the edge of the door. Another benefit is that none of the sophisticated technology represents a compromise on aesthetic appeal. All of the hardware components remain concealed thanks to an integrated door ejector and a sophisticated clip-on fascia.

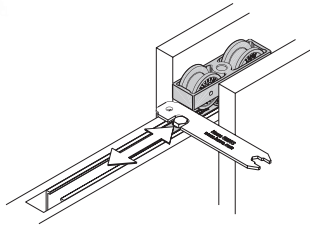


Ceiling mounting

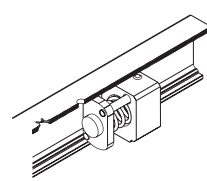
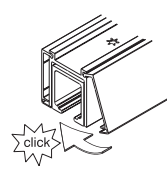
Mounting in front of the wall



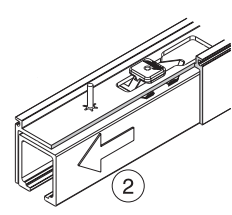
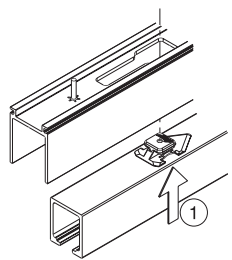
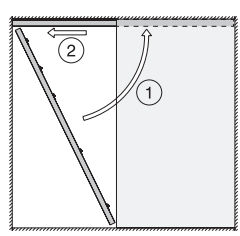
Removable top track



**Convenient adjustment**  
The end position can be adjusted via the suspension in the pocket when the door is open.



**Aesthetic appeal**  
The clip-on fascia enables the concealed attachment of the lintel panelling up to a material thickness of 40 mm (1 16/32"). The integrated door ejector avoids visible hardware components (trip handle, finger sleeve) on the door edge.



**Flexibility and planning certainty**  
The components in the top track can be replaced or added to as required at any time, even in inaccessible pocket door structures.

Technical specifications	
Max. door weight	80 kg (176 lbs.)
Door width	700–1500 mm (2'3 9/16"– 4'11 1/16")
Door thickness	40–50 mm (1 19/32"– 1 31/32")
Adjustable height	± 3 mm (1/8")
Horizontal adjustment in the bayonet	± 8 mm (5/16")

**At a glance**

- Assembly and disassembly of the top track possible at any time for upgrading or replacing components.
- New suspension design for easier door insertion with no loss of space in shallow pockets.
- The separating layer between top track and retainer profile reduces vibration transmission and structure-borne noise.
- No contamination of the top track during the construction phase thanks to a high degree of pre-assembly.
- Combinable with a SoftMove 80 soft closing mechanism for HAWA-Junior 80.



Experience HAWA-Junior 80/B-Pocket live. Animation film and additional info at [www.hawa.ch](http://www.hawa.ch) > HAWA-Productfinder



A clean solution from both sides

Available from selected trade partners

**Further information:**

Hawa AG  
8932 Mettmenstetten  
Switzerland  
Tel. +41 44 767 91 91  
Fax +41 44 767 91 78  
[www.hawa.ch](http://www.hawa.ch)

