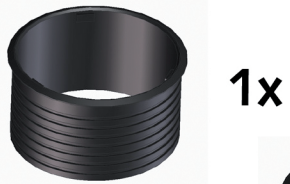


CONTENT :



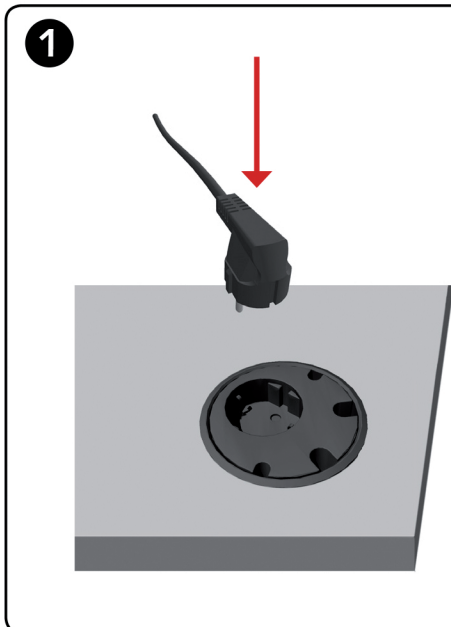
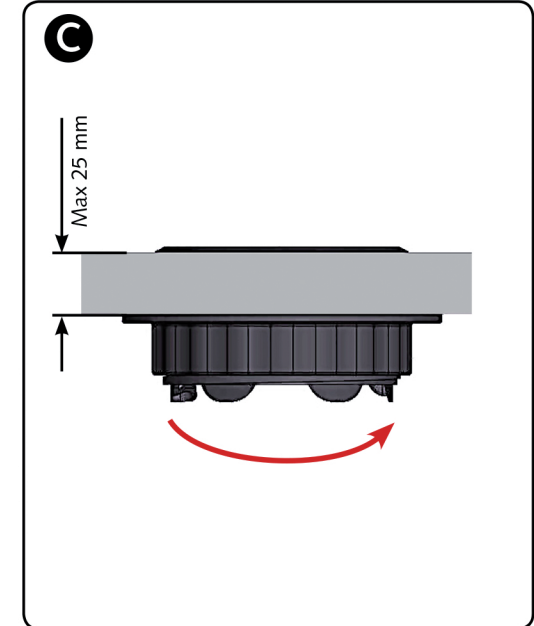
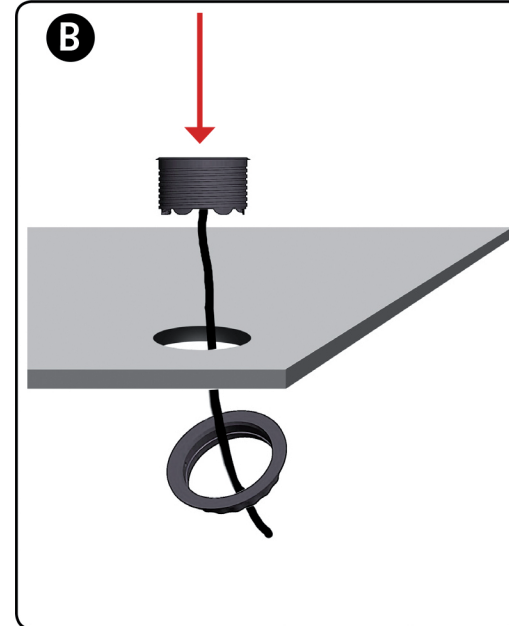
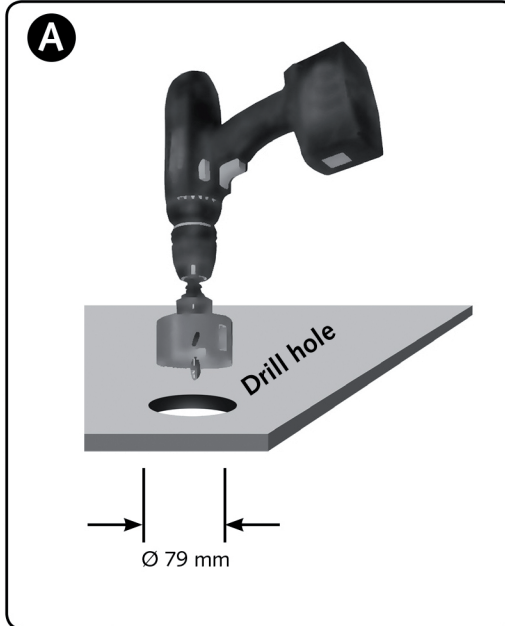
1x



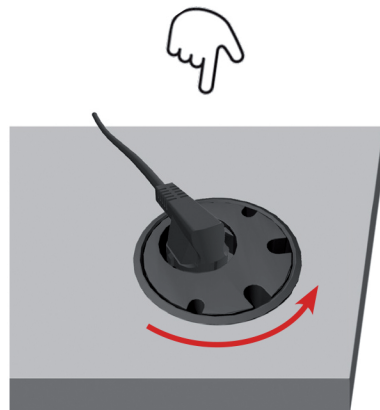
1x



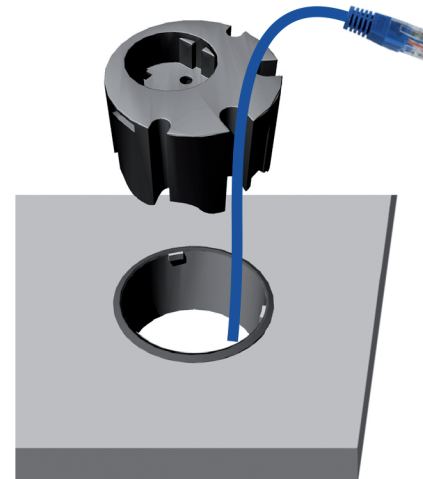
1x



2 RELEASE
Rotate counter clockwise



3 ORGANIZE
Cables according to size



4 LOCK
Rotate clockwise

