

KIMANA





**KIMANA** is the new hinge conceived by Italiana Ferramenta to open and close flap and drop-down doors. Provided with a unique and exclusive movement, it allows to open cabinet doors in column, even when the cabinet bottom lies upon another panel or the cabinet top is surmounted by a decorative/lighting panel.

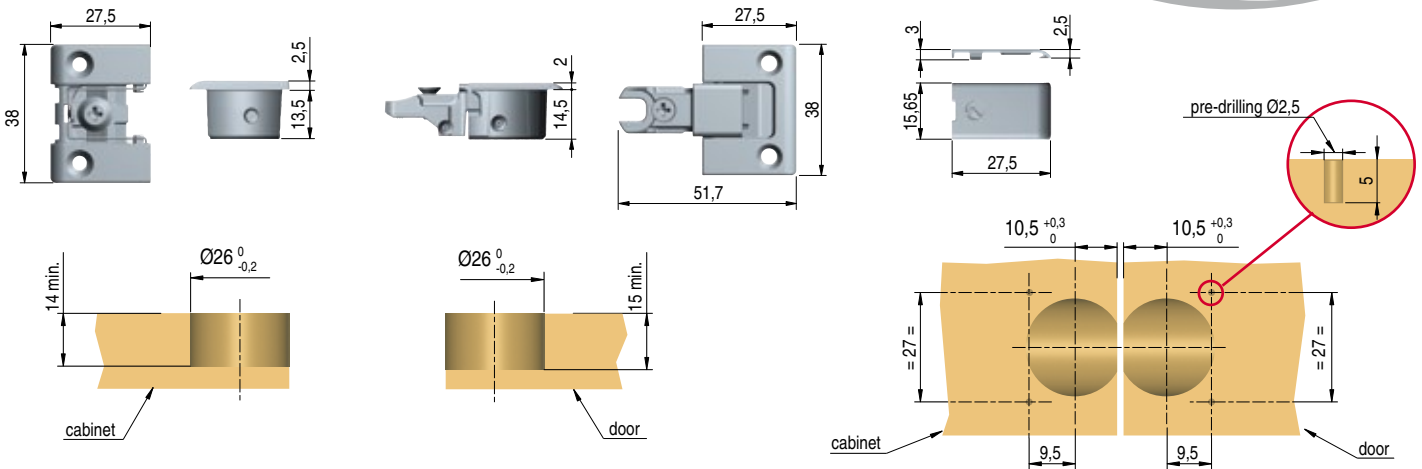
The small dimensions ( $\varnothing$  26mm boring for both the door and the bottom), the minimalistic and elegant design contribute to make **KIMANA** not only a functional hinge, but also a product unique in its genre. The fixing screws are perpendicular, thus making **KIMANA** suitable for perfect positioning, as well as for aluminium profiles. **KIMANA** can be easily adjusted through the screws (PZ2) which are hidden underneath the cover.

Various door and cabinet thickness-combinations can be solutioned either by carrying out the adjustments of the Kimana or by plaing adapters under the hinge clip so that the ideal movement and alignment of the door are guaranteed.

**PAT. PENDING**  
**REGISTERED DESIGN**



**DRILLING PLAN**

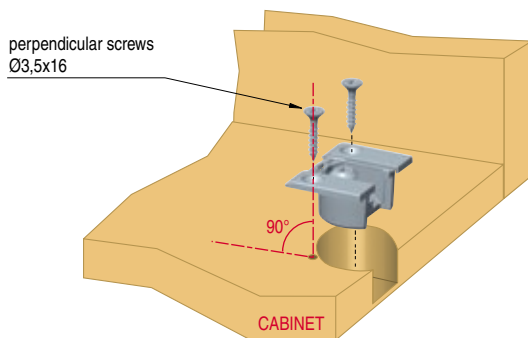


Part. no	Description	Finish
40115000YA	Plate for Kimana	Nickel-plated
60101390YA	screw $\varnothing$ 3,5x16	Nickel-plated

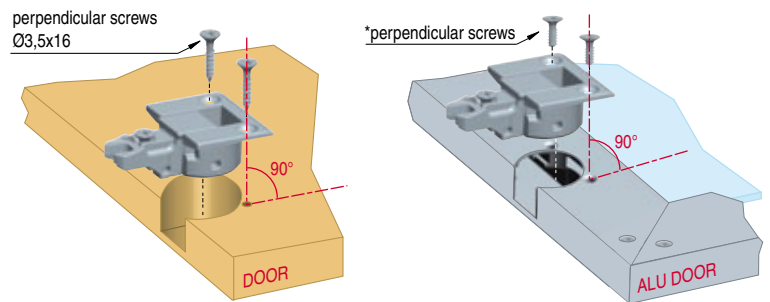
Part. no	Description	Finish
40115010YA	Kimana hinge	Nickel-plated
60101390YA	screw $\varnothing$ 3,5x16	Nickel-plated

Part. no	Description	Finish
40115040YA	Cover cap	Nickel-plated

**INSTALLATION ON THE CABINET (MINIMUM THICKNESS 18 MM)**



**INSTALLATION ON DOOR (MINIMUM THICKNESS 18 MM)**

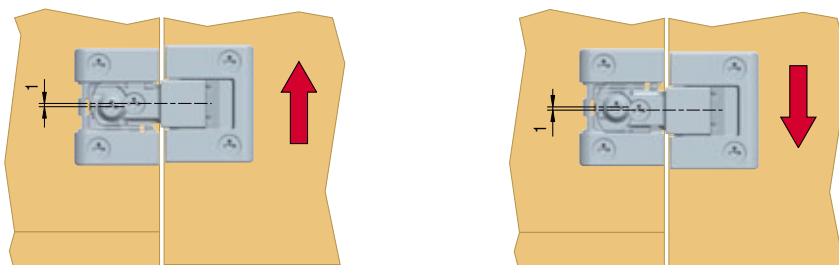


\*to be selected according to alu profile section.

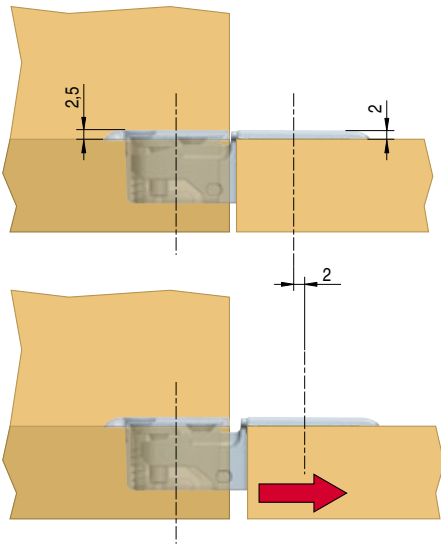
**DOOR INSTALLATION**



**LATERAL ADJUSTMENT  $0 \pm 1$ mm**

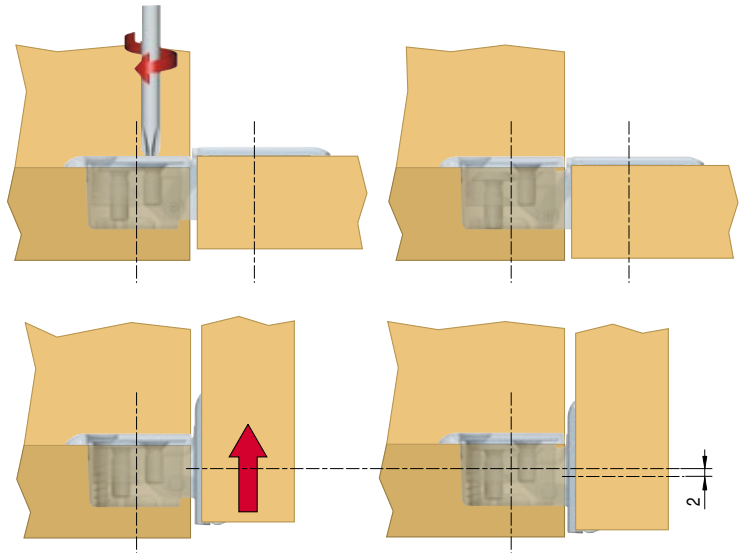


## IN-DEPTH ADJUSTMENT 0+2mm

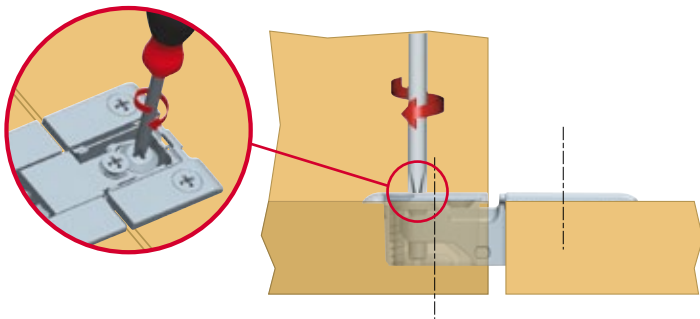


## LOCKING

## VERTICAL ADJUSTMENT 0+2mm

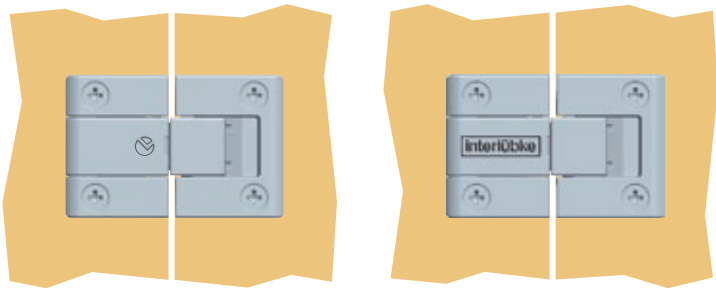


## COVER CAP INSERTING

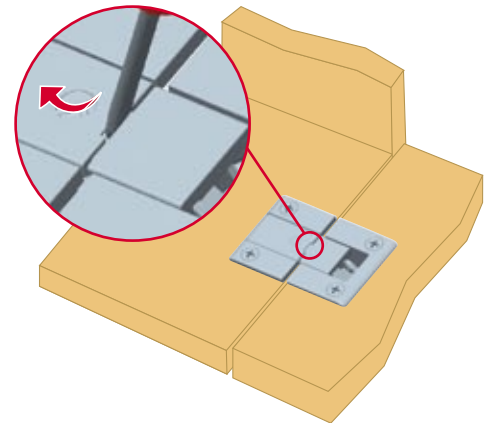


## CUSTOMIZED KIMANA COVER CAP

It is possible, upon request, to customize Kimana cover cap with **your company logo** (min. qty 5000 pcs).

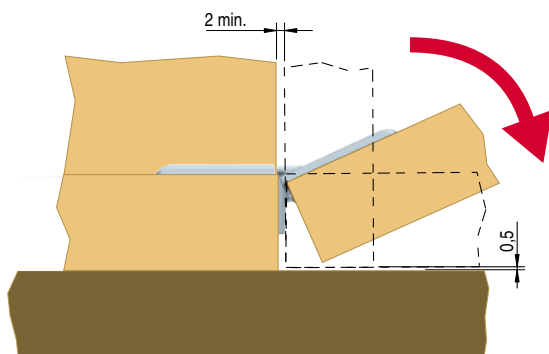


## COVER CAP UNINSERTING



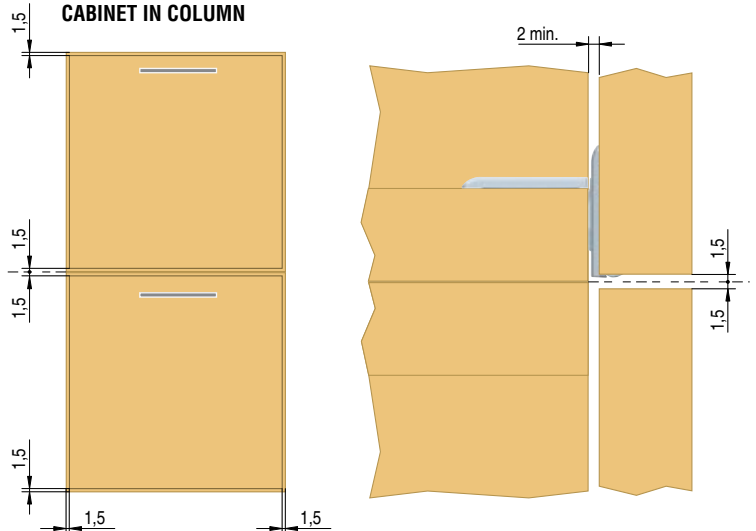
## CASES WHERE TO USE KIMANA

### CABINET PLACED ON A PLATFORM

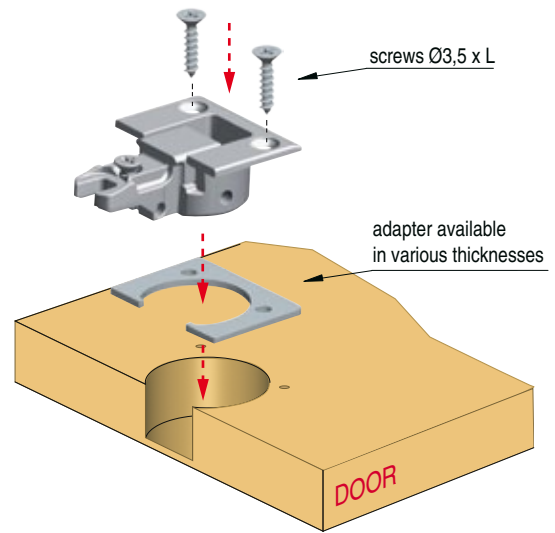
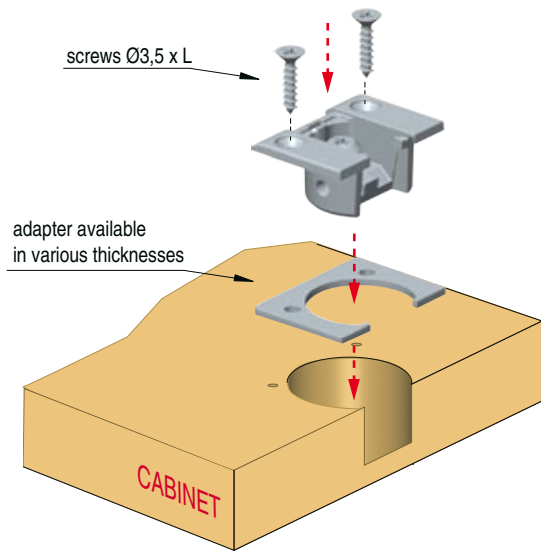


A 0.5 mm gap between the door and the platform laying underneath doesn't interfere with the opening.

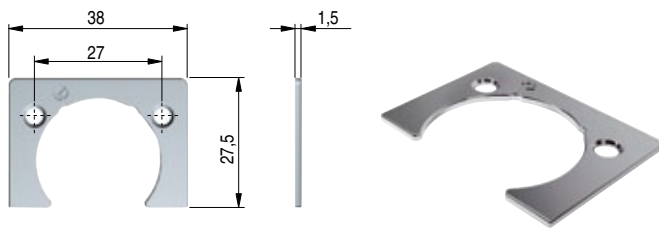
### CABINET IN COLUMN



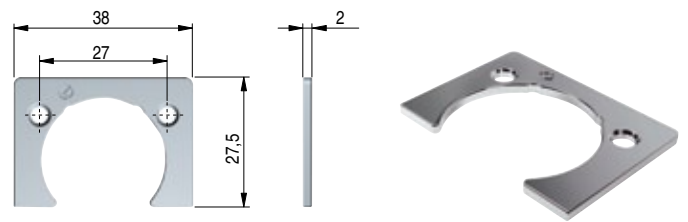
## INSTALLMENT WITH ADAPTER



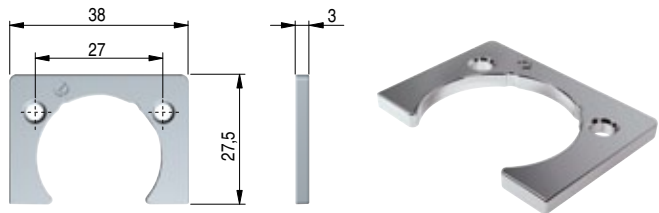
## ADAPTERS



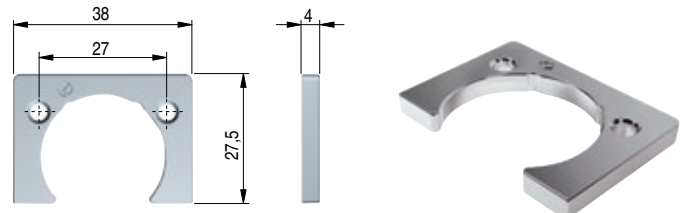
Part. no	Description	Finish
40115320YA	adapter 1,5 mm thick	Nickel-plated
60101390YA	Ø3,5 x L = 16 mm wood screw	Nickel-plated



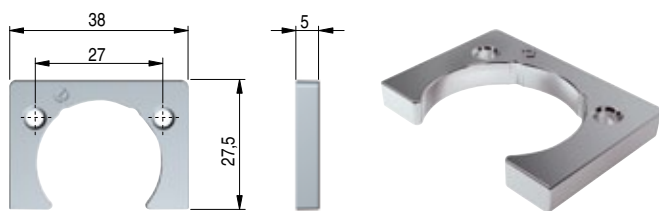
Part. no	Description	Finish
40115340YA	adapter 2 mm thick	Nickel-plated
60101390YA	Ø3,5 x L = 16 mm wood screw	Nickel-plated



Part. no	Description	Finish
40115360YA	adapter 3 mm thick	Nickel-plated
60101400YA	Ø3,5 x L = 18 mm wood screw	Nickel-plated

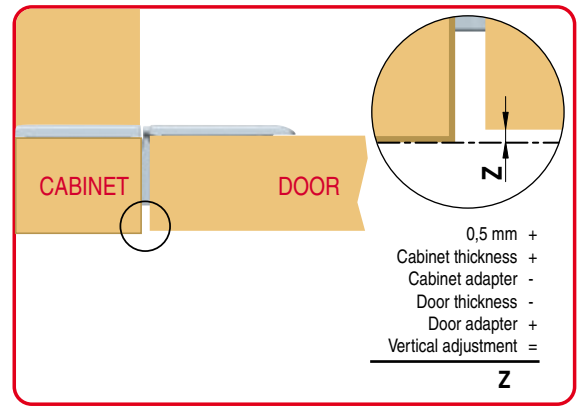
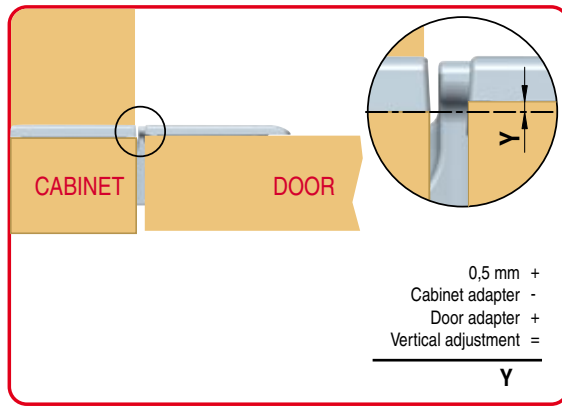
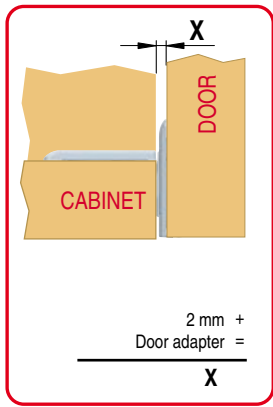


Part. no	Description	Finish
40115400YA	adapter 4 mm thick	Nickel-plated
60101400YA	Ø3,5 x L = 18 mm wood screw	Nickel-plated



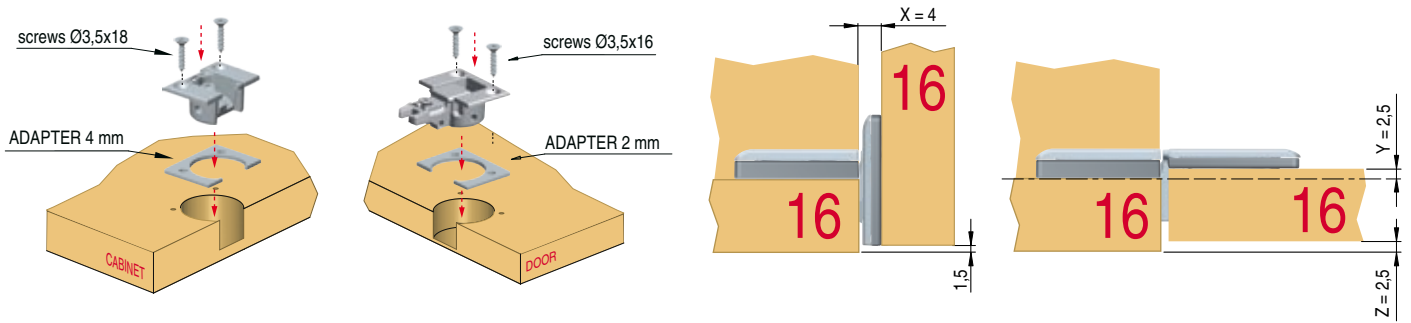
Part. no	Description	Finish
40115440YA	adapter 5 mm thick	Nickel-plated
60101410YA	Ø3,5 x L = 20 mm wood screw	Nickel-plated

## CABINET 16mm THICK WITH DIFFERENT DOOR THICKNESSES



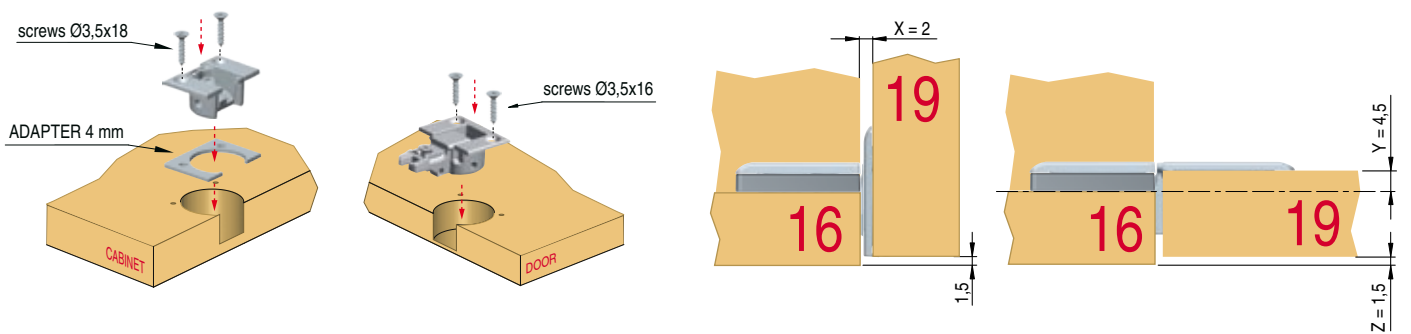
### CABINET 16mm WITH ADAPTER 4mm THICK - DOOR 16mm WITH ADAPTER 2mm THICK

#### 0 + 2mm FURTHER VERTICAL ADJUSTMENT



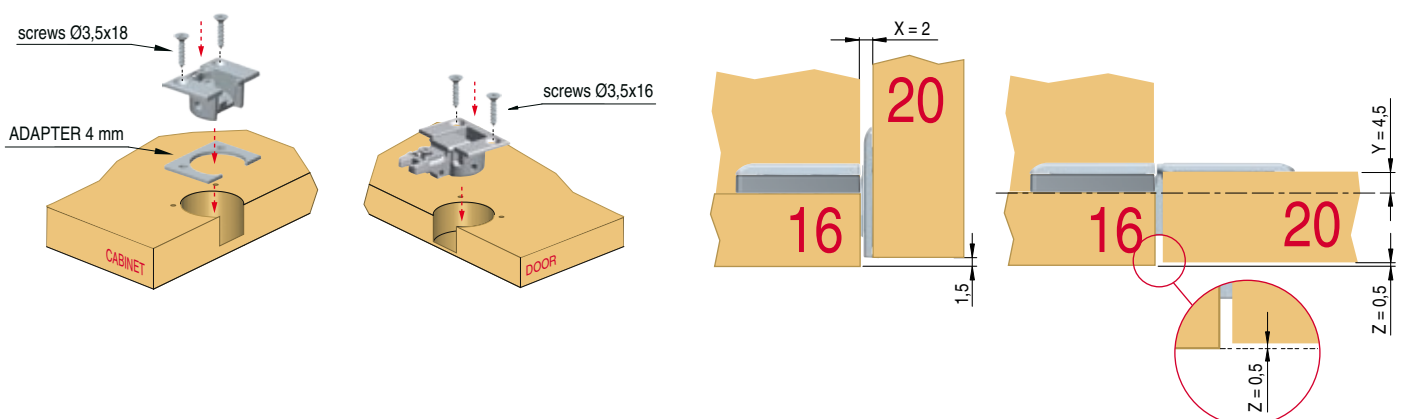
### CABINET 16mm WITH ADAPTER 4mm THICK - DOOR 19mm WITHOUT ADAPTER

#### 0 + 2mm FURTHER VERTICAL ADJUSTMENT

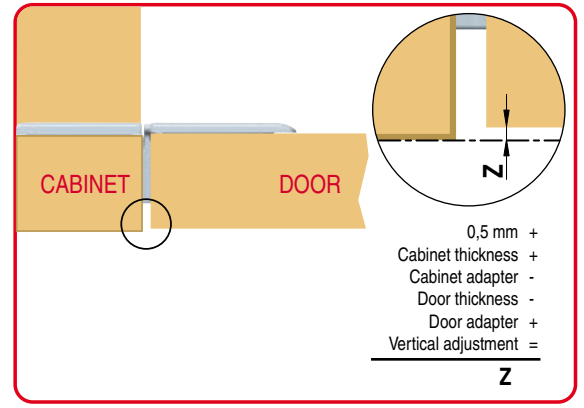
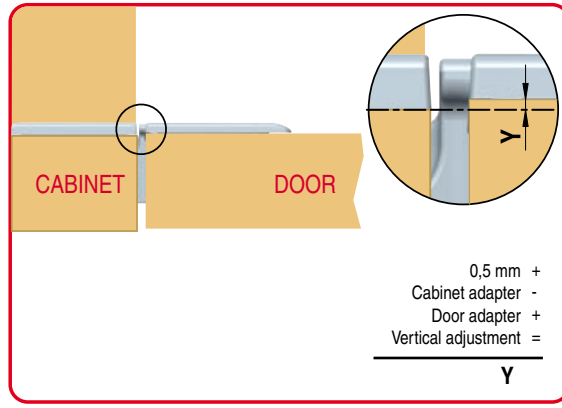
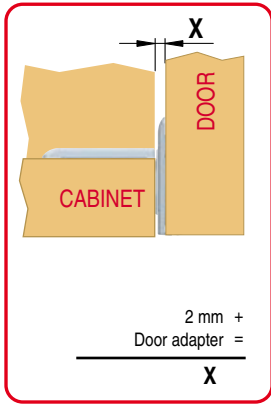


### CABINET 16mm WITH ADAPTER 4mm THICK - DOOR 20mm WITHOUT ADAPTER

#### 0 + 2mm FURTHER VERTICAL ADJUSTMENT

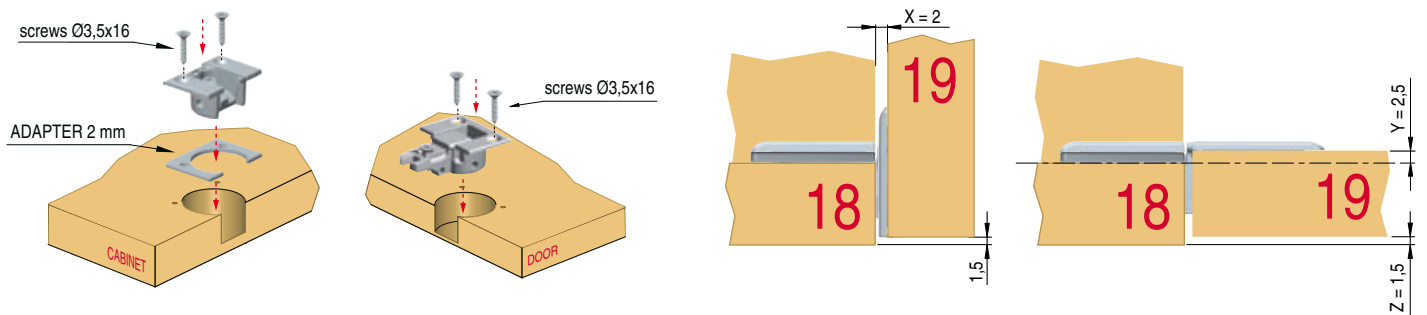


## CABINET 18mm THICK WITH DIFFERENT DOOR THICKNESSES



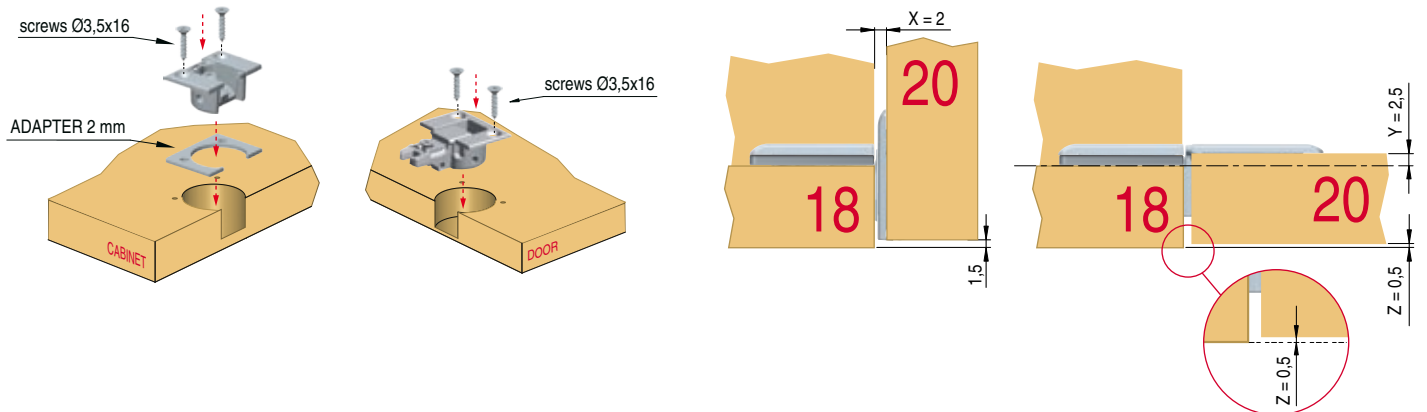
### CABINET 18mm WITH ADAPTER 2mm THICK - DOOR 19mm WITHOUT ADAPTER

#### 0 + 2mm FURTHER VERTICAL ADJUSTMENT

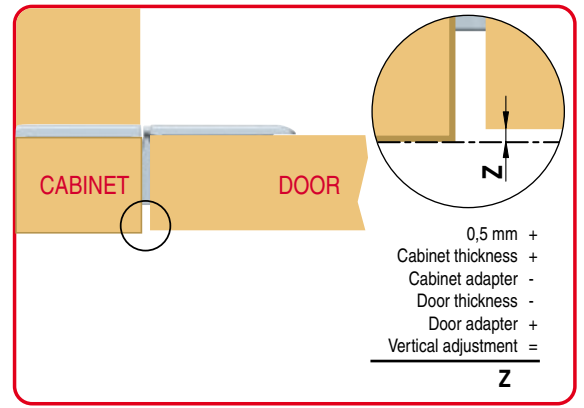
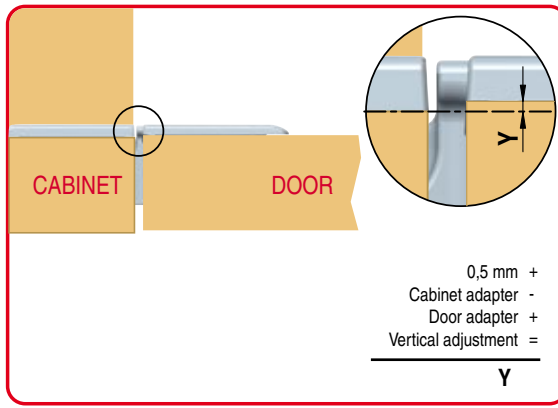
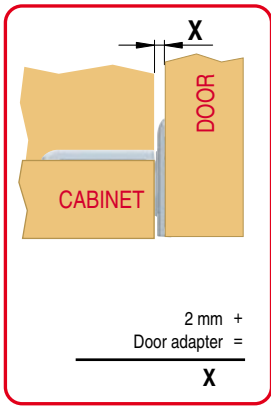


### CABINET 18mm WITH ADAPTER 2mm THICK - DOOR 20mm WITHOUT ADAPTER

#### 0 + 2mm FURTHER VERTICAL ADJUSTMENT

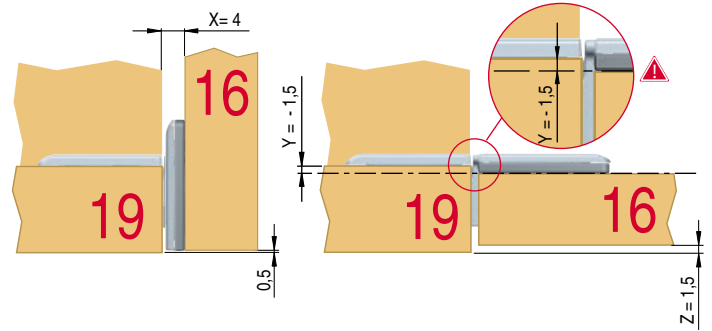
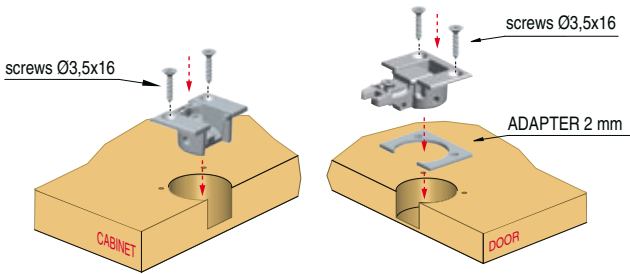


## CABINET 19mm THICK WITH DIFFERENT DOOR THICKNESSES

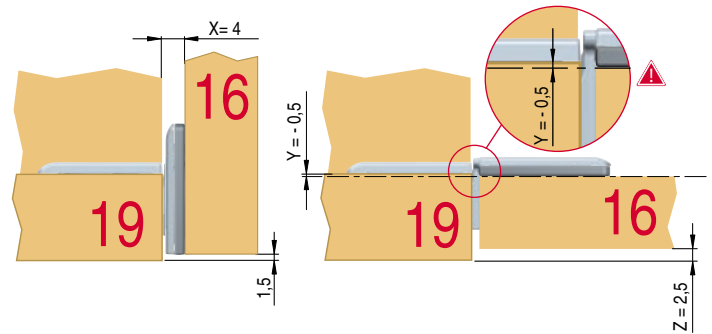


## CABINET 19mm WITHOUT ADAPTER - DOOR 16mm WITH ADAPTER 2mm THICK

### 0 + 2mm FURTHER VERTICAL ADJUSTMENT

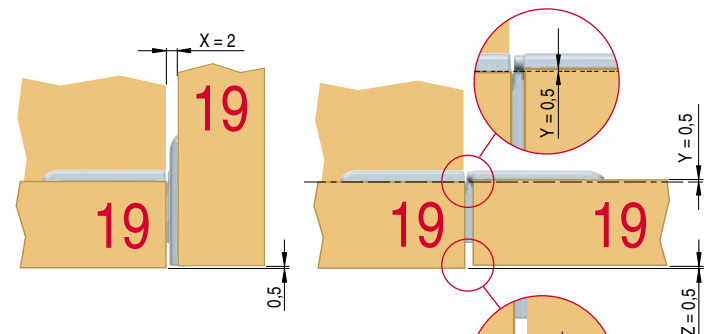
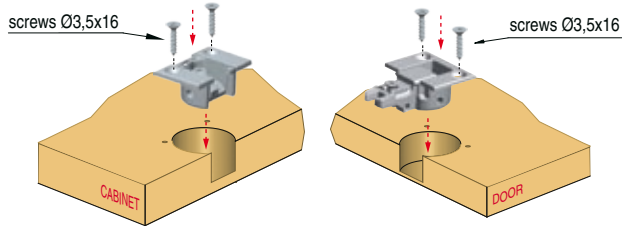


### WITH VERTICAL ADJUSTMENT + 1mm

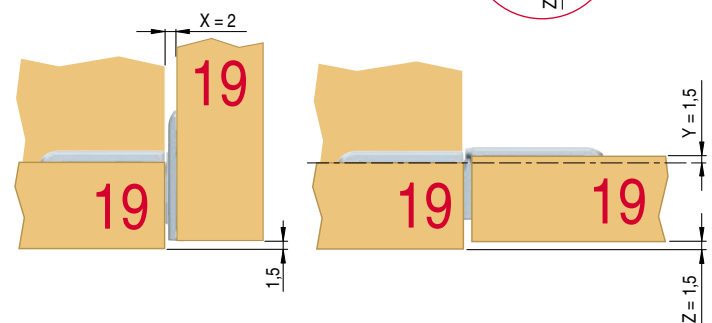


## CABINET 19mm WITHOUT ADAPTER - DOOR 19mm WITHOUT ADAPTER

### 0 + 2mm FURTHER VERTICAL ADJUSTMENT

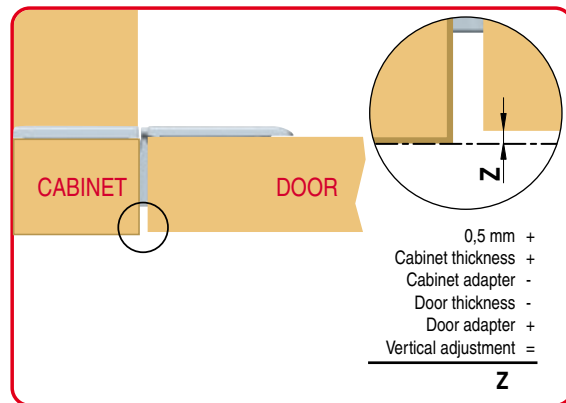
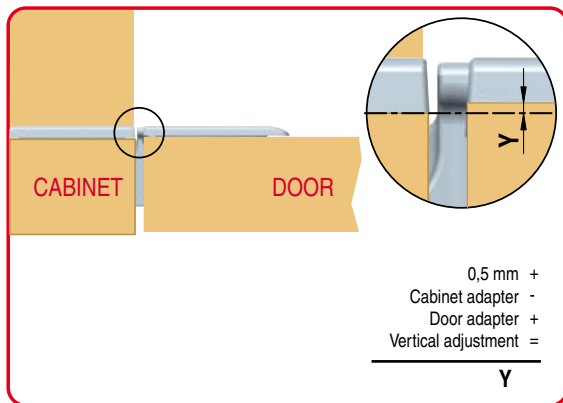
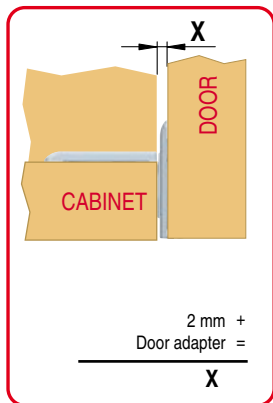


### WITH VERTICAL ADJUSTMENT + 1mm



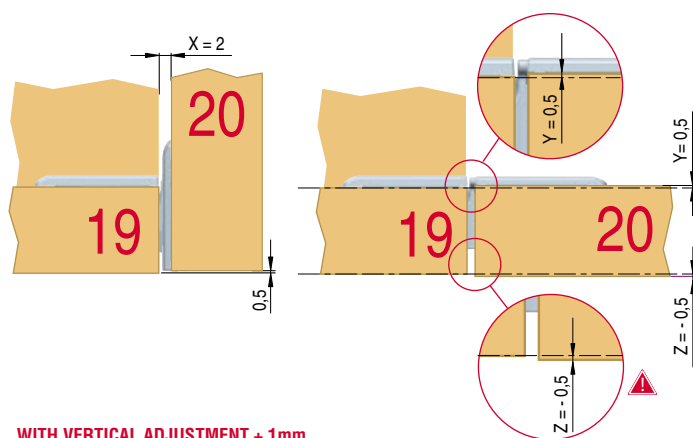
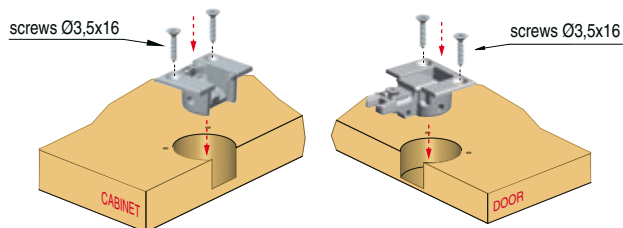


## CABINET 19mm THICK WITH DIFFERENT DOOR THICKNESSES

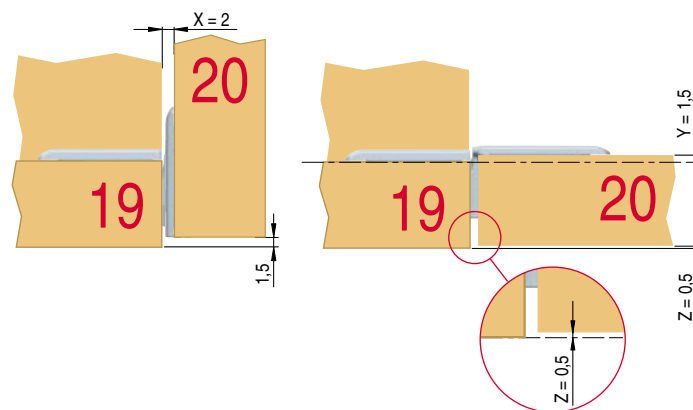


## CABINET 19mm WITHOUT ADAPTER - DOOR 20mm WITHOUT ADAPTER

### 0 + 2mm FURTHER VERTICAL ADJUSTMENT



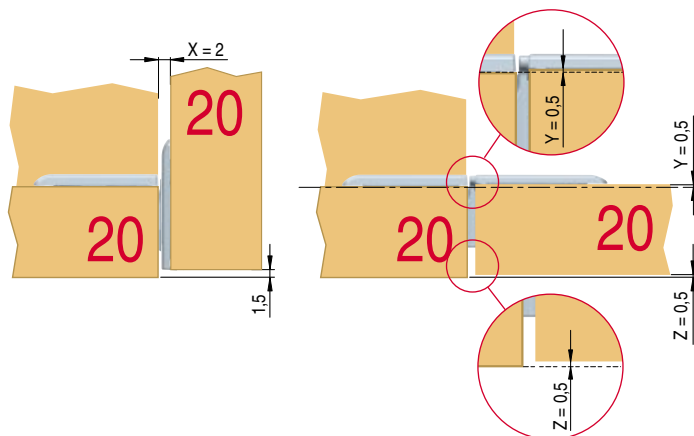
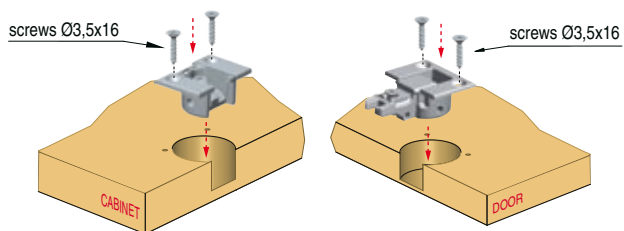
### WITH VERTICAL ADJUSTMENT + 1mm



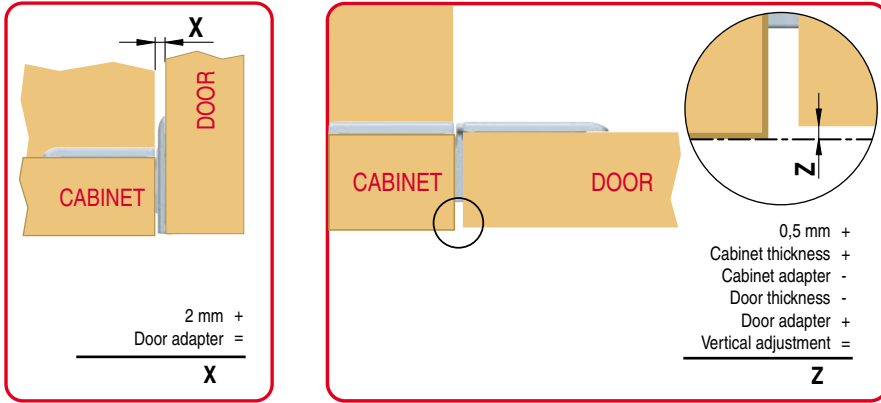
## CABINET 20mm THICK

## CABINET 20mm WITHOUT ADAPTER - DOOR 20mm WITHOUT ADAPTER

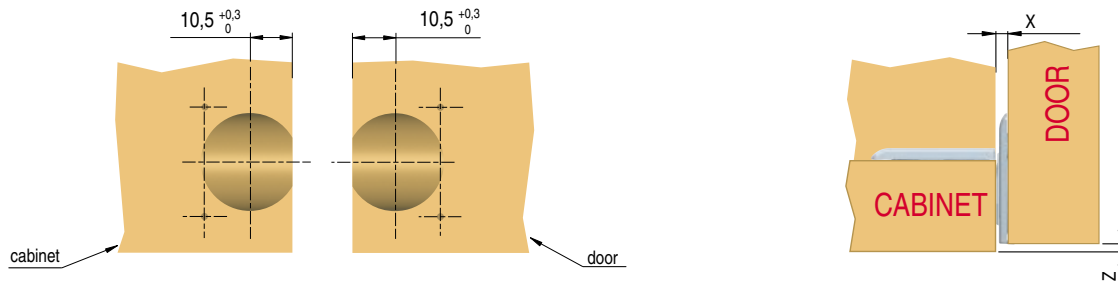
### 0 + 2mm FURTHER VERTICAL ADJUSTMENT



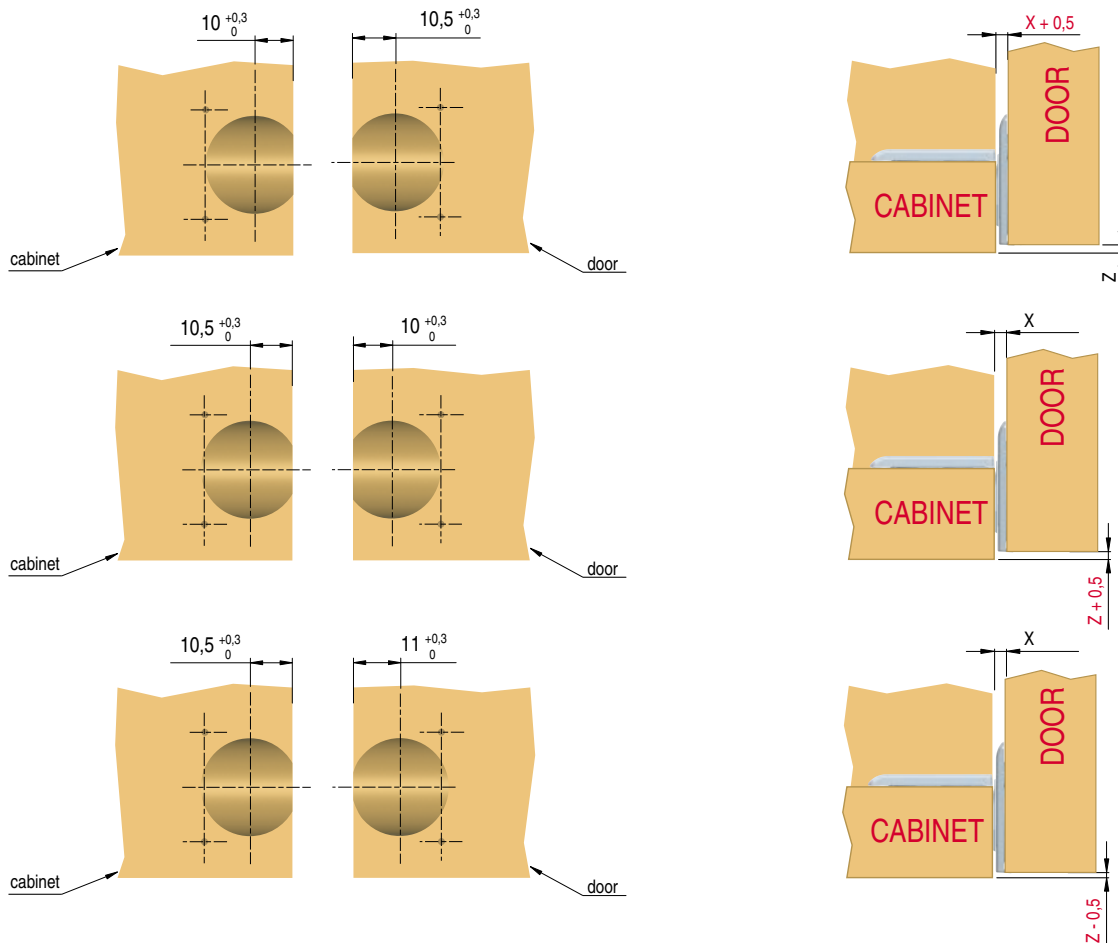
## DRILLING PLAN SUGGESTIONS TO MODIFY "X" AND "Z" WHEN THE DOOR IS CLOSED



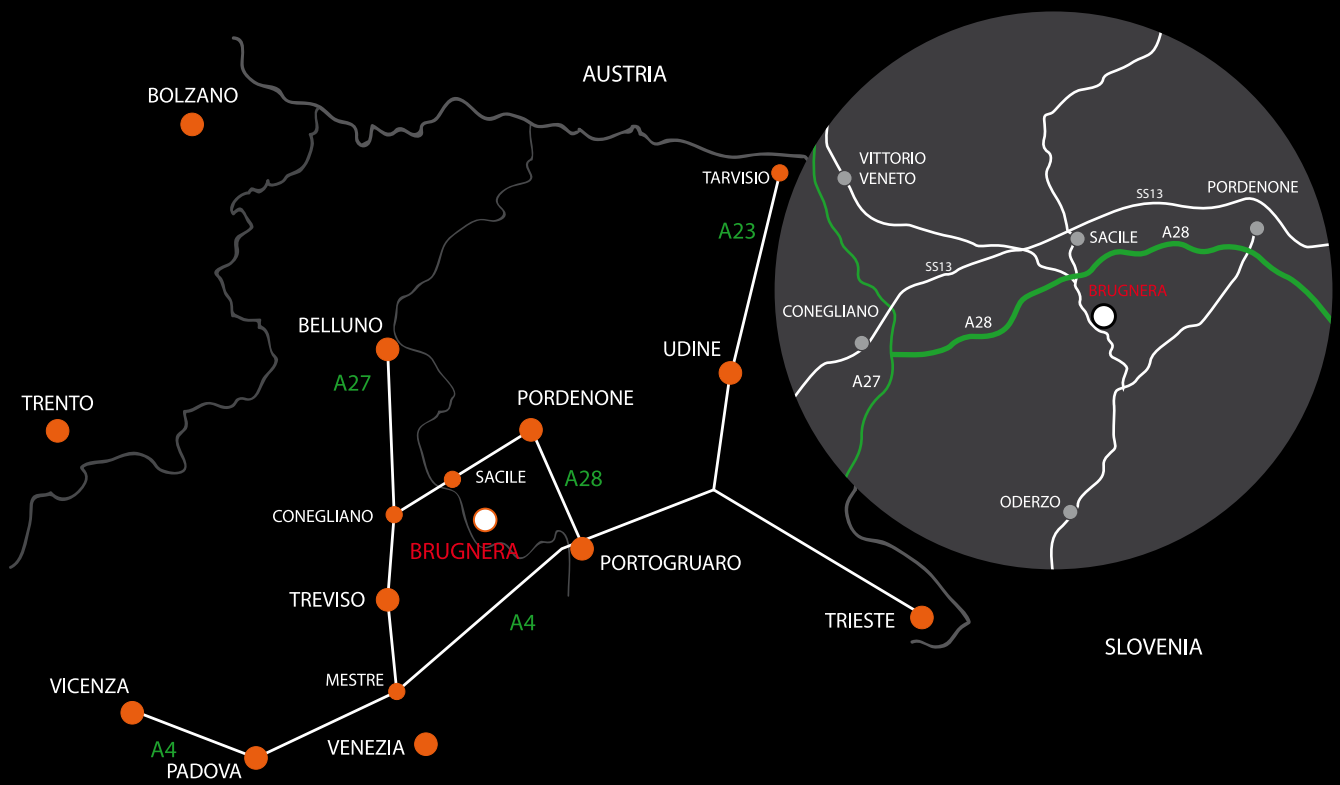
### STANDARD DRILLING PLAN



### ALTERNATIVE DRILLING PLANS







ITALIANA FERRAMENTA

Via Taglio n° 87 I - 33070 Maron di Brugnera (PN) Tel. +39 0434 428211 Fax +39 0434 428242 [www.italianaferramenta.com](http://www.italianaferramenta.com) [info@italianaferramenta.it](mailto:info@italianaferramenta.it)