

A (2 : 1)



Left version



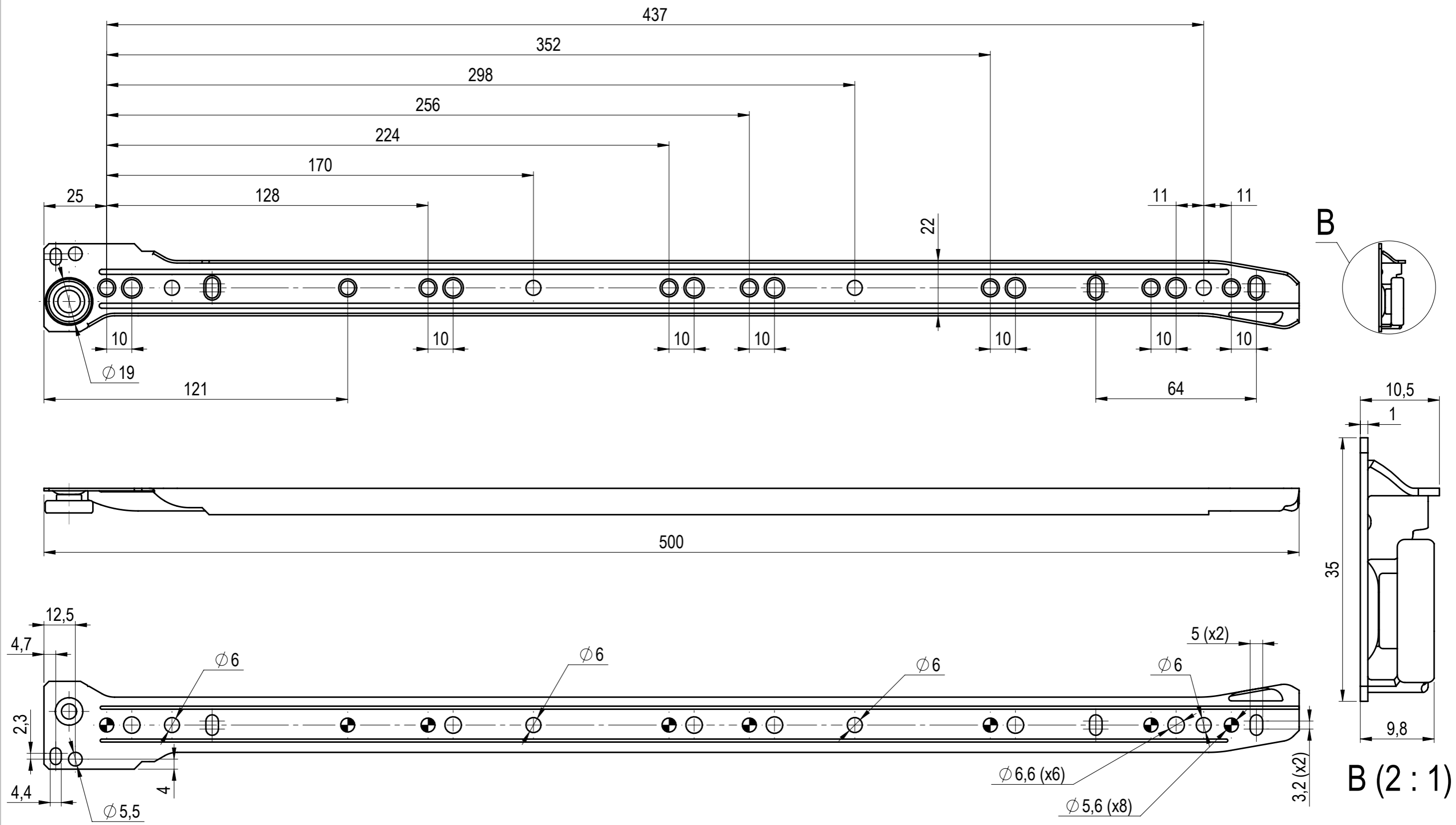
Right version


* - Informative dimensions

Revision	No of changes	Change description	Changed by	Approved by	Date
2	2	Outer part drawing redrawn from 5025008007 outer. Inner part drawing redrawn from 5025008007 inner.	PAL	VYZ	2018-01-24
1	1	Drawing description and no changed			2011-09-10

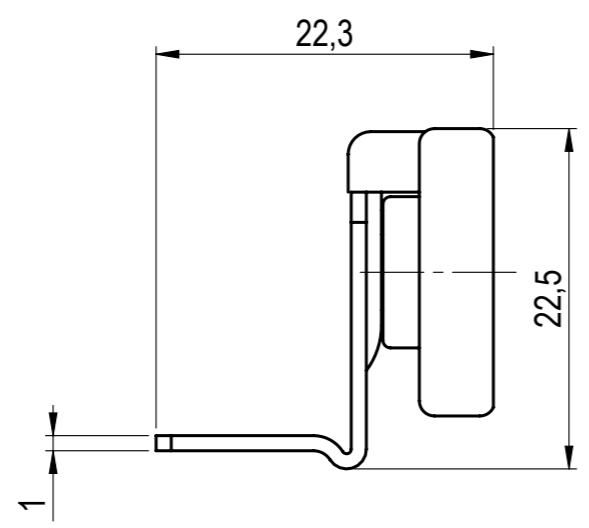
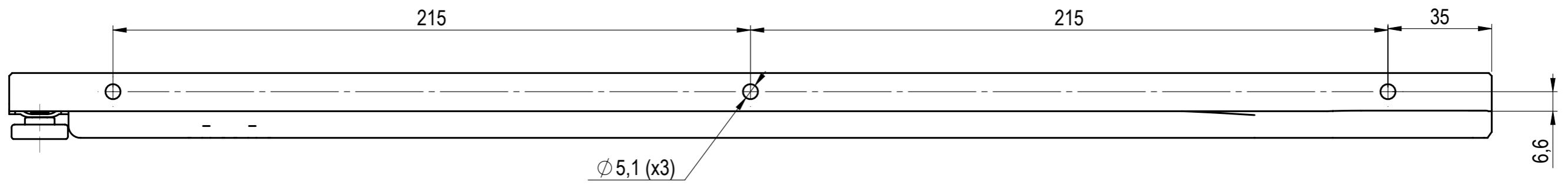
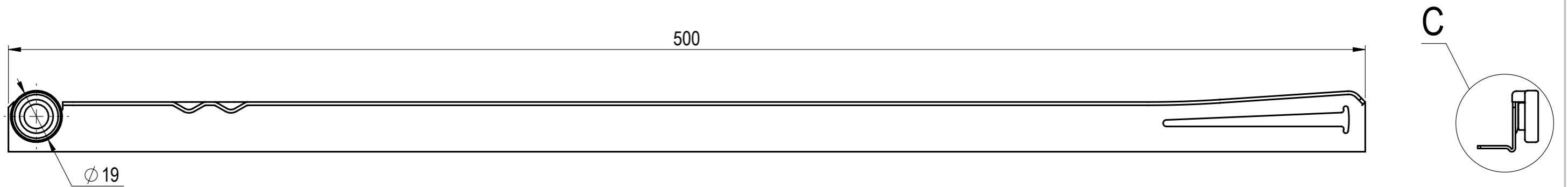
Approved: Vyz 2018-01-24	Design: Pal 2016-04-14	Drawing: Pal 2018-01-24	Calculated weight: 0.310kg	General Tolerance: ISO 2768-1 mk	Units: mm	Drawing number: 000010832	Revision: 2
			Material:		External Reference:		
			Description: M-runner L=500		Scale: 1:3	Format: A3	Sheet: 1/3

This drawing can't be reproduced or communicated without our prior permission




Approved: Vyz 2018-01-24	Design: Pal 2016-04-13	Drawing: Pal 2018-01-24	Calculated weight: 0.150kg.	General Tolerance: ISO 2768-1 mk	Units: mm	Drawing number: 000010832	Revision: 2
			Material:		External Reference:		
			Description: M-runner L=500 outer		Scale: 2:3	Format: A3	Sheet: 2/3

This drawing can't be reproduced or communicated without our prior permission



C (2 : 1)

Approved: Vyz 2018-01-24	Design: Pal 2016-04-14	Drawing: Pal 2018-01-24	Calculated weight: 0.160kg	General Tolerance: ISO 2768-1 mk	Units: mm	Drawing number: 000010832	Revision: 2
			Material:		External Reference:		
Description: M-runner L=500 inner			Scale: 2:3	Format: A3	Sheet: 3/3		