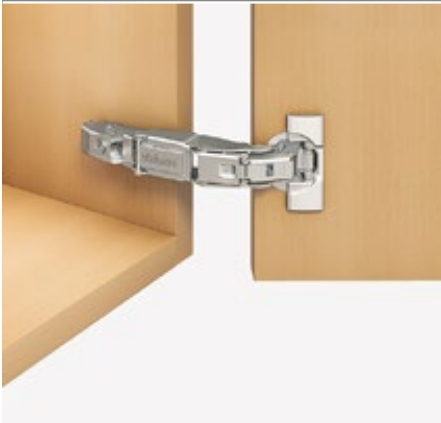


125° hinge

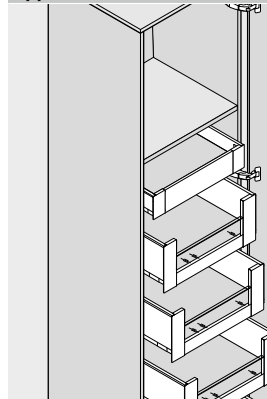


- 0-protrusion for overlay application (for cabinets with inner pull-outs or pull-out shelves)
- Hinge for thick doors and doors with profile
- CLIP top BLUMOTION with integrated BLUMOTION (with deactivation option)
- 125° opening angle
- 3-dimensional front adjustment
- Convenient spiral-tech depth adjustment
- Tool-free door to cabinet assembly and removal
- Suitable for special applications, e.g. mitred doors

Web code

DQDJIM

Application



Order information

Overlay application

0-protrusion

<input checked="" type="checkbox"/> Boss	<input type="checkbox"/> Screw-on		
Hinge	Spring	Colour	Part no.
CLIP top BLUMOTION	●	NI ONS	71B7550D

<input checked="" type="checkbox"/> Boss	<input type="checkbox"/> Knock-in		
Hinge	Spring	Colour	Part no.
CLIP top BLUMOTION	●	NI	71B7580D

Accessories

<input type="checkbox"/> Hinge arm cover cap			
Print Stamp	Logo	Colour	Part no.
Plain	–	NI ONS	70.4503
Stamped	Blum	NI	70.4503.BP

Accessories – General

<input type="checkbox"/> Opening angle stop		
Opening angle OW	Colour	Part no.
92°	R7037	70T7553

<input type="checkbox"/> Chipboard screws		
Length (mm)	Diameter (mm)	Part no.
15.0	Ø 3.5	609.1500
17.0		609.1700

Spring	<input checked="" type="checkbox"/> Hinge with spring
--------	---

<input type="checkbox"/> Hinge boss cover cap		
Hinge	Colour	Part no.
CLIP top BLUMOTION	NI ONS	70T7504

<input type="checkbox"/> Hinge boss spacing		
Hinge	Spacing (mm)	Part no.
CLIP top BLUMOTION	1.5	70T3507.21

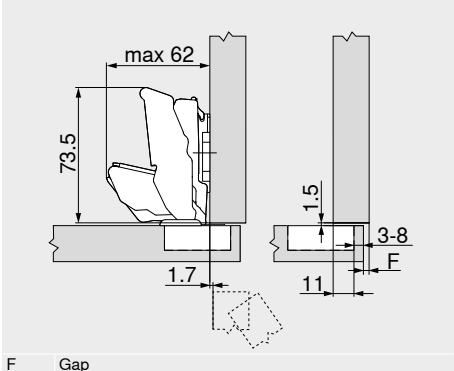
Colour	NI Nickel plated
ONS	Onyx black
OR	Orange
R7037	RAL 7037 dust grey

<input type="checkbox"/> Insertion ram		
Colour	Material	Part no.
OR	Nylon	MZM.0040

125° hinge Web code
DQDJIM

Planning
Hinge dimensions and gap calculation based on factory setting (mounting plate spacing = 0 mm)
 Hinge and front protrusion at 90° opening angle

Overlay application
0-protrusion



Drilling distance TB

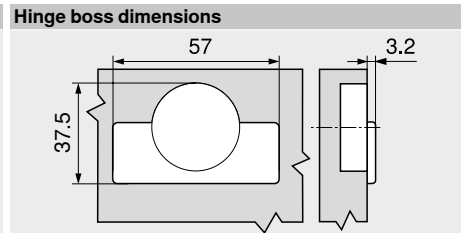
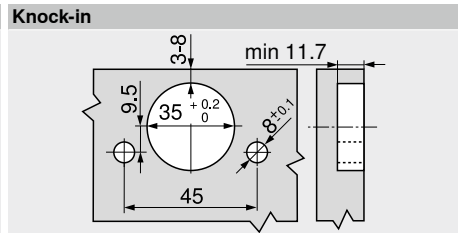
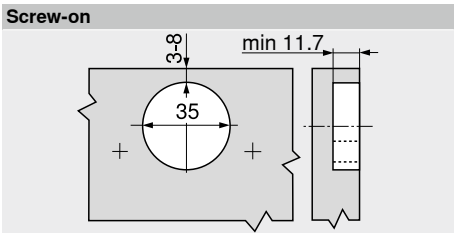
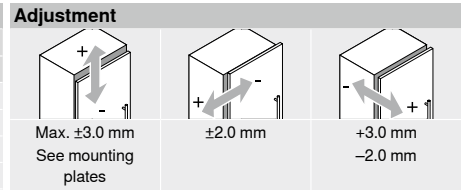
MD	Front overlay FA (mm)																		
	5	6	7	8	9	10	11	12	13	14	15	16	17	18	19				
0													3	4	5	6	7	8	
3								3	4	5	6	7	8						
6				3	4	5	6	7	8										
9	3	4	5	6	7	8													

MD Mounting plate spacing (mm)

Minimum gap F for fronts with a front radius (R = 1 mm) based on the factory setting

Drilling distance TB (mm)	Front thickness FD (mm)											
	29	30	31	32	33	34	35	36	37	38	39	40
3	0	0	0	0.1	0.3	0.7	1.2	2.0	2.8	4.1	5.7	
4	0	0	0	0.1	0.4	0.8	1.5	2.3	3.4	4.9		
5	0	0	0	0.1	0.4	1.0	1.7	2.8	4.2			
6	0	0	0	0.1	0.6	1.2	2.1	3.5				
7	0	0	0	0.2	0.7	1.6	2.8					
8	0	0	0	0.3	1.0	2.0						

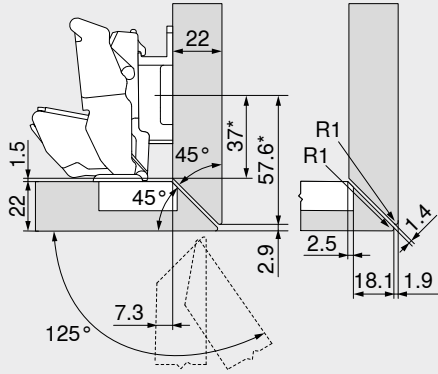
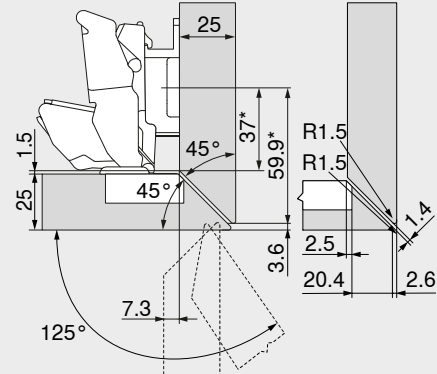
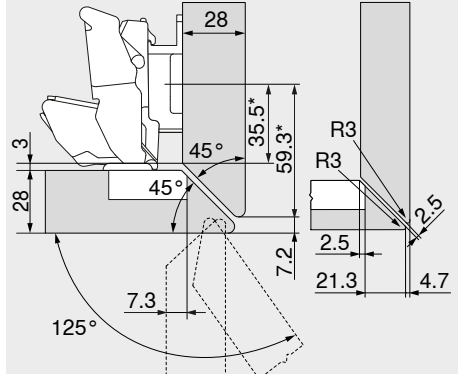
We recommend a trial application for an overlay application against a wall
 92° Opening angle stop



Reference pages

Overview	71	Assembly, removal and adjustment	
Mounting plates	144		
Accessories – Hinge arm cover cap	151	Short URL www.blum.com/a210	
Accessories – General	153		
E-SERVICES and assembly devices	590		
More technical details	698		

125° hinge
Web code
DQDJIM
Planning
Special application
Mitred application – all 4 edges

22 mm

25 mm

28 mm

Hinge for overlay applications

* Dimension for mounting plate with dimension A = 37 mm

Description	Spacing (mm)	Part no.
Mounting plate	9	175H7190

Hinge for overlay applications

* Dimension for mounting plate with dimension A = 37 mm

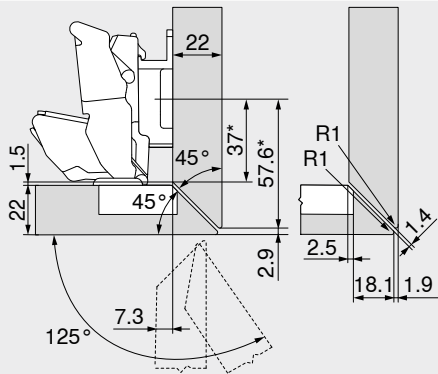
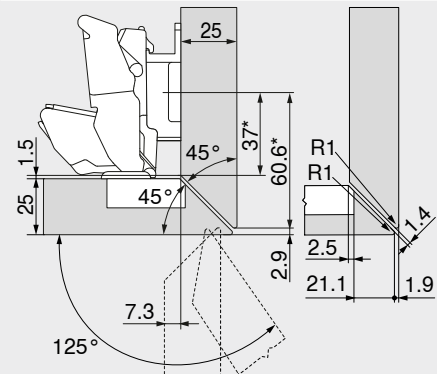
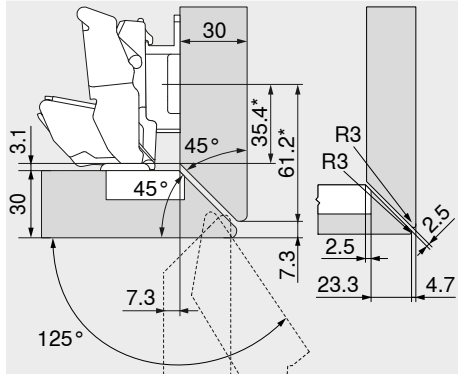
Description	Spacing (mm)	Part no.
Mounting plate	9	175H7190

Hinge for overlay applications

* Dimension for mounting plate with dimension A = 37 mm

Description	Spacing (mm)	Part no.
Mounting plate	9	175H7190

Mitred application – side

22 mm

25 mm

30 mm

Hinge for overlay applications

* Dimension for mounting plate with dimension A = 37 mm

Description	Spacing (mm)	Part no.
Mounting plate	9	175H7190

Hinge for overlay applications

* Dimension for mounting plate with dimension A = 37 mm

Description	Spacing (mm)	Part no.
Mounting plate	9	175H7190

Hinge for overlay applications

* Dimension for mounting plate with dimension A = 37 mm

Description	Spacing (mm)	Part no.
Mounting plate	9	175H7190

125° hinge Web code
DQDJIM

Planning
Special application

Mitred application – side, with large overlay

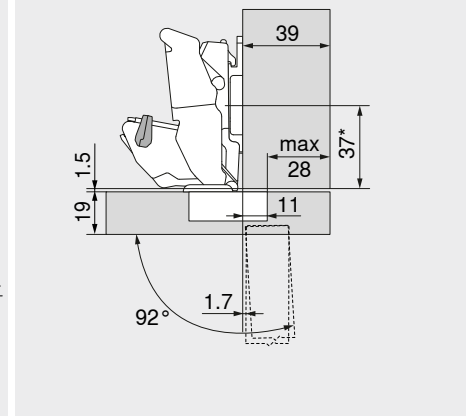
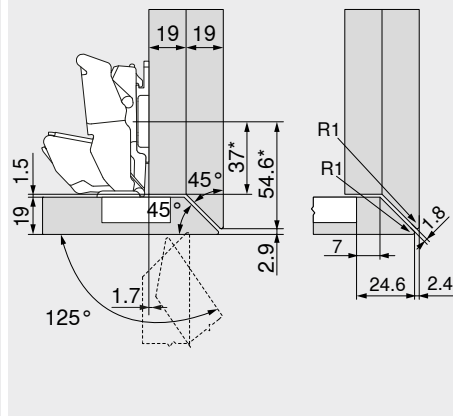
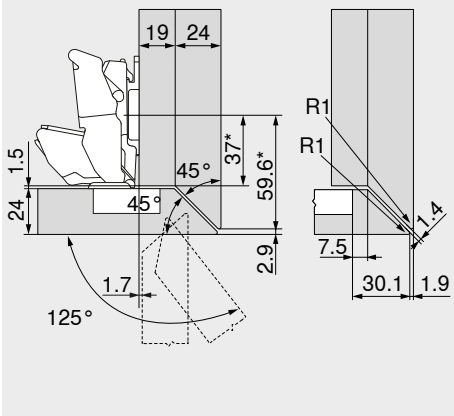
Mitred application – all 4 edges, with large overlay

Front overlay max.

19/24 mm

19/19 mm

39 mm



Hinge for overlay applications
Standard mounting plates with 0 mm spacing

Hinge for overlay applications
Standard mounting plates with 0 mm spacing

Hinge for overlay applications
Standard mounting plates with 0 mm spacing

* Dimension for mounting plate with dimension A = 37 mm

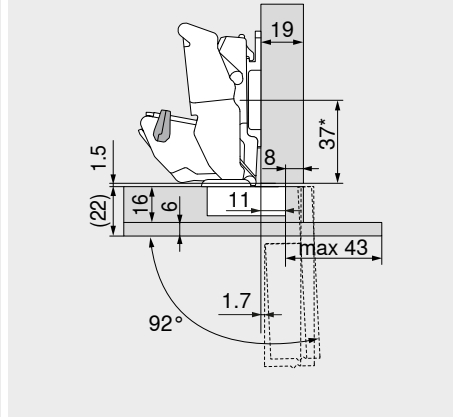
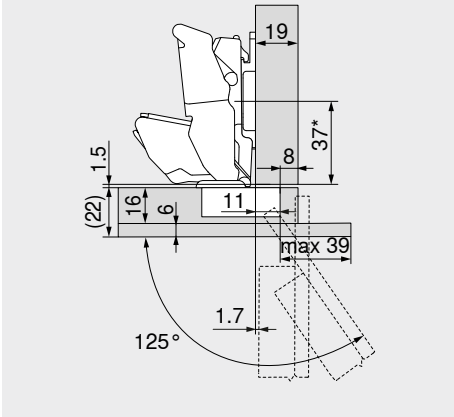
* Dimension for mounting plate with dimension A = 37 mm

Description	Opening angle OW	Part no.
Opening angle stop	92°	70T7553
You can select any front thickness FD for a free-standing cabinet		
We recommend a trial application for a neighbouring front or an overlay application on the wall.		

Thin materials – protruding

16 + 6 mm

16 + 6 mm



Hinge for overlay applications
Standard mounting plates with 0 mm spacing

Hinge for overlay applications
Standard mounting plates with 0 mm spacing

* Dimension for mounting plate with dimension A = 37 mm

Description	Opening angle OW	Part no.
Opening angle stop	92°	70T7553